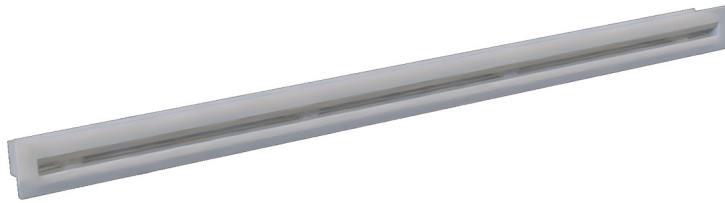


Linear diffuser in anti-condensation PVC with damper - 1 slot

- cod. PWD301487 - cod. PWD301496 - cod. PWD301505
- cod. PWD301514 - cod. PWD301523



DESCRIPTION

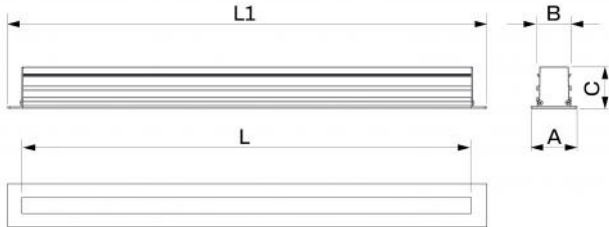
Visible linear diffuser in anti-condensate PVC with adjustable calibration damper with 1 slot, white. Diffusers are used in places where the ceiling design has to be assured, such as offices, meeting rooms and hotels, ensuring uniform air diffusion and high thermal induction. In contrast to aluminium, due to its physical characteristics PVC does not produce condensate; this avoids the formation of fungi, mould and bacteria inside the diffuser and ensures excellent wall insulation. It is fixed to the plenum, which can be purchased separately, using front screws and mobile C brackets. The damper is used to control the required amount of air and can be calibrated using a screwdriver.

APPLICATIONS

Diffuser ideal for wall or ceiling installations, in delivery ONLY.

ACCESSORIES

- Plenum in insulated galvanised metal sheet, can be purchased separately.
- Continuity kit, can be purchased separately.



DIMENSIONS

| CODE | L [mm] | L1 [mm] | A [mm] | B [mm] | C [mm] |
|-----------|--------|---------|--------|--------|--------|
| PWD301487 | 600 | 645 | 66 | 49 | 60 |
| PWD301496 | 800 | 845 | 66 | 49 | 60 |
| PWD301505 | 1000 | 1045 | 66 | 49 | 60 |
| PWD301514 | 1500 | 1545 | 66 | 49 | 60 |
| PWD301523 | 2000 | 2045 | 66 | 49 | 60 |

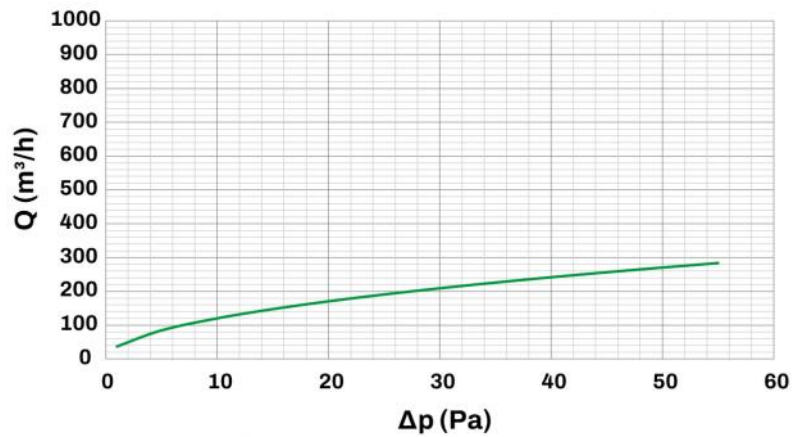
INFORMATION

Measures are indicated in millimetres (mm), unless otherwise specified.

TECHNICAL DATA

| TECHNICAL SPECIFICATIONS | |
|--------------------------|---------------------|
| Material: | Anti-condensate PVC |
| Colour: | White |
| Flammability rating: | V0 |
| Operating temperature | -30°C ... +60°C |

LOAD CAPACITY AND PRESSURE DROP CURVES

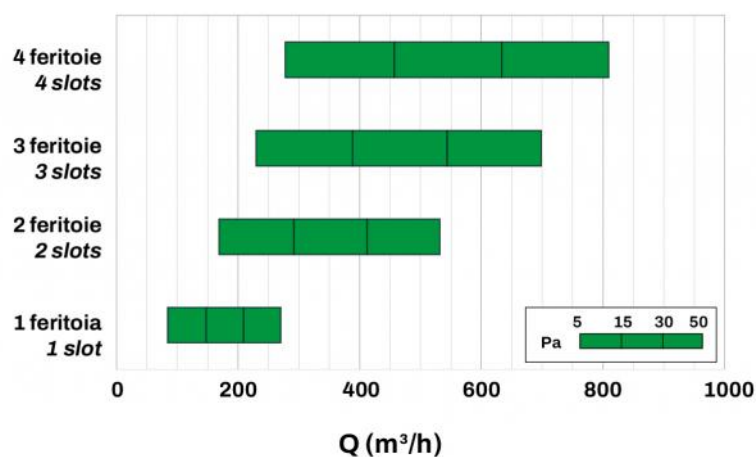


| Ak [m²] | Qv min [m³/h] | Qv max [m³/h] | Lwa min [dB(A)] | Lwa max [dB(A)] | DP min [Pa] | DP max [Pa] |
|---------|---------------|---------------|-----------------|-----------------|-------------|-------------|
| 0.021 | 120 | 270 | 32 | 46 | 10 | 50 |

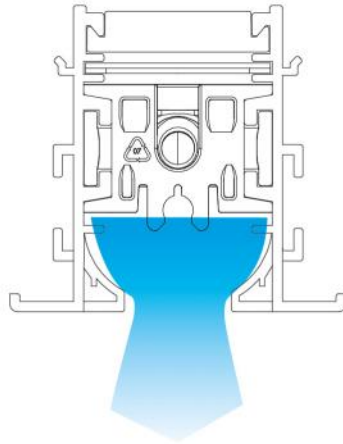
INFORMATION

The table data refer to 1000 mm long visible linear diffusers

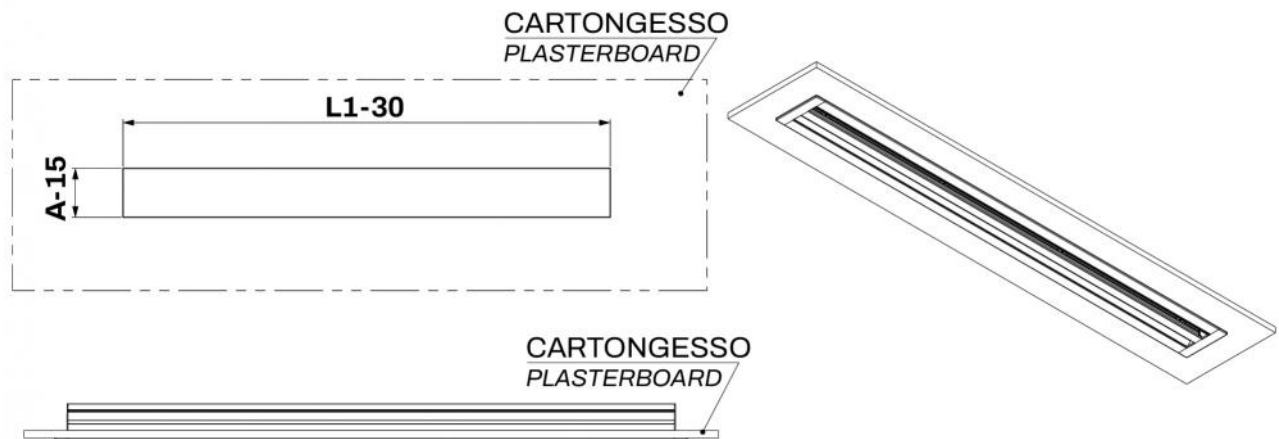
SHORTCUT DIAGRAM



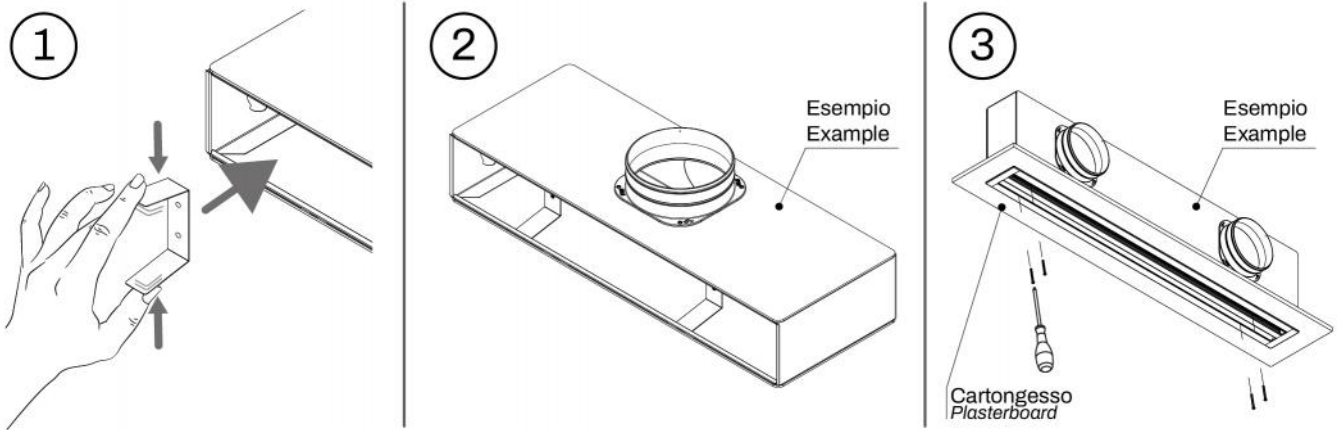
EXAMPLE OF VERTICAL FLOW



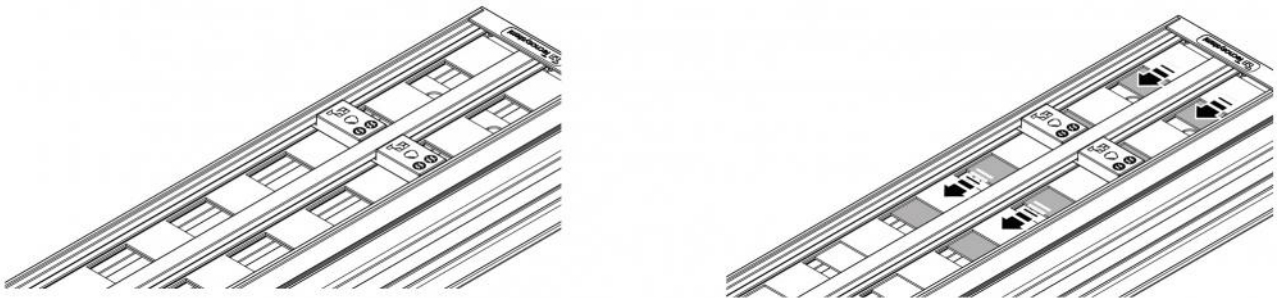
BUILT-IN INSTALLATION BOX FOR WALLS



EXAMPLE OF INSTALLATION:

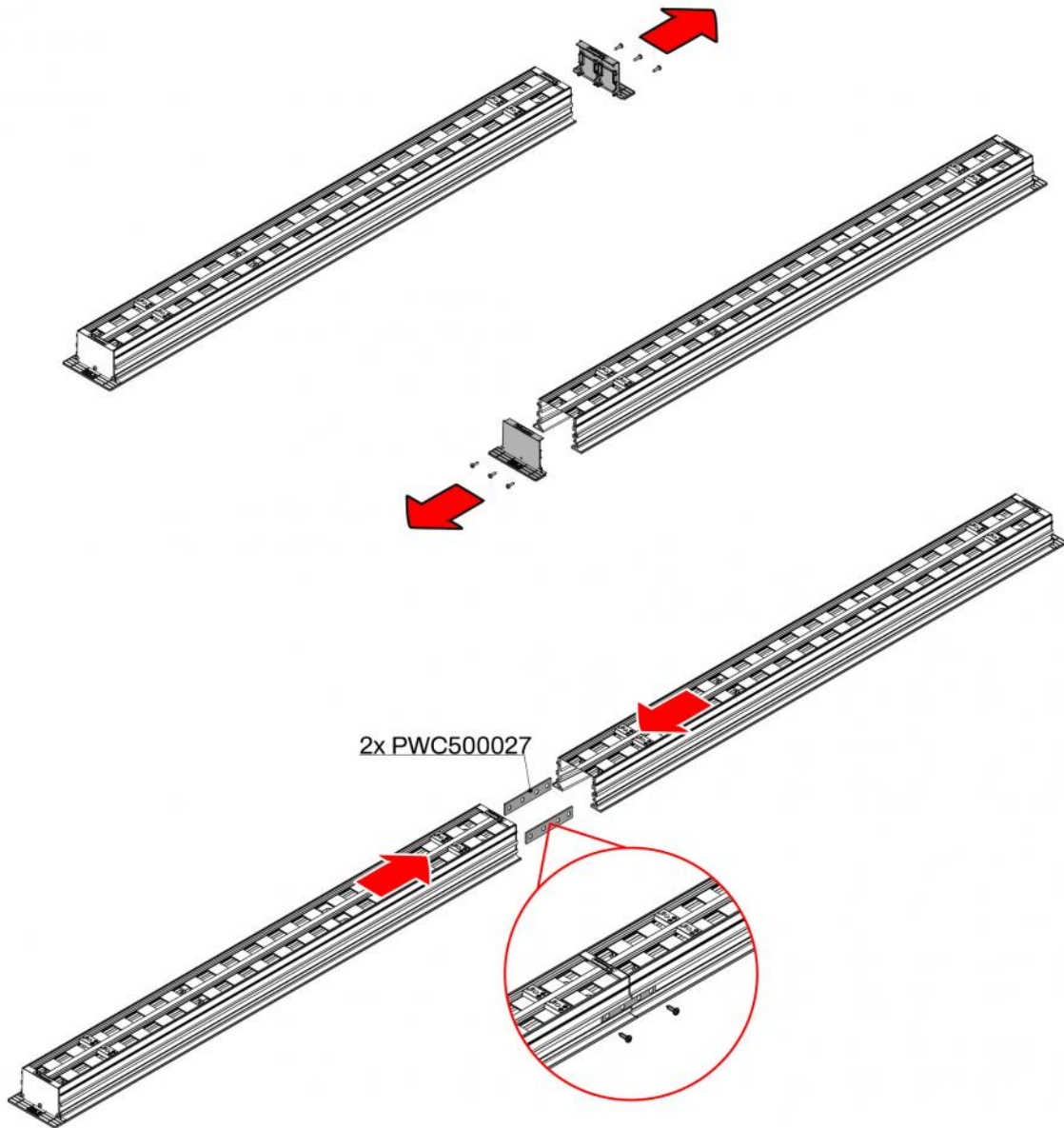


DAMPER ADJUSTMENT



Use a screwdriver to adjust the damper, acting beneath the diffuser.

EXAMPLE OF CONTINUITY KIT FIXING



ITEMS

| CODE | DESCRIPTION |
|-----------|---|
| PWD301487 | LINEAR DIFFUSOR IN ANTI-CONDENSING PVC WITH DAMPER L600mm 1 SLOT WHITE |
| PWD301496 | LINEAR DIFFUSOR IN ANTI-CONDENSING PVC WITH DAMPER L800mm 1 SLOT WHITE |
| PWD301505 | LINEAR DIFFUSOR IN ANTI-CONDENSING PVC WITH DAMPER L1000mm 1 SLOT WHITE |
| PWD301514 | LINEAR DIFFUSOR IN ANTI-CONDENSING PVC WITH DAMPER L1500mm 1 SLOT WHITE |
| PWD301523 | LINEAR DIFFUSOR IN ANTI-CONDENSING PVC WITH DAMPER L2000mm 1 SLOT WHITE |

All rights relating to this publication are the exclusive property of Tecnosystemi SpA.
 Tecnosystemi SpA reserves the right to make changes at any time and without notice, for technical or commercial needs.