

Linear diffuser in anti-condensation PVC with damper - 2 slots

- cod. PWD301490 - cod. PWD301499 - cod. PWD301508
- cod. PWD301517 - cod. PWD301526



DESCRIPTION

Visible linear diffuser in anti-condensate PVC with adjustable calibration damper with 2 slots, white. Diffusers are used in places where the ceiling design has to be assured, such as offices, meeting rooms and hotels, ensuring uniform air diffusion and high thermal induction. In contrast to aluminium, due to its physical characteristics PVC does not produce condensate; this avoids the formation of fungi, mould and bacteria inside the diffuser and ensures excellent wall insulation. It is fixed to the plenum, which can be purchased separately, using front screws and mobile C brackets. The damper is used to control the required amount of air and can be calibrated using a screwdriver.

APPLICATIONS

Diffuser ideal for wall or ceiling installations, in delivery ONLY.

ACCESSORIES

- Plenum in insulated galvanised metal sheet, can be purchased separately.
- Continuity kit, can be purchased separately.



DIMENSIONS

CODE	L [mm]	L1 [mm]	A [mm]	B [mm]	C [mm]
PWD301490	600	645	105	88	60
PWD301499	800	845	105	88	60
PWD301508	1000	1045	105	88	60
PWD301517	1500	1545	105	88	60
PWD301526	2000	2045	105	88	60

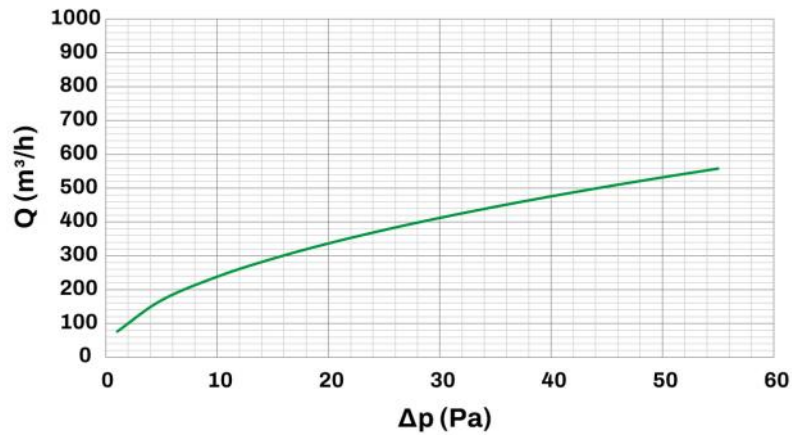
INFORMATION

Measures are indicated in millimetres (mm), unless otherwise specified.

TECHNICAL DATA

TECHNICAL SPECIFICATIONS	
Material:	Anti-condensate PVC
Colour:	White
Flammability rating:	V0
Operating temperature	-30°C ... +60°C

LOAD CAPACITY AND PRESSURE DROP CURVES

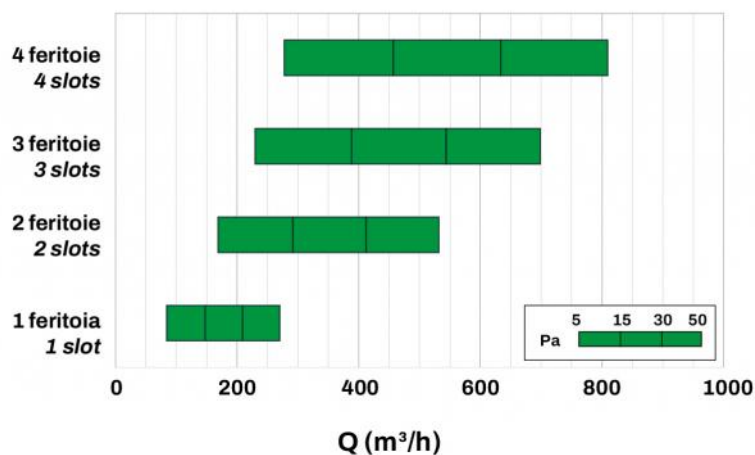


Ak [m²]	Qv min [m³/h]	Qv max [m³/h]	Lwa min [dB(A)]	Lwa max [dB(A)]	DP min [Pa]	DP max [Pa]
0.042	240	530	33	47	10	50

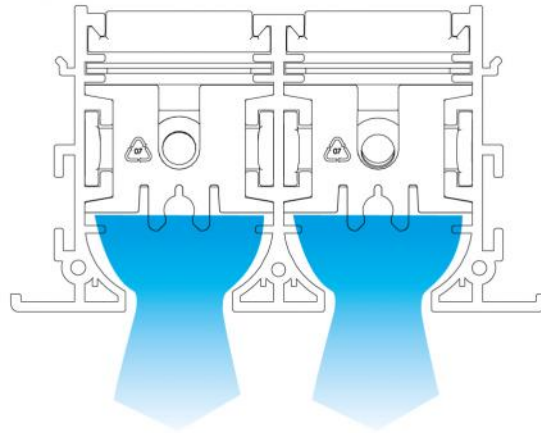
INFORMATION

The table data refer to 1000 mm long visible linear diffusers

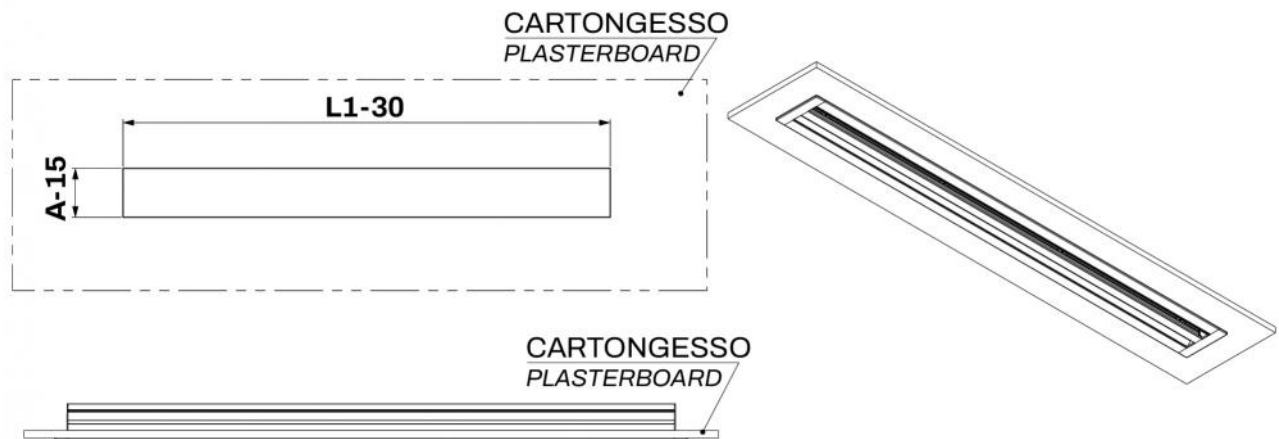
SHORTCUT DIAGRAM



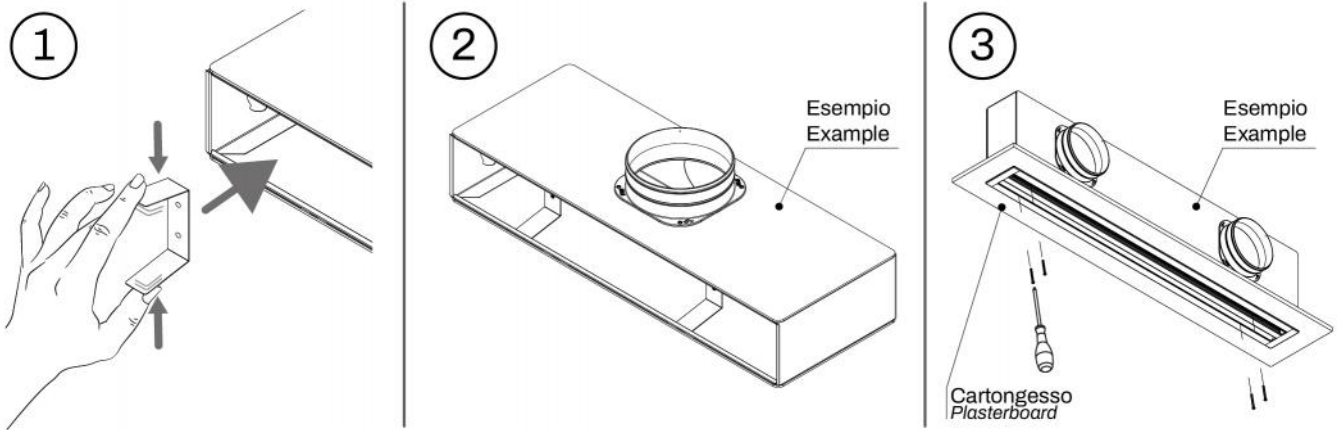
EXAMPLE OF VERTICAL FLOW



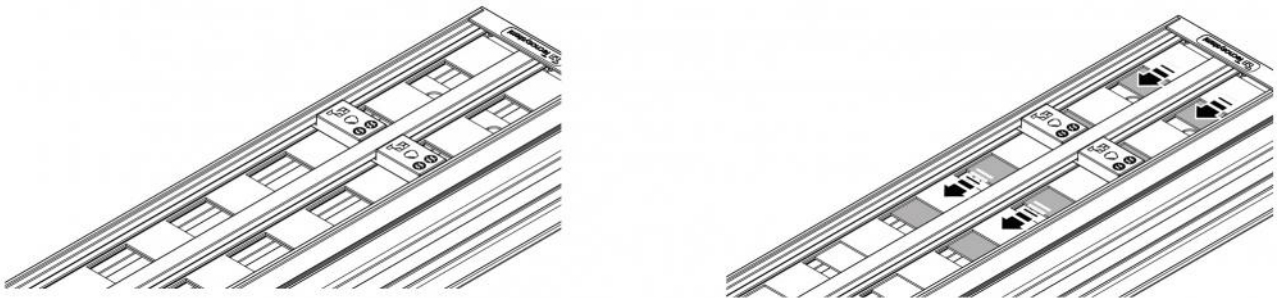
BUILT-IN INSTALLATION BOX FOR WALLS



EXAMPLE OF INSTALLATION:

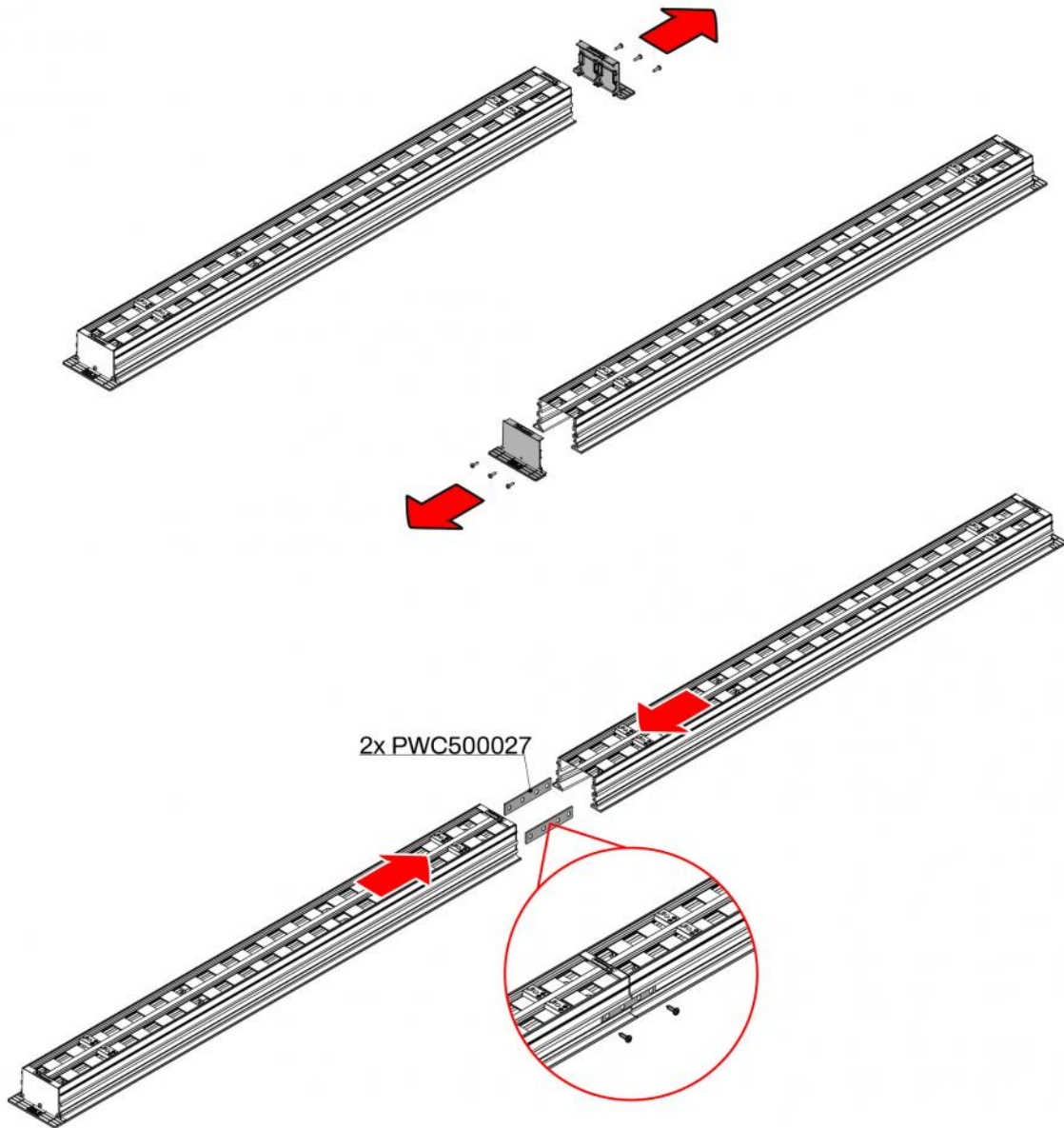


DAMPER ADJUSTMENT



Use a screwdriver to adjust the damper, acting beneath the diffuser.

EXAMPLE OF CONTINUITY KIT FIXING



ITEMS

CODE	DESCRIPTION
PWD301490	LINEAR DIFFUSOR IN ANTI-CONDENSING PVC WITH DAMPER L600mm 2 SLOTS WHITE
PWD301499	LINEAR DIFFUSOR IN ANTI-CONDENSING PVC WITH DAMPER L800mm 2 SLOTS WHITE
PWD301508	LINEAR DIFFUSOR IN ANTI-CONDENSING PVC WITH DAMPER L1000mm 2 SLOTS WHITE
PWD301517	LINEAR DIFFUSOR IN ANTI-CONDENSING PVC WITH DAMPER L1500mm 2 SLOTS WHITE
PWD301526	LINEAR DIFFUSOR IN ANTI-CONDENSING PVC WITH DAMPER L2000mm 2 SLOTS WHITE

All rights relating to this publication are the exclusive property of Tecnosystemi SpA.
 Tecnosystemi SpA reserves the right to make changes at any time and without notice, for technical or commercial needs.