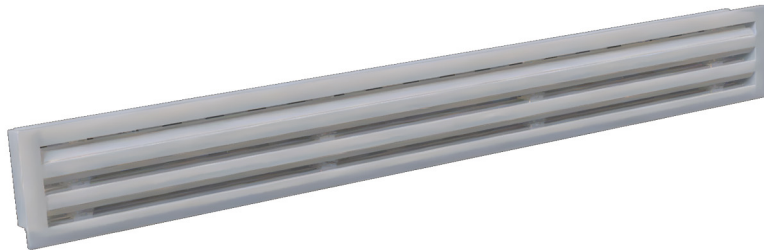


Linear diffuser in anti-condensation PVC with damper - 3 slots

- cod. PWD301493 - cod. PWD301502 - cod. PWD301511
- cod. PWD301520 - cod. PWD301529



DESCRIPTION

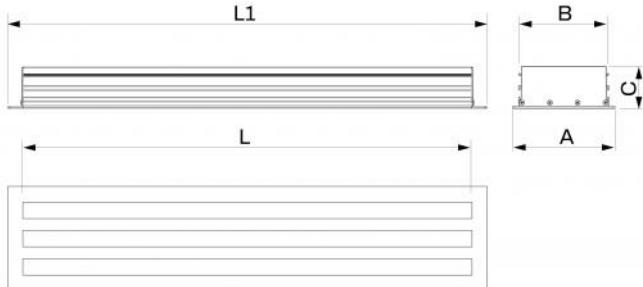
Visible linear diffuser in anti-condensate PVC with adjustable calibration damper with 3 slots, white. Diffusers are used in places where the ceiling design has to be assured, such as offices, meeting rooms and hotels, ensuring uniform air diffusion and high thermal induction. In contrast to aluminium, due to its physical characteristics PVC does not produce condensate; this avoids the formation of fungi, mould and bacteria inside the diffuser and ensures excellent wall insulation. It is fixed to the plenum, which can be purchased separately, using front screws and mobile C brackets. The damper is used to control the required amount of air and can be calibrated using a screwdriver.

APPLICATIONS

Diffuser ideal for wall or ceiling installations, in delivery ONLY.

ACCESSORIES

- Plenum in insulated galvanised metal sheet, can be purchased separately.
- Continuity kit, can be purchased separately.



DIMENSIONS

CODE	L [mm]	L1 [mm]	A [mm]	B [mm]	C [mm]
PWD301493	600	645	144	127	60
PWD301502	800	845	144	127	60
PWD301511	1000	1045	144	127	60
PWD301520	1500	1545	144	127	60
PWD301529	2000	2045	144	127	60

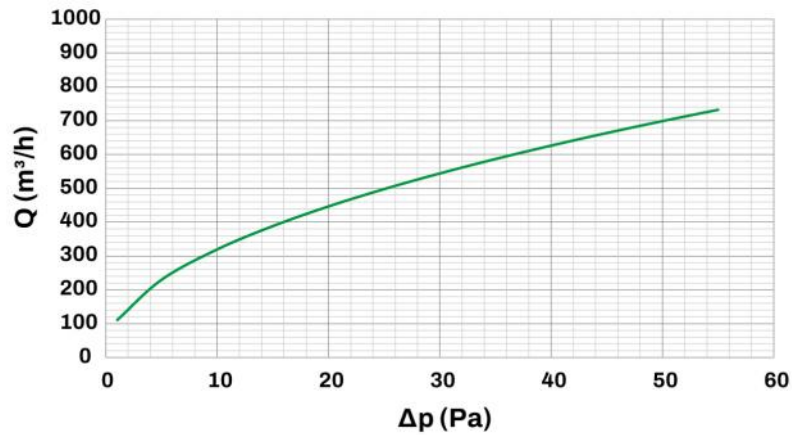
INFORMATION

Measures are indicated in millimetres (mm), unless otherwise specified.

TECHNICAL DATA

TECHNICAL SPECIFICATIONS	
Material:	Anti-condensate PVC
Colour:	White
Flammability rating:	V0
Operating temperature	-30°C ... +60°C

LOAD CAPACITY AND PRESSURE DROP CURVES

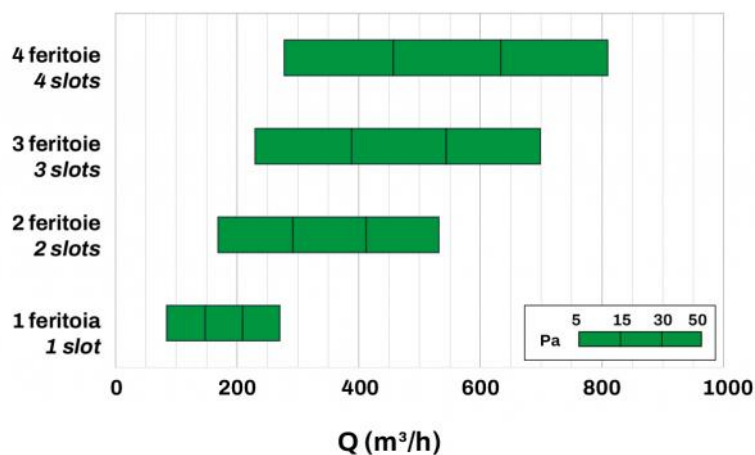


Ak [m²]	Qv min [m³/h]	Qv max [m³/h]	Lwa min [dB(A)]	Lwa max [dB(A)]	DP min [Pa]	DP max [Pa]
0.063	320	700	34	48	10	50

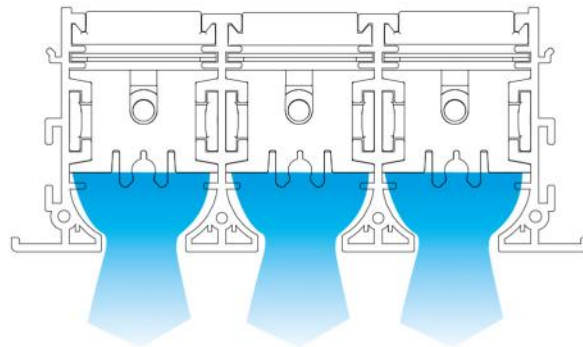
INFORMATION

The table data refer to 1000 mm long visible linear diffusers

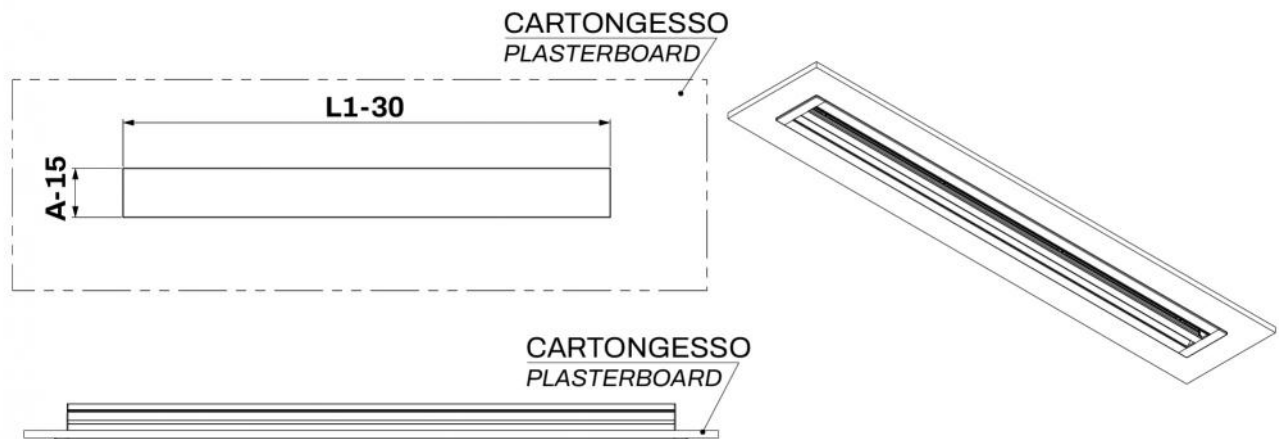
SHORTCUT DIAGRAM



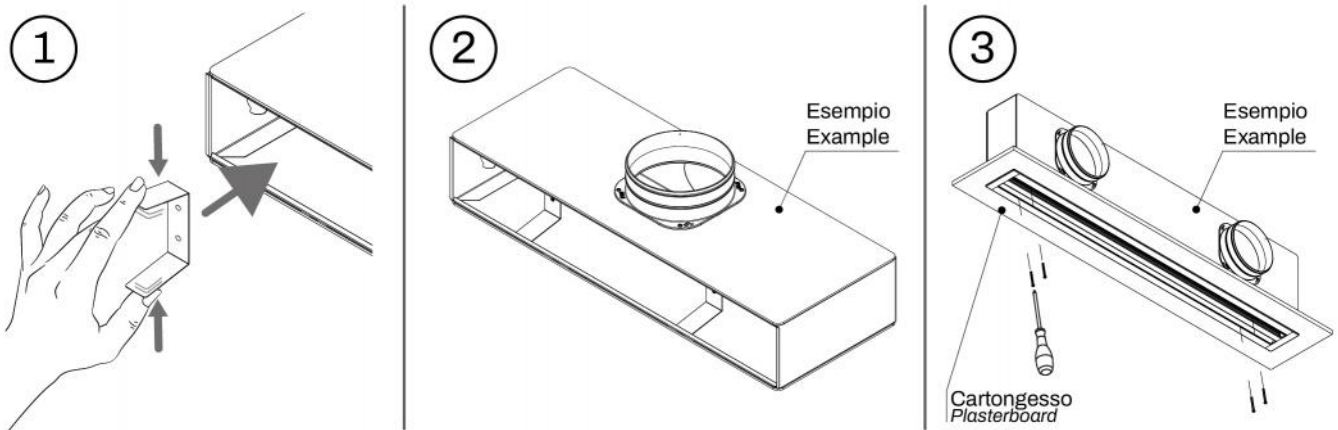
EXAMPLE OF VERTICAL FLOW



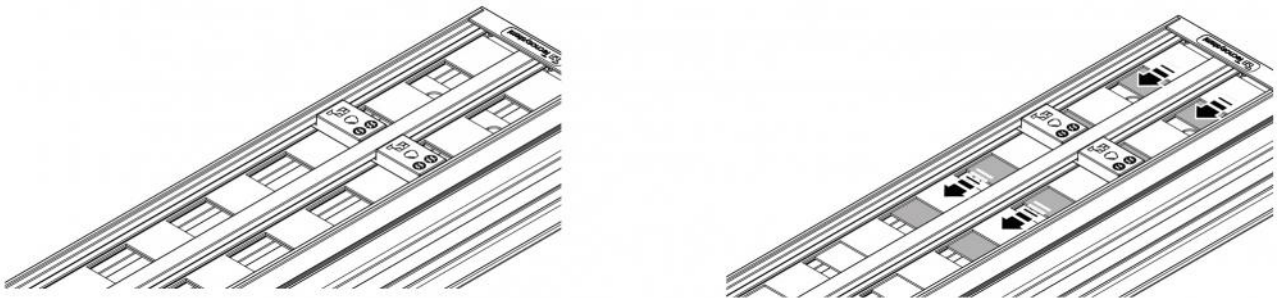
BUILT-IN INSTALLATION BOX FOR WALLS



EXAMPLE OF INSTALLATION:

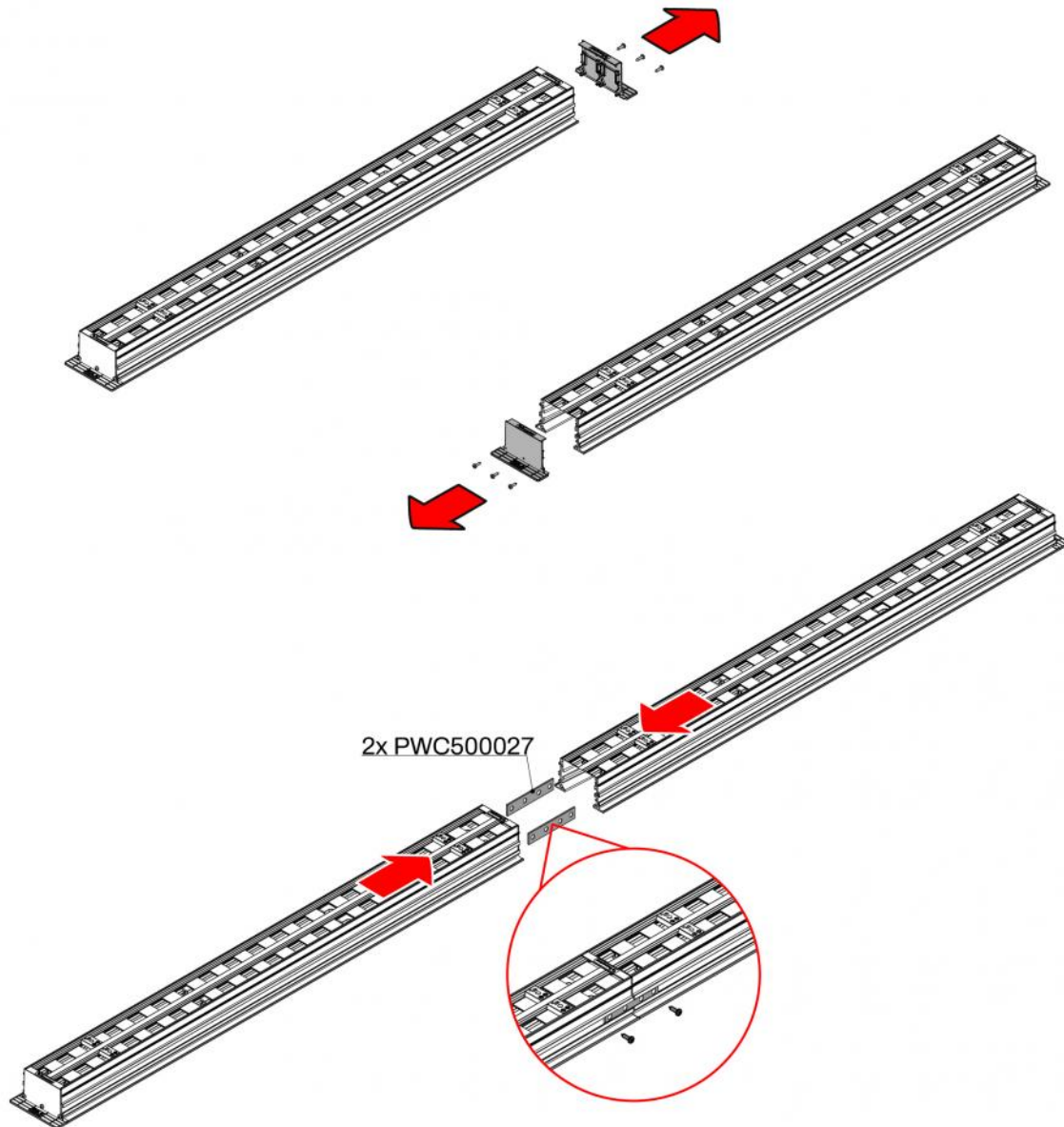


DAMPER ADJUSTMENT



Use a screwdriver to adjust the damper, acting beneath the diffuser.

EXAMPLE OF CONTINUITY KIT FIXING



ITEMS

CODE	DESCRIPTION
PWD301493	LINEAR DIFFUSOR IN ANTI-CONDENSING PVC WITH DAMPER 3 SLOTS L600mm WHITE
PWD301502	LINEAR DIFFUSOR IN ANTI-CONDENSING PVC WITH DAMPER 3 SLOTS L800mm WHITE
PWD301511	LINEAR DIFFUSOR IN ANTI-CONDENSING PVC WITH DAMPER 3 SLOTS L1000mm WHITE
PWD301520	LINEAR DIFFUSOR IN ANTI-CONDENSING PVC WITH DAMPER 3 SLOTS L1500mm WHITE
PWD301529	LINEAR DIFFUSOR IN ANTI-CONDENSING PVC WITH DAMPER 3 SLOTS L2000mm WHITE

All rights relating to this publication are the exclusive property of Tecnosystemi SpA.
 Tecnosystemi SpA reserves the right to make changes at any time and without notice, for technical or commercial needs.