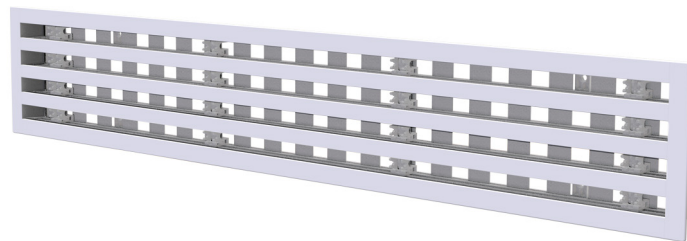


Linear diffuser in anti-condensation PVC with damper - 4 slots

- cod. PWD301662 - cod. PWD301665 - cod. PWD301668
- cod. PWD301671 - cod. PWD301674



DESCRIPTION

Visible linear diffuser in anti-condensate PVC with adjustable calibration damper with 4 slots, white. Diffusers are used in places where the ceiling design has to be assured, such as offices, meeting rooms and hotels, ensuring uniform air diffusion and high thermal induction. In contrast to aluminium, due to its physical characteristics PVC does not produce condensate; this avoids the formation of fungi, mould and bacteria inside the diffuser and ensures excellent wall insulation. It is fixed to the plenum, which can be purchased separately, using front screws and mobile C brackets. The damper is used to control the required amount of air and can be calibrated using a screwdriver.

APPLICATIONS

Diffuser ideal for wall or ceiling installations, in delivery ONLY.

ACCESSORIES

- Plenum in insulated galvanised metal sheet, can be purchased separately.
- Continuity kit, can be purchased separately.



DIMENSIONS

CODE	L [mm]	L1 [mm]	A [mm]	B [mm]	C [mm]
PWD301662	600	645	183	166	60
PWD301665	800	845	183	166	60
PWD301668	1000	1045	183	166	60
PWD301671	1500	1545	183	166	60
PWD301674	2000	2045	183	166	60

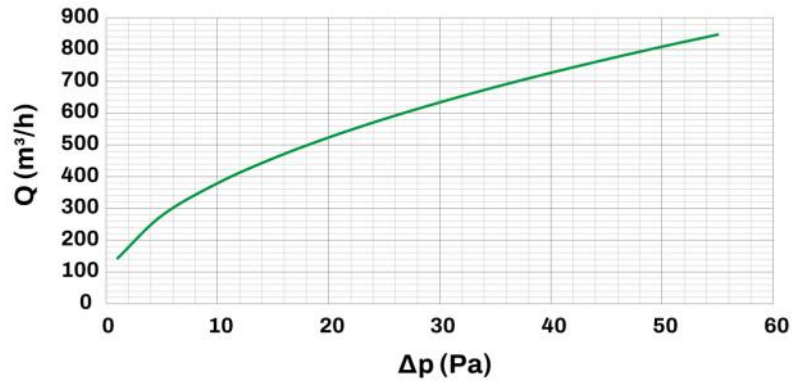
INFORMATION

Measures are indicated in millimetres (mm), unless otherwise specified.

TECHNICAL DATA

TECHNICAL SPECIFICATIONS	
Material:	Anti-condensate PVC
Colour:	White
Flammability rating:	V0
Operating temperature	-30°C ... +60°C

LOAD CAPACITY AND PRESSURE DROP CURVES

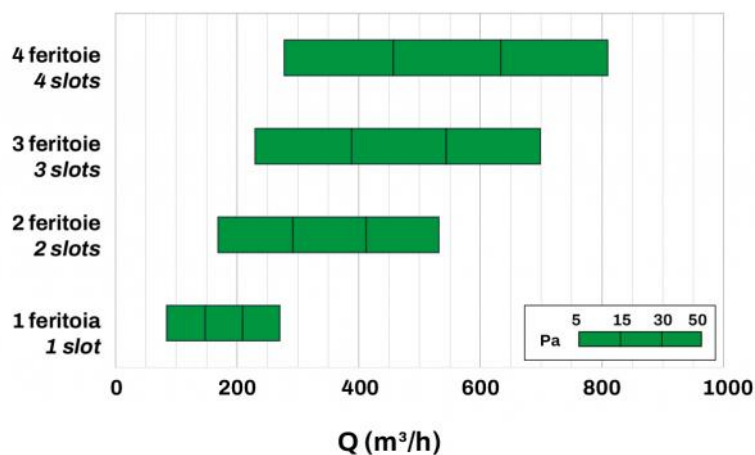


Ak [m²]	Qv min [m³/h]	Qv max [m³/h]	Lwa min [dB(A)]	Lwa max [dB(A)]	DP min [Pa]	DP max [Pa]
0.084	380	810	35	49	10	50

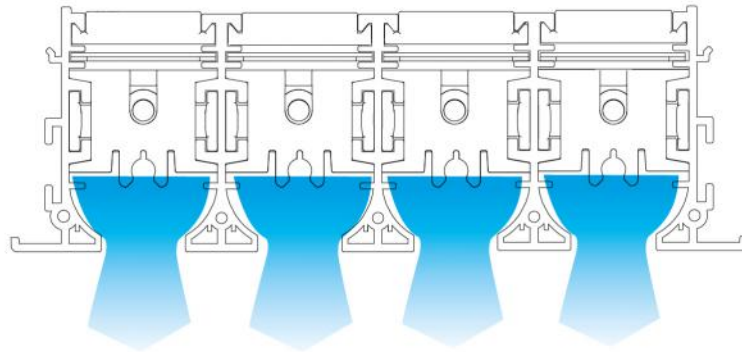
INFORMATION

The table data refer to 1000 mm long visible linear diffusers

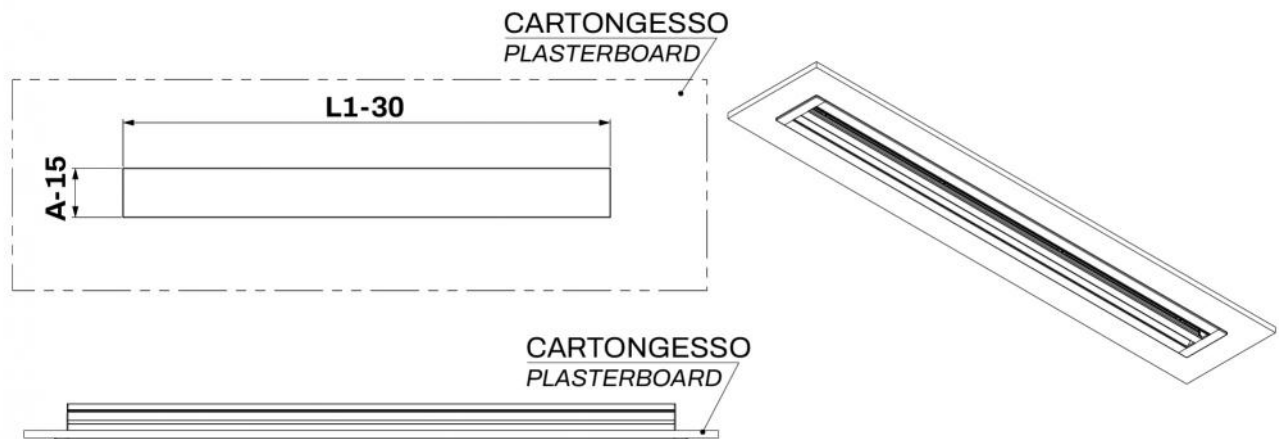
SHORTCUT DIAGRAM



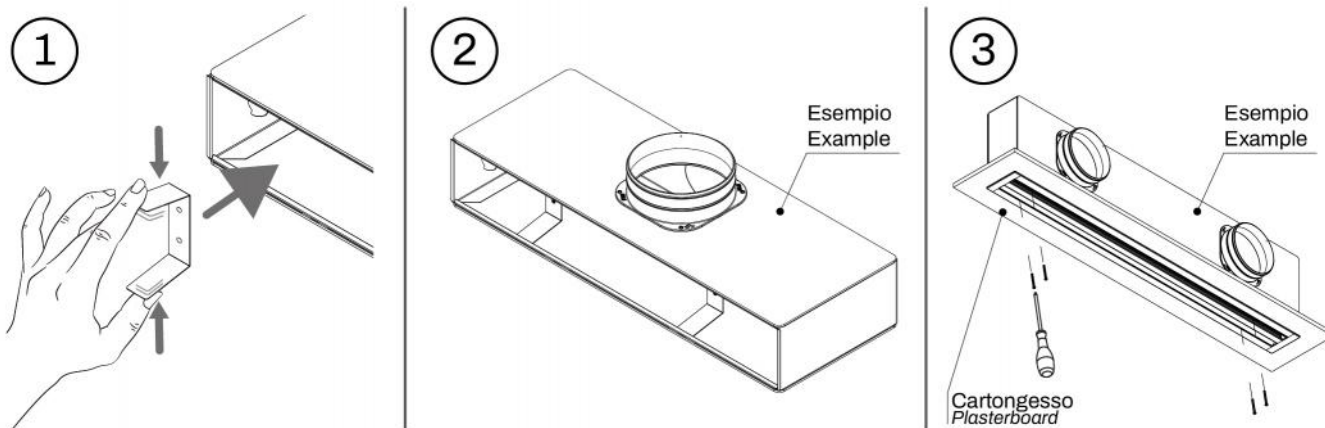
EXAMPLE OF VERTICAL FLOW



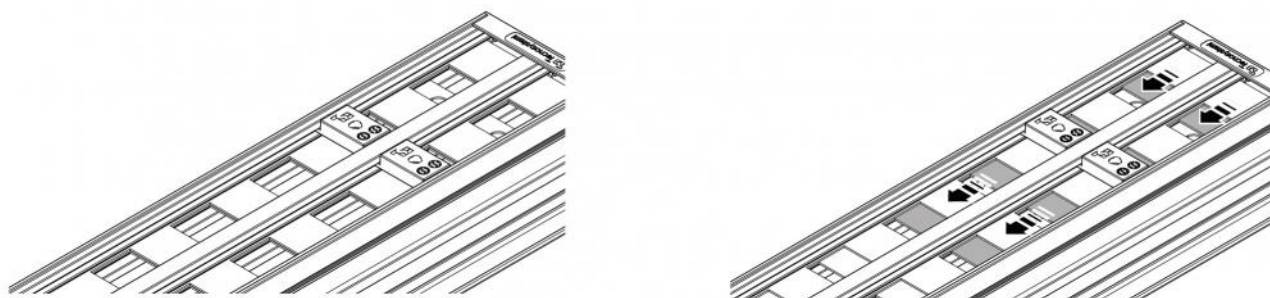
BUILT-IN INSTALLATION BOX FOR WALLS



EXAMPLE OF INSTALLATION:

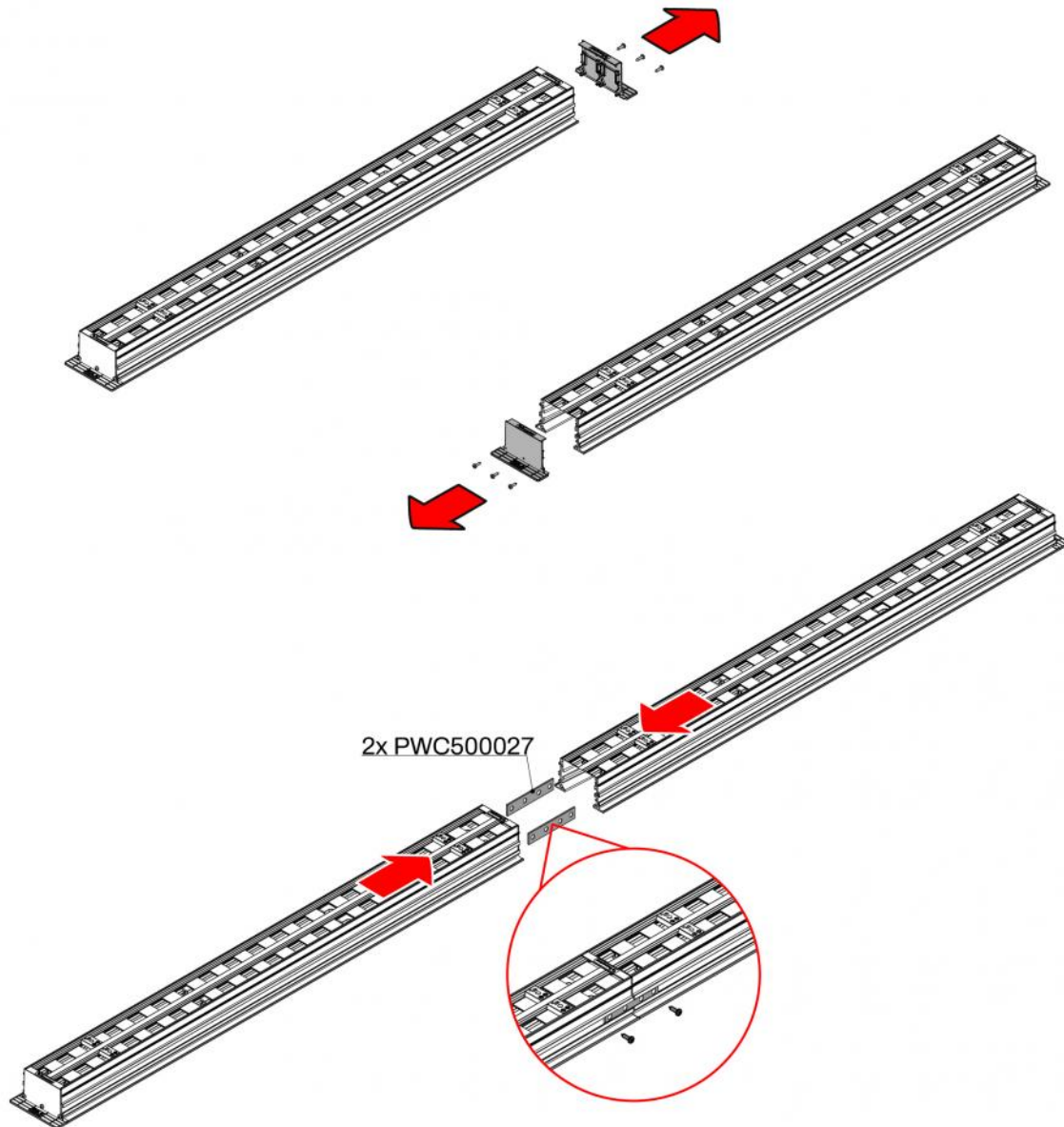


DAMPER ADJUSTMENT



Use a screwdriver to adjust the damper, acting beneath the diffuser.

EXAMPLE OF CONTINUITY KIT FIXING



ITEMS

CODE	DESCRIPTION
PWD301662	LINEAR DIFFUSER IN ANTI-CONDENSING PVC WITH DAMPER 4 SLOTS L600mm WHITE
PWD301665	LINEAR DIFFUSER IN ANTI-CONDENSING PVC WITH DAMPER 4 SLOTS L800mm WHITE
PWD301668	LINEAR DIFFUSER IN ANTI-CONDENSING PVC WITH DAMPER 4 SLOTS L1000mm WHITE
PWD301671	LINEAR DIFFUSER IN ANTI-CONDENSING PVC WITH DAMPER 4 SLOTS L1500mm WHITE
PWD301674	LINEAR DIFFUSER IN ANTI-CONDENSING PVC WITH DAMPER 4 SLOTS L2000mm WHITE

All rights relating to this publication are the exclusive property of Tecnosystemi SpA.
 Tecnosystemi SpA reserves the right to make changes at any time and without notice, for technical or commercial needs.