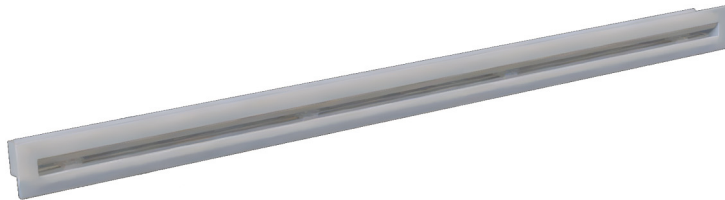


Linear diffuser in anti-condensation PVC with damper and central baffle - 1 slot

- cod. PWD301488 - cod. PWD301497 - cod. PWD301506
- cod. PWD301515 - cod. PWD301524



DESCRIPTION

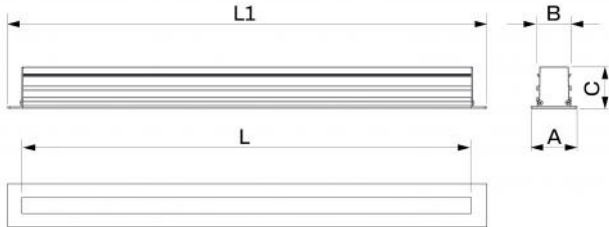
Visible linear diffuser in anti-condensate PVC with adjustable calibration damper, central baffle with 1 slot, white. Diffusers are used in places where the ceiling design has to be assured, such as offices, meeting rooms and hotels, ensuring uniform air diffusion and high thermal induction. In contrast to aluminium, due to its physical characteristics PVC does not produce condensate; this avoids the formation of fungi, mould and bacteria inside the diffuser and ensures excellent wall insulation. It is fixed to the plenum, which can be purchased separately, using front screws and mobile C brackets. The damper is used to control the required amount of air and can be calibrated using a screwdriver. Housings are obtained from inside the profiles to enable the mounting of adjustable PVC baffles. By changing the baffle direction it is possible to deliver the air flow according to the place of installation, if necessary obtaining a Coanda effect.

APPLICATIONS

Diffuser ideal for wall or ceiling installations, in delivery and intake, at a height between 2.5 m and 3.1 m.

ACCESSORIES

- Plenum in insulated galvanised metal sheet, can be purchased separately.
- Continuity kit, can be purchased separately.



DIMENSIONS

CODE	L [mm]	L1 [mm]	A [mm]	B [mm]	C [mm]
PWD301488	600	645	66	49	60
PWD301497	800	845	66	49	60
PWD301506	1000	1045	66	49	60
PWD301515	1500	1545	66	49	60
PWD301524	2000	2045	66	49	60

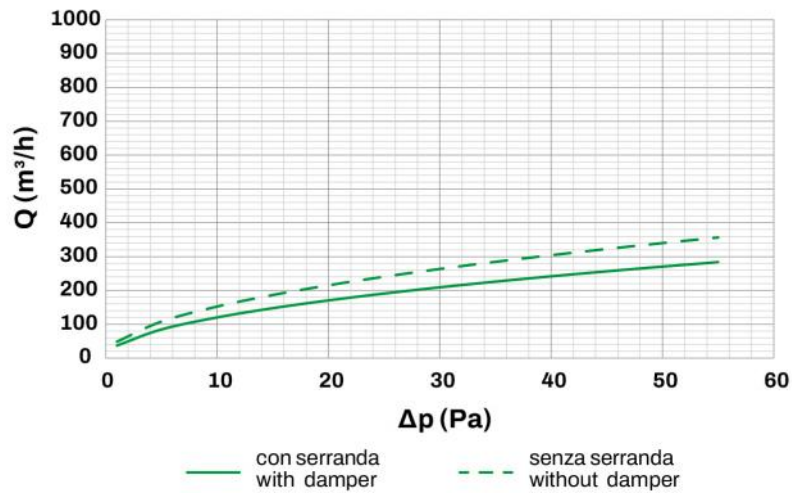
INFORMATION

Measures are indicated in millimetres (mm), unless otherwise specified.

TECHNICAL DATA

TECHNICAL SPECIFICATIONS	
Material:	Anti-condensate PVC
Colour:	White
Flammability rating:	V0
Operating temperature	-30°C ... +60°C

LOAD CAPACITY AND PRESSURE DROP CURVES VERTICLE BAFFLE

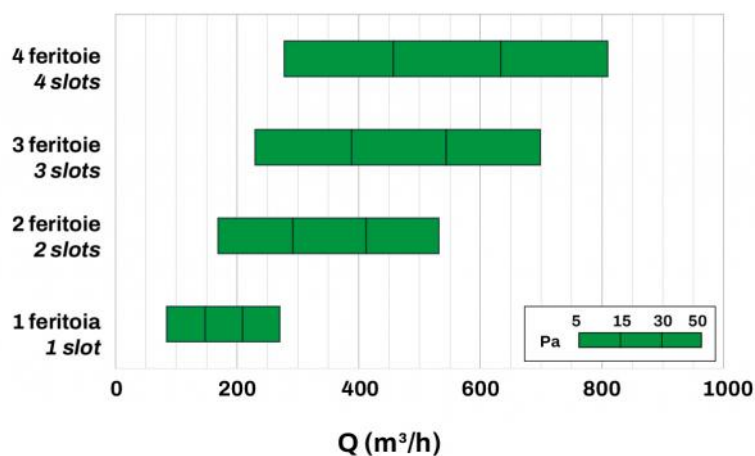


Ak [m²]	Qv min [m³/h]	Qv max [m³/h]	Lwa min [dB(A)]	Lwa max [dB(A)]	DP min [Pa]	DP max [Pa]
0.021	120	270	32	46	10	50

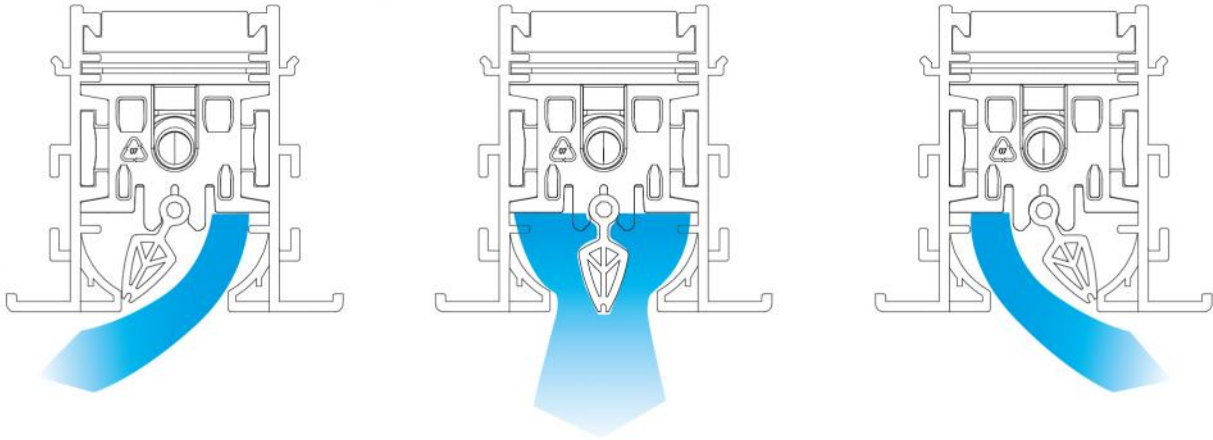
INFORMATION

The data in the table refers to 1000 mm long linear retracting diffusers, with fully open damper and vertical baffle.

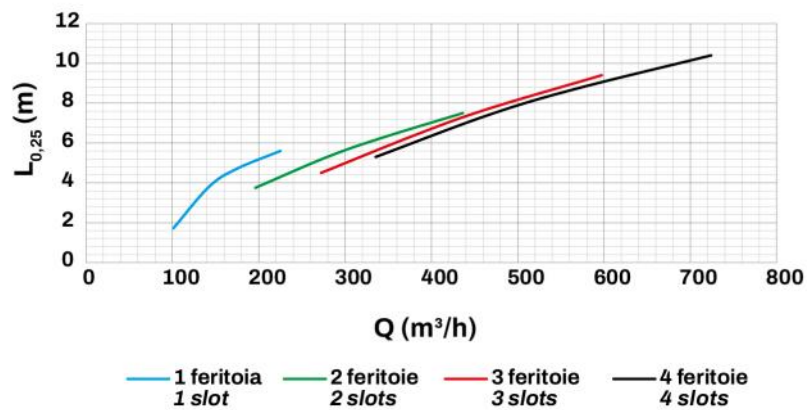
SHORTCUT DIAGRAM



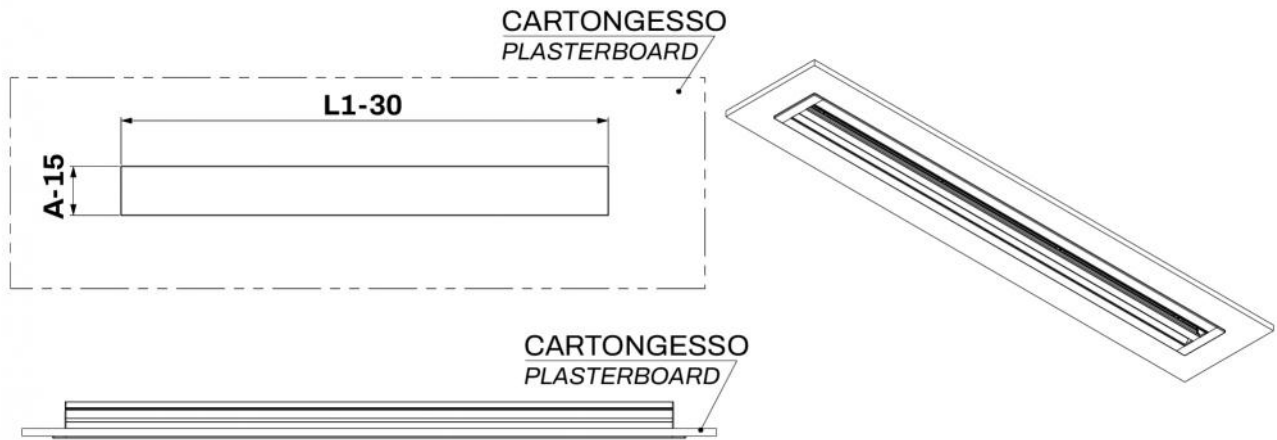
EXAMPLE OF FLOW



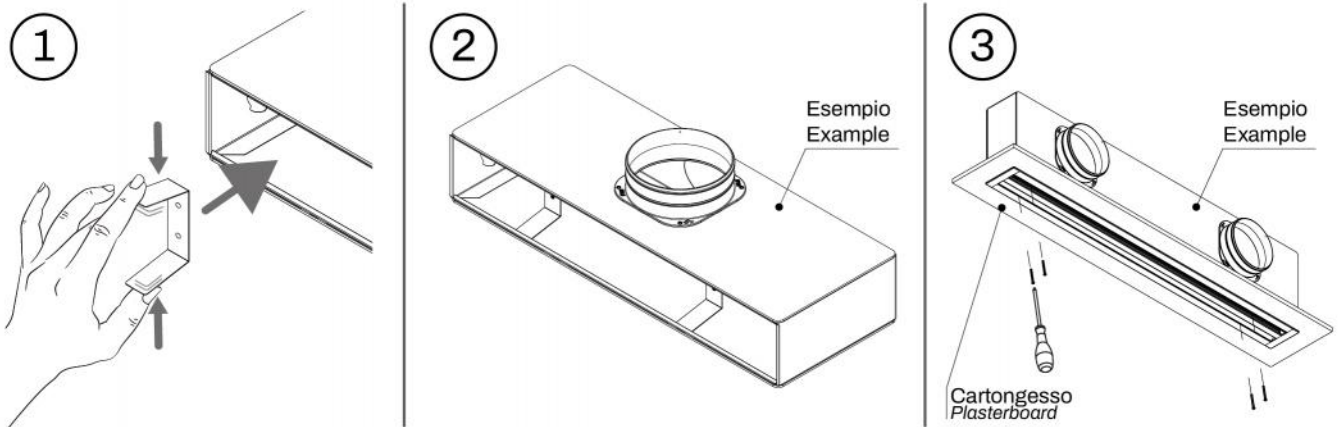
HORIZONTAL FLOW CHART WITH TILTED BAFFLE



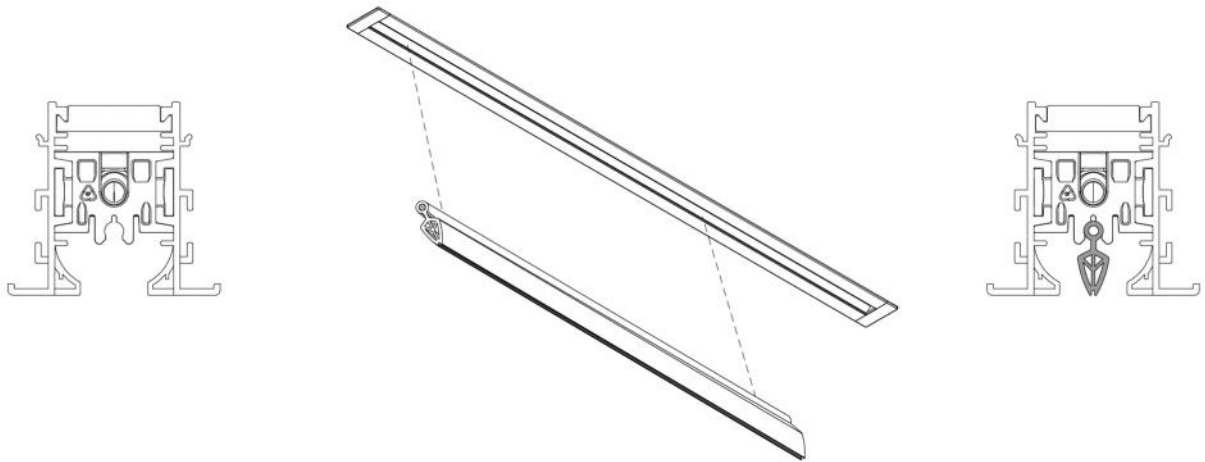
BUILT-IN INSTALLATION BOX FOR WALLS



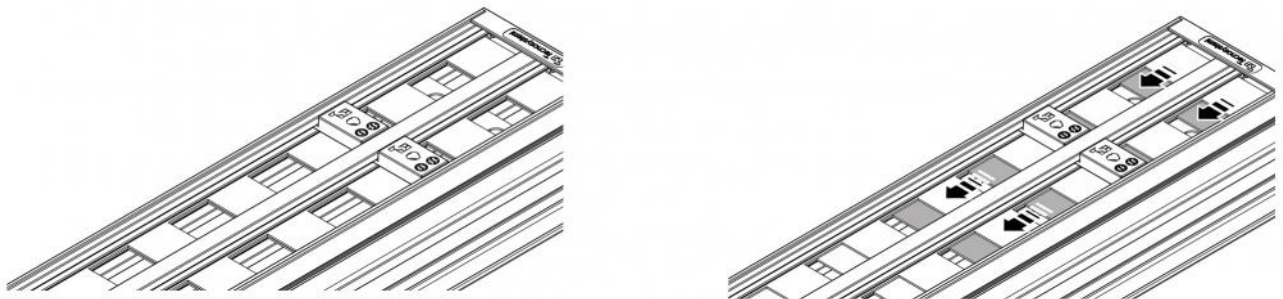
EXAMPLE OF INSTALLATION:



BAFFLE ASSEMBLY

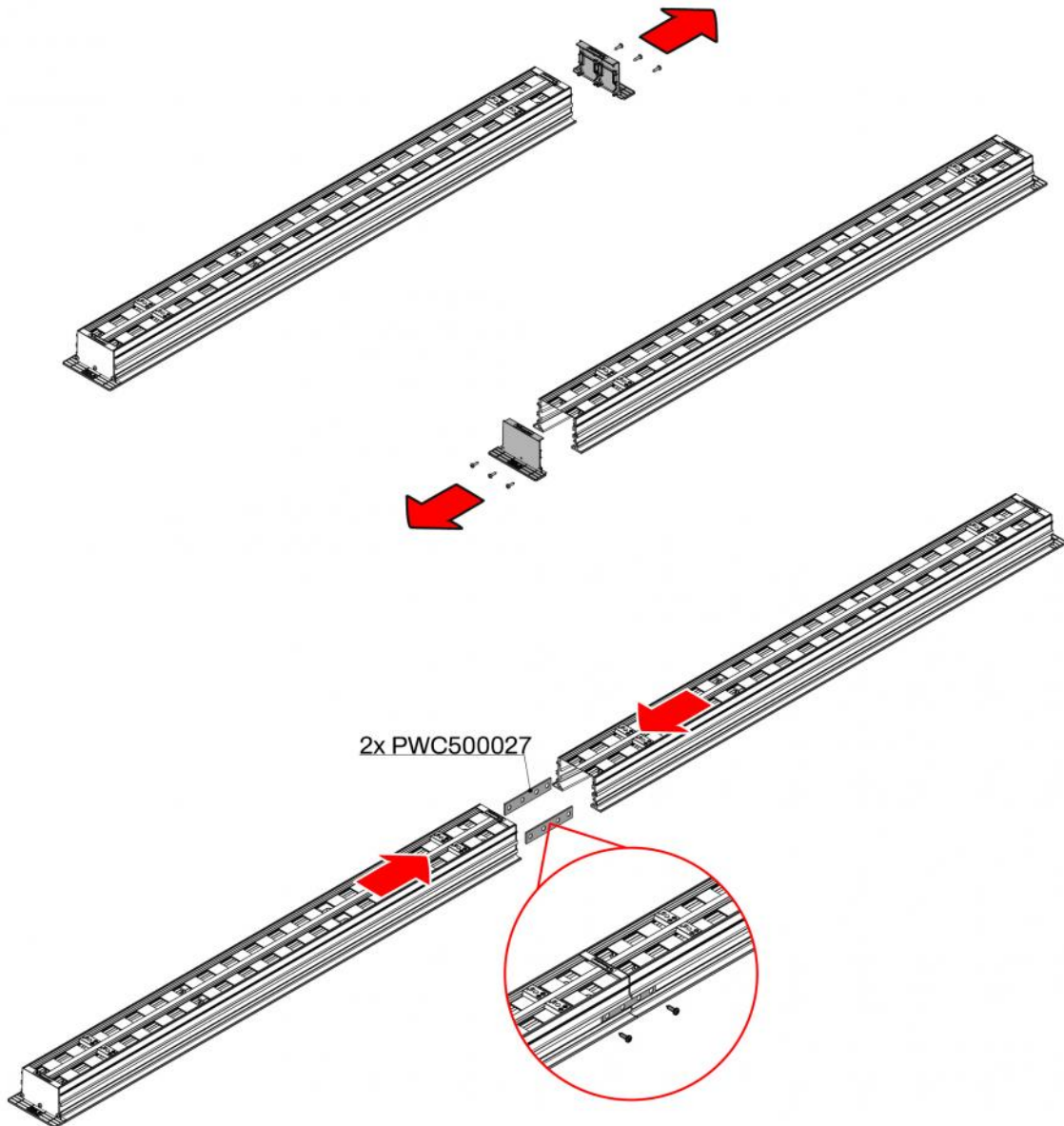


DAMPER ADJUSTMENT



Use a screwdriver to adjust the damper, acting beneath the diffuser.

EXAMPLE OF CONTINUITY KIT FIXING



ITEMS

CODE	DESCRIPTION
PWD301488	LINEAR DIFFUSOR IN ANTI-CONDENSING PVC WITH DAMPER AND CENTRAL DEFLECTOR L600mm 1 SLOT WHITE
PWD301497	LINEAR DIFFUSOR IN ANTI-CONDENSING PVC WITH DAMPER AND CENTRAL DEFLECTOR L800mm 1 SLOT WHITE
PWD301506	LINEAR DIFFUSOR IN ANTI-CONDENSING PVC WITH DAMPER AND CENTRAL DEFLECTOR L1000mm 1 SLOT WHITE
PWD301515	LINEAR DIFFUSOR IN ANTI-CONDENSING PVC WITH DAMPER AND CENTRAL DEFLECTOR L1500mm 1 SLOT WHITE
PWD301524	LINEAR DIFFUSOR IN ANTI-CONDENSING PVC WITH DAMPER AND CENTRAL DEFLECTOR L2000mm 1 SLOT WHITE

All rights relating to this publication are the exclusive property of Tecnosystemi SpA.
Tecnosystemi SpA reserves the right to make changes at any time and without notice, for technical or commercial needs.