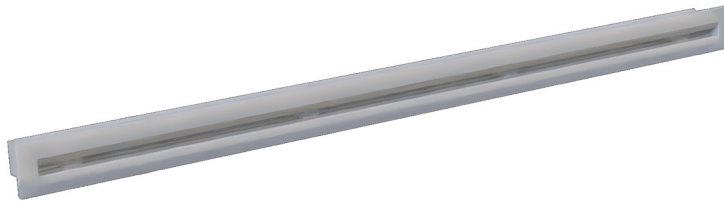


# Linear intake diffuser in ALUMINIUM - 1 slot

- cod. PWD301611 - cod. PWD301620 - cod. PWD301629  
- cod. PWD301638 - cod. PWD301647



## DESCRIPTION

Visible linear intake diffuser in aluminium with 1 slot, white.

Diffusers are used in places where the ceiling design has to be assured, such as offices, meeting rooms and hotels, ensuring uniform air diffusion and high thermal induction.

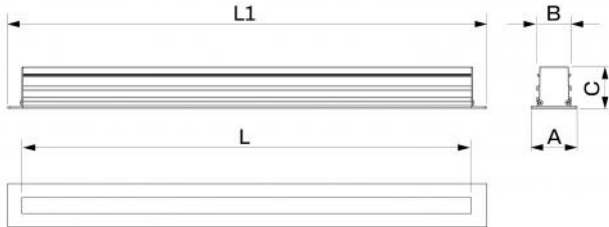
It is fixed to the plenum, which can be purchased separately, using front screws and mobile C brackets.

## APPLICATIONS

Diffuser ideal for wall or ceiling installations in intake ONLY.

## ACCESSORIES

- Plenum in insulated galvanised metal sheet, can be purchased separately.
- Continuity kit, can be purchased separately.



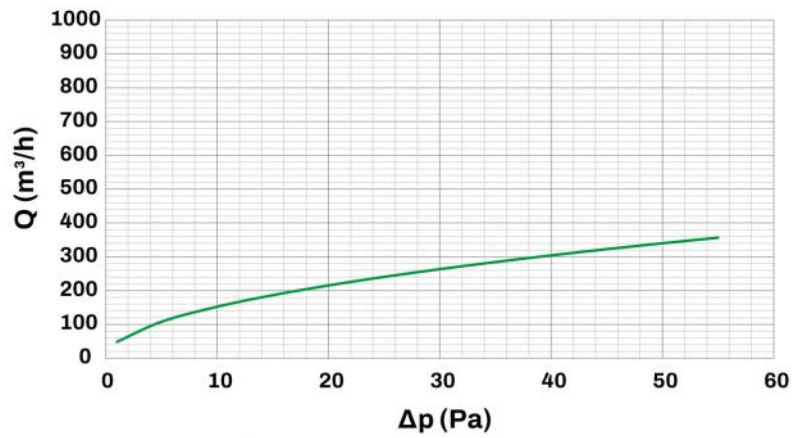
## DIMENSIONS

CODE	L [mm]	L1 [mm]	A [mm]	B [mm]	C [mm]
PWD301611	600	645	66	49	60
PWD301620	800	845	66	49	60
PWD301629	1000	1045	66	49	60
PWD301638	1500	1545	66	49	60
PWD301647	2000	2045	66	49	60

## INFORMATION

Measures are indicated in millimetres (mm), unless otherwise specified.

## LOAD CAPACITY AND PRESSURE DROP CURVES 1 SLOT

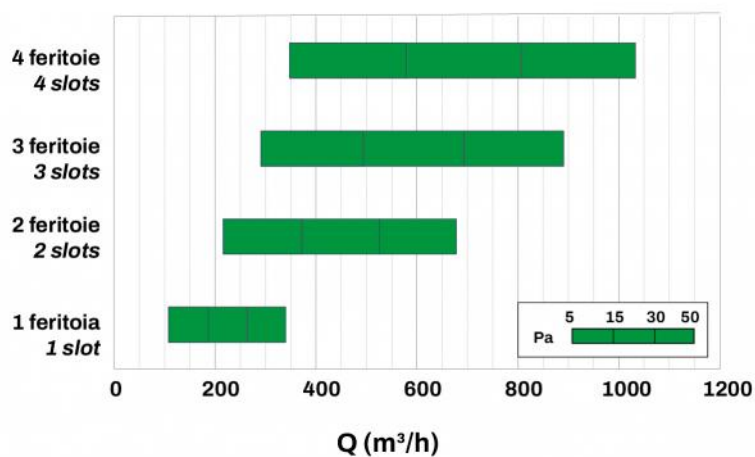


Ak [m²]	Qv min [m³/h]	Qv max [m³/h]	L <sub>wa</sub> min [dB(A)]	Lwa max [dB(A)]	DP min [Pa]	DP max [Pa]
0.021	150	340	32	46	10	50

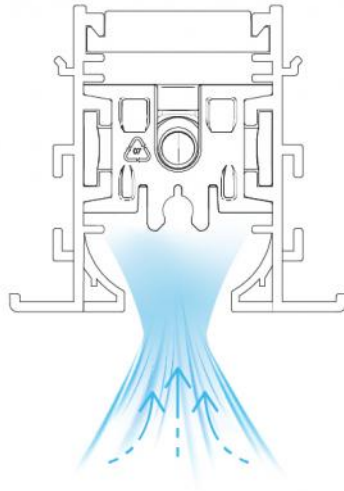
## INFORMATION

The table data refer to 1000 mm long visible linear diffusers

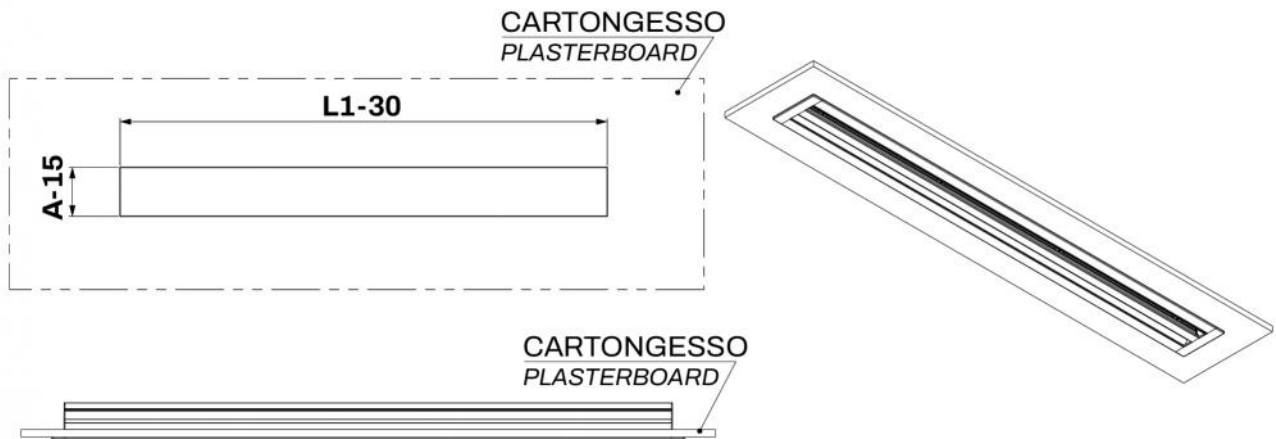
## SHORTCUT DIAGRAM



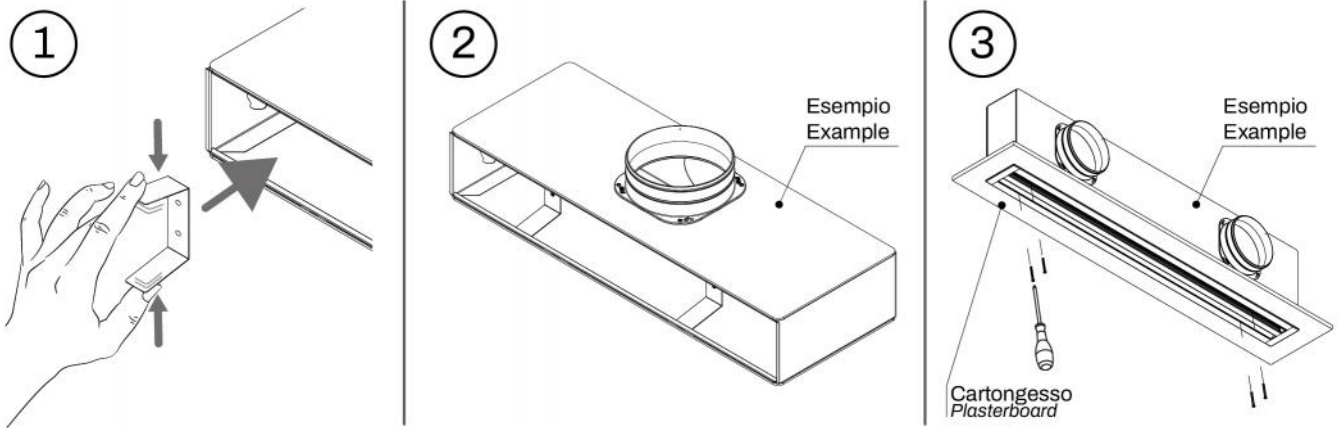
## ESEMPIO DI FUNZIONAMENTO



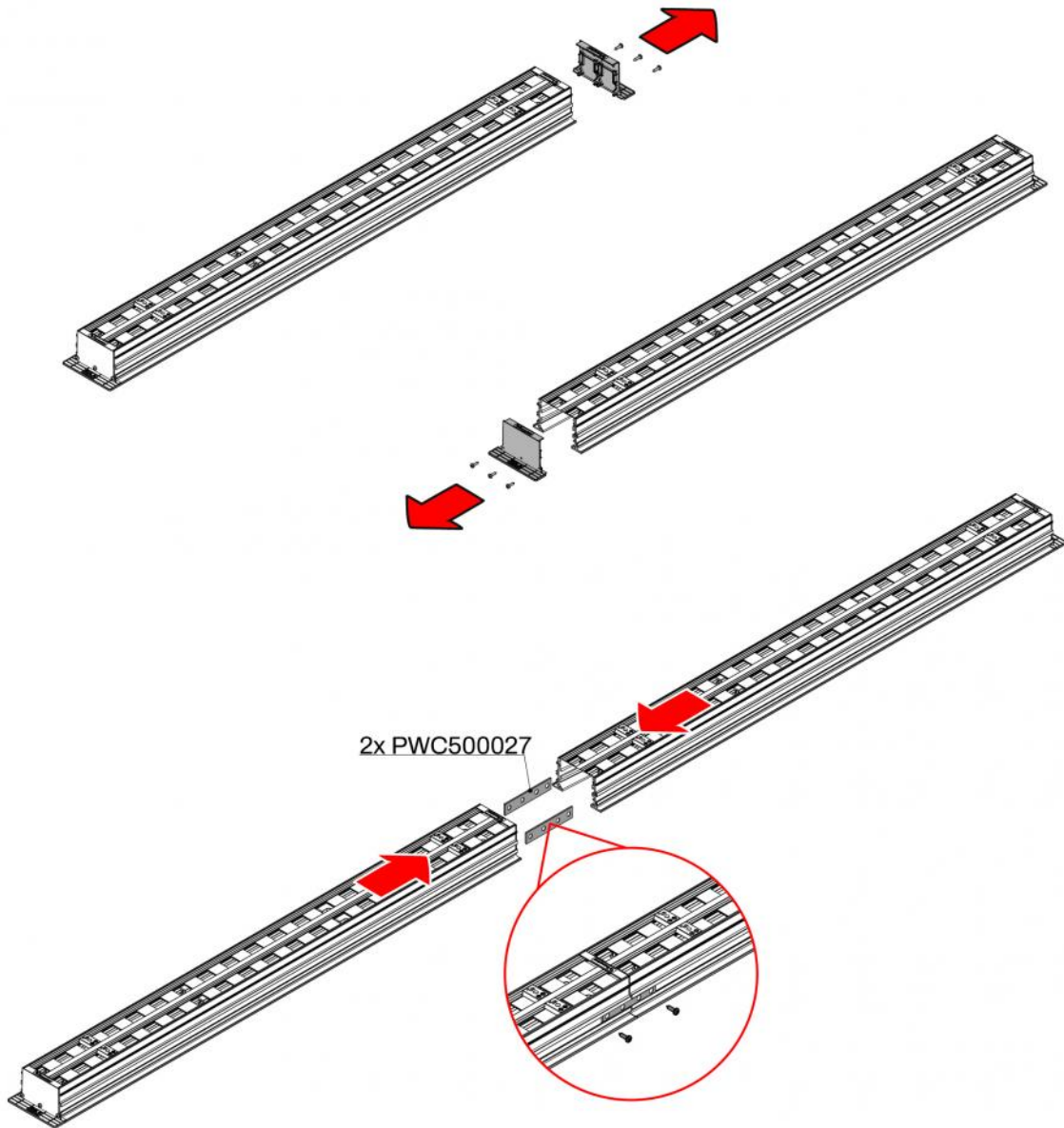
## BUILT-IN INSTALLATION BOX FOR WALLS



**EXAMPLE OF INSTALLATION:**



## EXAMPLE OF CONTINUITY KIT FIXING



**ITEMS**

CODE	DESCRIPTION
PWD301611	LINEAR RETURN DIFFUSER IN IN ALUMINIUML600mm 1 SLOT WHITE
PWD301620	LINEAR RETURN DIFFUSER IN IN ALUMINIUML800mm 1 SLOT WHITE
PWD301629	LINEAR RETURN DIFFUSER IN IN ALUMINIUML1000mm 1 SLOT WHITE
PWD301638	LINEAR RETURN DIFFUSER IN IN ALUMINIUML1500mm 1 SLOT WHITE
PWD301647	LINEAR RETURN DIFFUSER IN IN ALUMINIUML2000mm 1 SLOT WHITE

All rights relating to this publication are the exclusive property of Tecnosystemi SpA.  
 Tecnosystemi SpA reserves the right to make changes at any time and without notice, for technical or commercial needs.