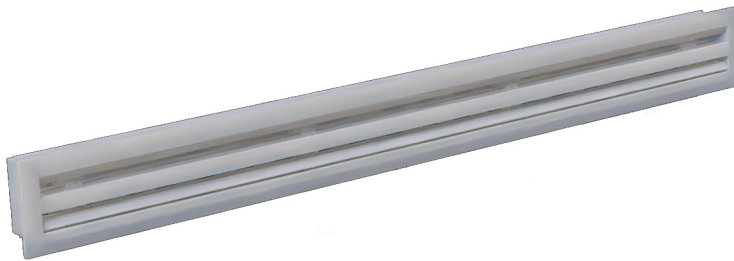


Linear intake diffuser in ALUMINIUM - 2 slots

- cod. PWD301614 - cod. PWD301623 - cod. PWD301632
- cod. PWD301641 - cod. PWD301650



DESCRIPTION

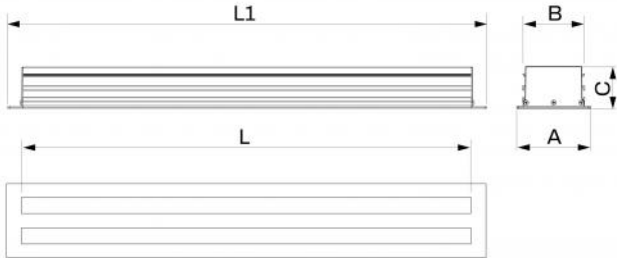
Visible linear intake diffuser in aluminium with 2 slots, white.
Diffusers are used in places where the ceiling design has to be assured, such as offices, meeting rooms and hotels, ensuring uniform air diffusion and high thermal induction.
It is fixed to the plenum, which can be purchased separately, using front screws and mobile C brackets.

APPLICATIONS

Diffuser ideal for wall or ceiling installations in intake ONLY.

ACCESSORIES

- Plenum in insulated galvanised metal sheet, can be purchased separately.
- Continuity kit, can be purchased separately.



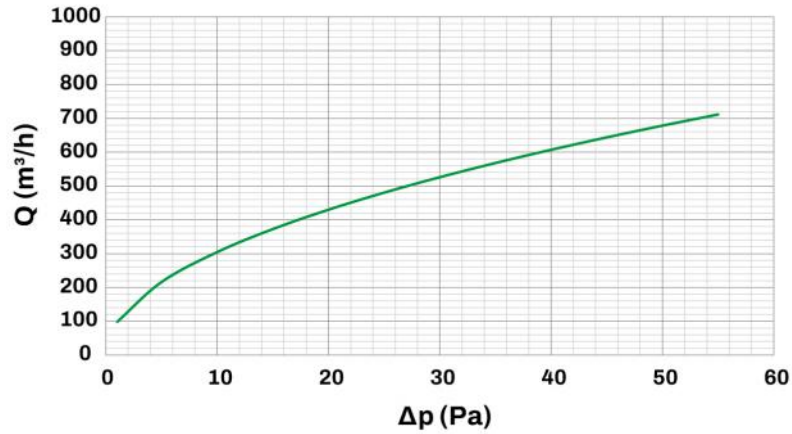
DIMENSIONS

CODE	L [mm]	L1 [mm]	A [mm]	B [mm]	C [mm]
PWD301614	600	645	105	88	60
PWD301623	800	845	105	88	60
PWD301632	1000	1045	105	88	60
PWD301641	1500	1545	105	88	60
PWD301650	2000	2045	105	88	60

INFORMATION

Measures are indicated in millimetres (mm), unless otherwise specified.

LOAD CAPACITY AND PRESSURE DROP CURVES 2 SLOTS

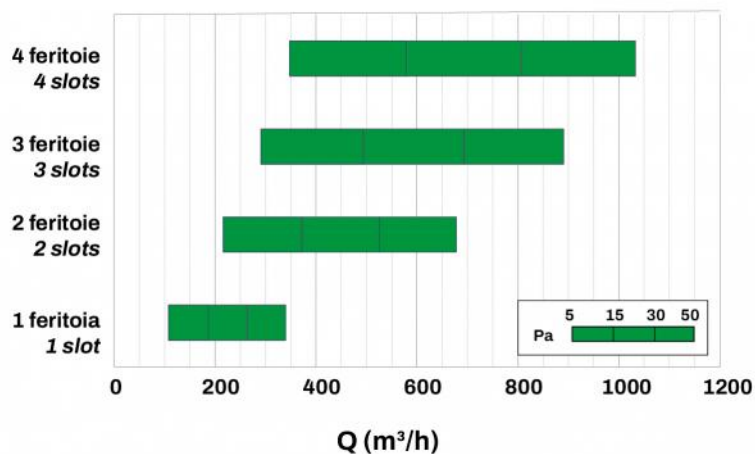


Ak [m²]	Qv min [m³/h]	Qv max [m³/h]	Lwa min [dB(A)]	Lwa max [dB(A)]	DP min [Pa]	DP max [Pa]
0.042	300	680	33	48	10	50

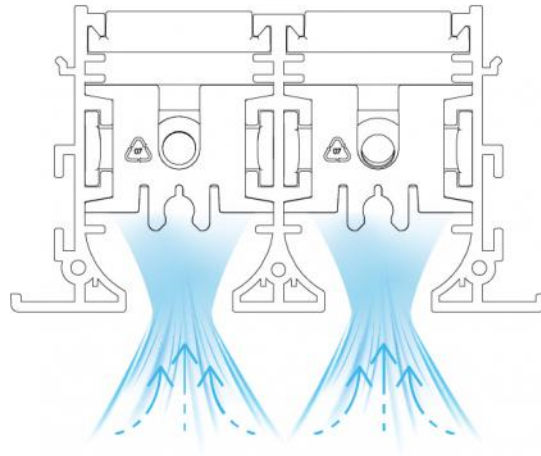
INFORMATION

The table data refer to 1000 mm long visible linear diffusers

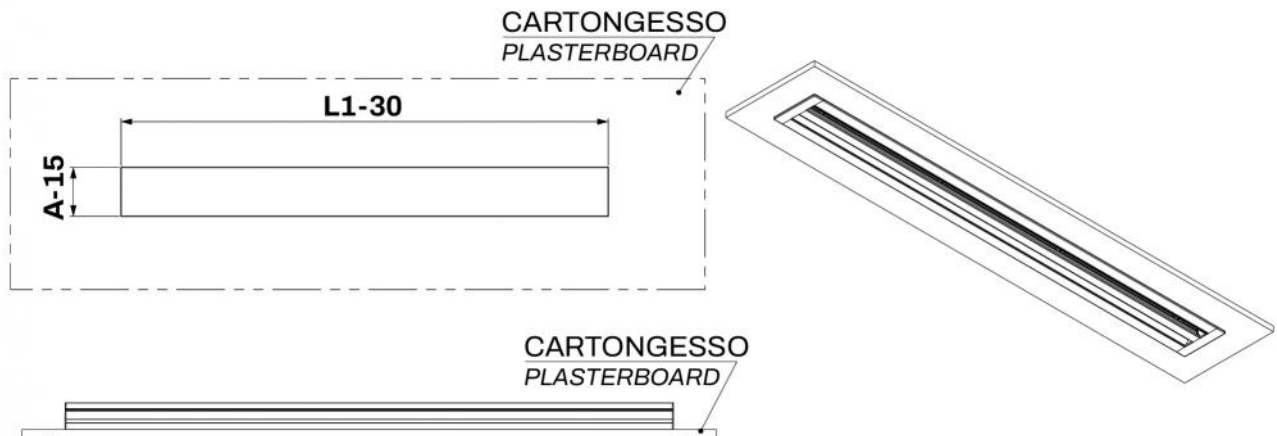
SHORTCUT DIAGRAM



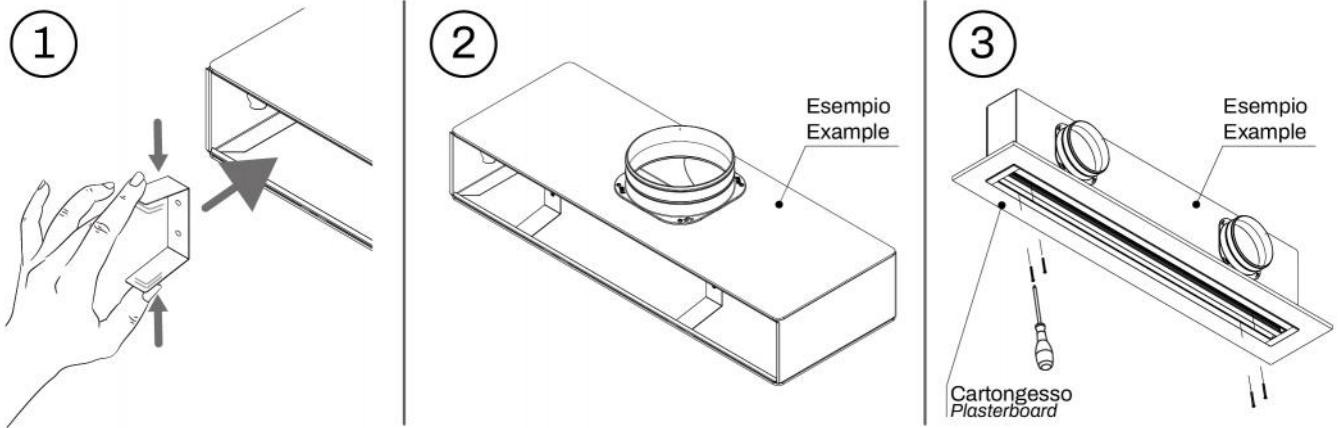
ESEMPIO DI FUNZIONAMENTO



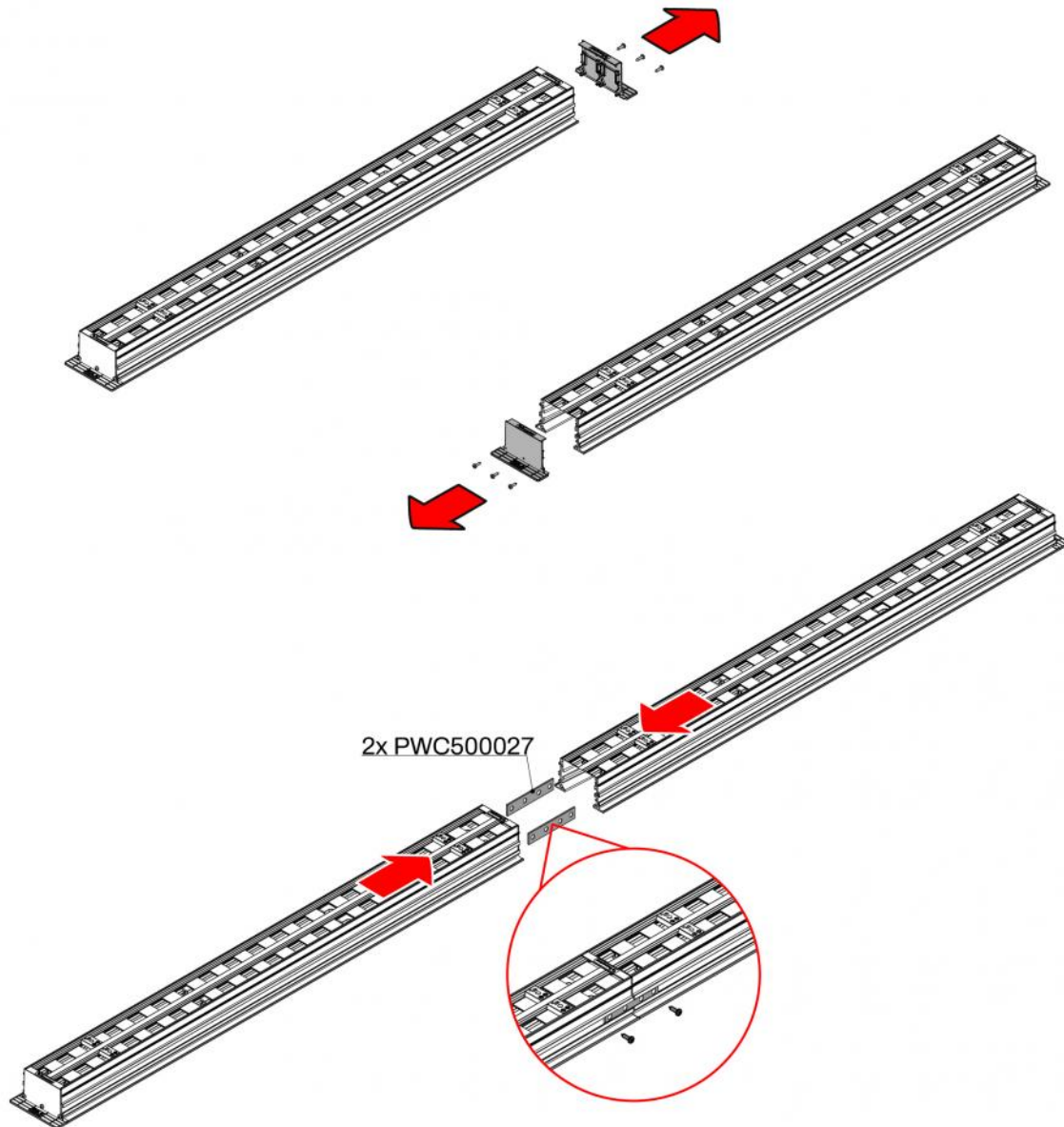
BUILT-IN INSTALLATION BOX FOR WALLS



EXAMPLE OF INSTALLATION:



EXAMPLE OF CONTINUITY KIT FIXING



ITEMS

CODE	DESCRIPTION
PWD301614	LINEAR RETURN DIFFUSER IN IN ALUMINIUML600mm 2 SLOTS WHITE
PWD301623	LINEAR RETURN DIFFUSER IN IN ALUMINIUML800mm 2 SLOTS WHITE
PWD301632	LINEAR RETURN DIFFUSER IN IN ALUMINIUML1000mm 2 SLOTS WHITE
PWD301641	LINEAR RETURN DIFFUSER IN IN ALUMINIUML1500mm 2 SLOTS WHITE
PWD301650	LINEAR RETURN DIFFUSER IN ALUMINIUML2000mm 2 SLOTS WHITE

All rights relating to this publication are the exclusive property of Tecnosystemi SpA.
 Tecnosystemi SpA reserves the right to make changes at any time and without notice, for technical or commercial needs.