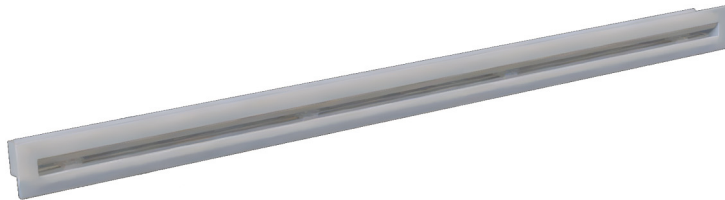


Linear intake diffuser in anti-condensation PVC - 1 slot

- cod. PWD301486 - cod. PWD301495 - cod. PWD301504
- cod. PWD301513 - cod. PWD301522



DESCRIPTION

Visible linear intake diffuser in anti-condensate PVC with 1 slot, white.

Diffusers are used in places where the ceiling design has to be assured, such as offices, meeting rooms and hotels, ensuring uniform air diffusion and high thermal induction.

In contrast to aluminium, due to its physical characteristics PVC does not produce condensate; this avoids the formation of fungi, mould and bacteria inside the diffuser and ensures excellent wall insulation.

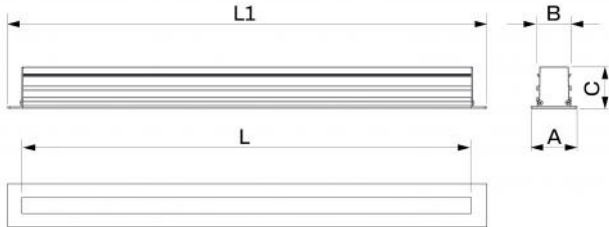
It is fixed to the plenum, which can be purchased separately, using front screws and mobile C brackets.

APPLICATIONS

Diffuser ideal for wall or ceiling installations in intake ONLY.

ACCESSORIES

- Plenum in insulated galvanised metal sheet, can be purchased separately.
- Continuity kit, can be purchased separately.



DIMENSIONS

CODE	L [mm]	L1 [mm]	A [mm]	B [mm]	C [mm]
PWD301486	600	645	66	49	60
PWD301495	800	845	66	49	60
PWD301504	1000	1045	66	49	60
PWD301513	1500	1545	66	49	60
PWD301522	2000	2045	66	49	60

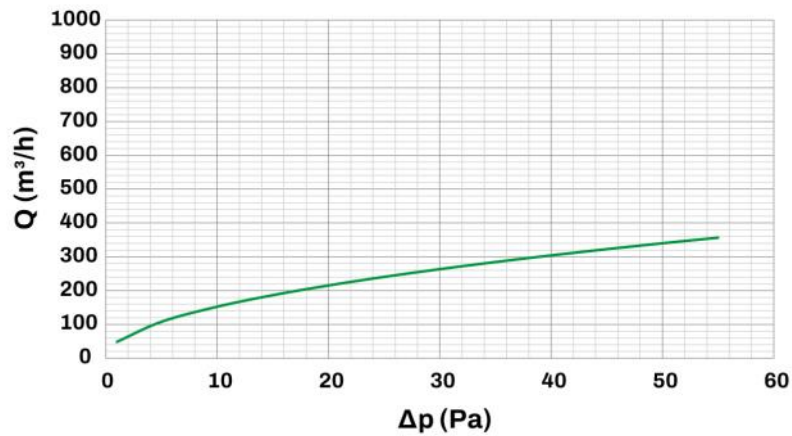
INFORMATION

Measures are indicated in millimetres (mm), unless otherwise specified.

TECHNICAL DATA

TECHNICAL SPECIFICATIONS	
Material:	Anti-condensate PVC
Colour:	White
Flammability rating:	V0
Operating temperature	-30°C ... +60°C

LOAD CAPACITY AND PRESSURE DROP CURVES 1 SLOT

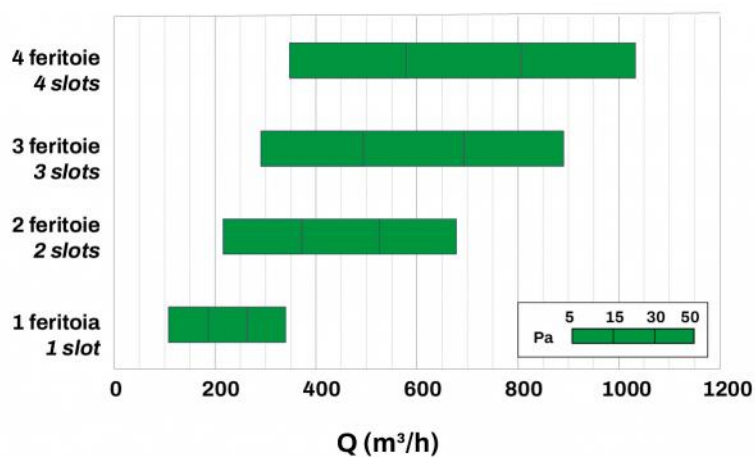


Ak [m²]	Qv min [m³/h]	Qv max [m³/h]	L _{wa} min [dB(A)]	Lwa max [dB(A)]	DP min [Pa]	DP max [Pa]
0.021	150	340	32	46	10	50

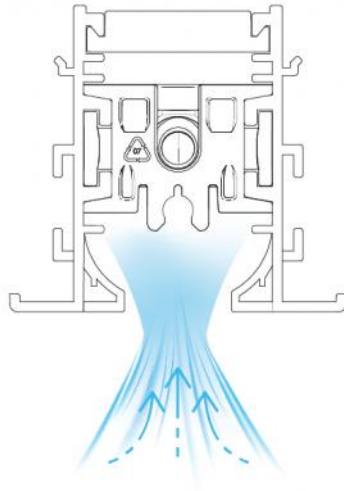
INFORMATION

The table data refer to 1000 mm long visible linear diffusers

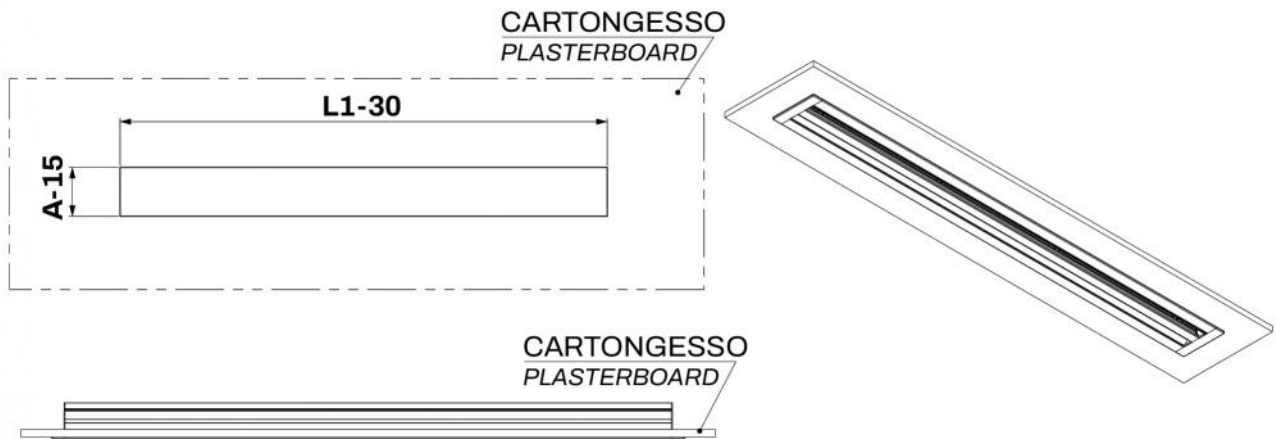
SHORTCUT DIAGRAM



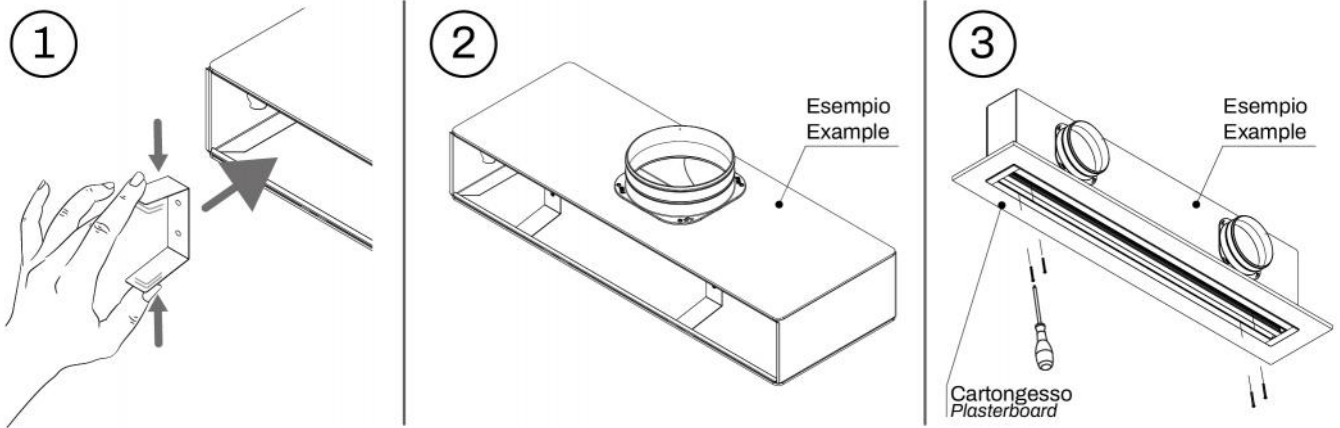
ESEMPIO DI FUNZIONAMENTO



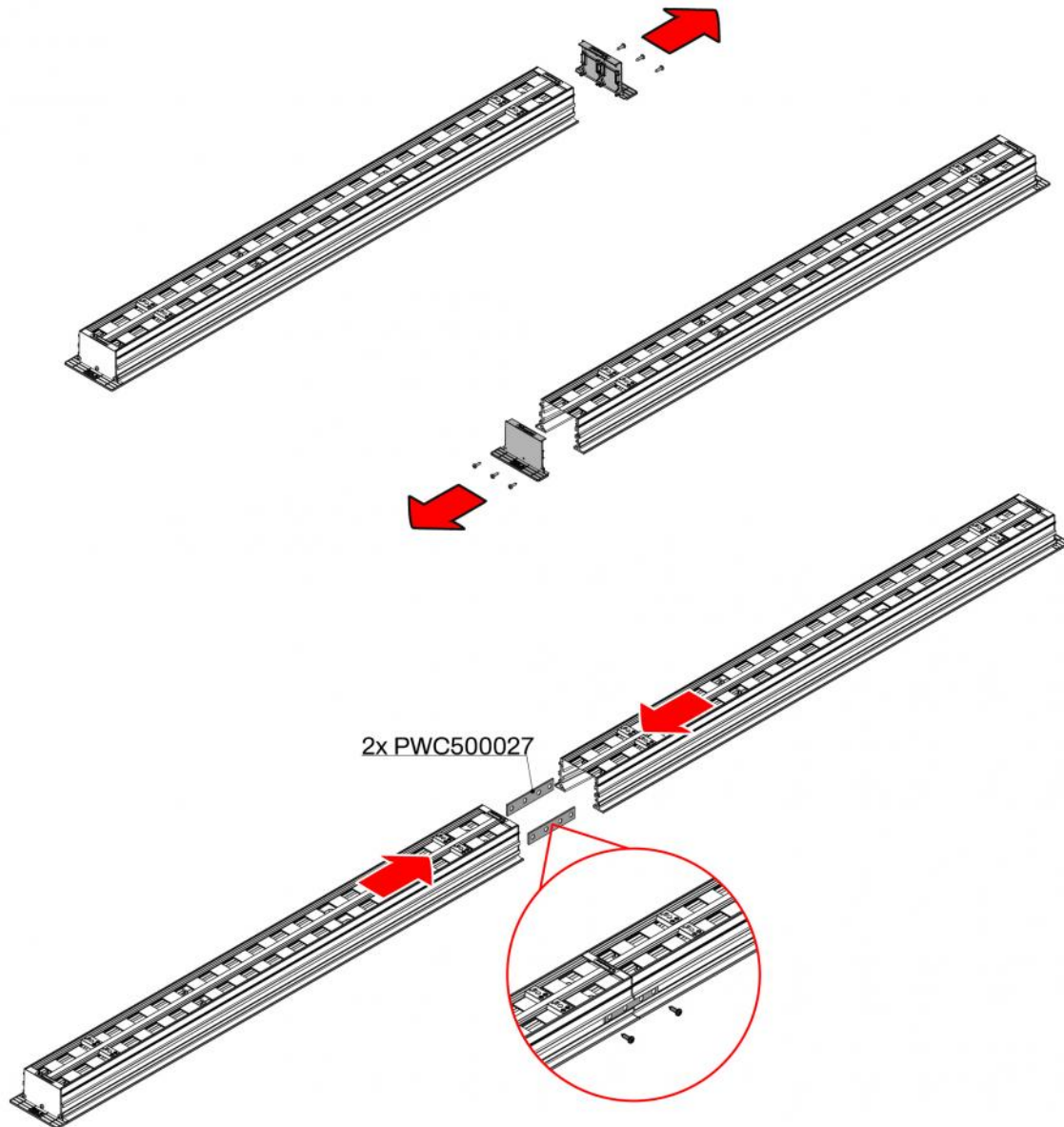
BUILT-IN INSTALLATION BOX FOR WALLS



EXAMPLE OF INSTALLATION:



EXAMPLE OF CONTINUITY KIT FIXING



ITEMS

CODE	DESCRIPTION
PWD301486	RETURN LINEAR DIFFUSOR IN ANTI-CONDENSING PVC L600mm 1 SLOT WHITE
PWD301495	RETURN LINEAR DIFFUSOR IN ANTI-CONDENSING PVC L800mm 1 SLOT WHITE
PWD301504	RETURN LINEAR DIFFUSOR IN ANTI-CONDENSING PVC L1000mm 1 SLOT WHITE
PWD301513	RETURN LINEAR DIFFUSOR IN ANTI-CONDENSING PVC L1500mm 1 SLOT WHITE
PWD301522	RETURN LINEAR DIFFUSOR IN ANTI-CONDENSING PVC L2000mm 1 SLOT WHITE

All rights relating to this publication are the exclusive property of Tecnosystemi SpA.
 Tecnosystemi SpA reserves the right to make changes at any time and without notice, for technical or commercial needs.