

Linear retracting diffuser in ALUMINIUM with damper, insulated plenum and central baffle

- cod. PWD301537 - cod. PWD301538 - cod. PWD301545
- cod. PWD301546 - cod. PWD301553 - cod. PWD301554
- cod. PWD301561 - cod. PWD301562 - cod. PWD301569
- cod. PWD301570 - cod. PWD301577 - cod. PWD301578
- cod. PWD301585 - cod. PWD301586 - cod. PWD301593
- cod. PWD301594 - cod. PWD301601 - cod. PWD301602
- cod. PWD301609 - cod. PWD301610



DESCRIPTION

Linear retracting diffuser in aluminium with damper, insulated plenum and central baffle.

Available with 20 or 30 mm slot in black or white.

With a unique, original design, the plenum is made of galvanised metal sheet coated with closed-cell polyethylene.

This retracting linear diffuser combines design and function, blending perfectly into any room, with uniform air diffusion and high thermal induction.

The inlet collars are included in the pack and must be assembled according to installation needs.

The plenum has other built-in installation boxes for additional ducts and VMC ducts, break as needed.

The damper is used to control the required amount of air and can be calibrated using a screwdriver.

Housings are obtained from inside the profiles to enable the mounting of the central adjustable PVC baffle.

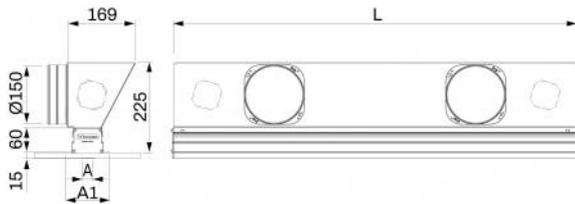
By changing the central baffle direction it is possible to deliver the air flow according to the place of installation, if necessary obtaining a Coanda effect.

APPLICATIONS

Diffuser ideal for wall or ceiling installations, in both delivery and intake, at a height between 2.5 m and 3.1 m.

ACCESSORIES

- False ceiling brackets, included.
- Continuity kit, can be purchased separately.



DIMENSIONS

CODE	L [mm]	A [mm]	A1 [mm]	COUPLING Ø150
PWD301537	600	20	100	1
PWD301538	600	20	100	1
PWD301545	600	30	110	1
PWD301546	600	30	110	1
PWD301553	800	20	100	2
PWD301554	800	20	100	2
PWD301561	800	30	110	2
PWD301562	800	30	110	2
PWD301569	1000	20	100	2
PWD301570	1000	20	100	2
PWD301577	1000	30	110	2
PWD301578	1000	30	110	2
PWD301585	1500	20	100	3
PWD301586	1500	20	100	3
PWD301593	1500	30	110	3
PWD301594	1500	30	110	3
PWD301601	2000	20	100	4
PWD301602	2000	20	100	4
PWD301609	2000	30	110	4
PWD301610	2000	30	110	4

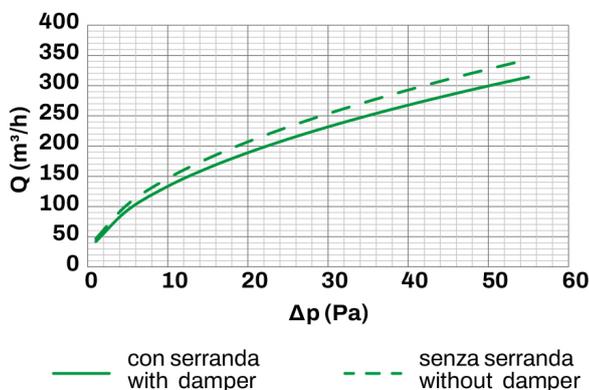
INFORMATION

Measures are indicated in millimetres (mm), unless otherwise specified.

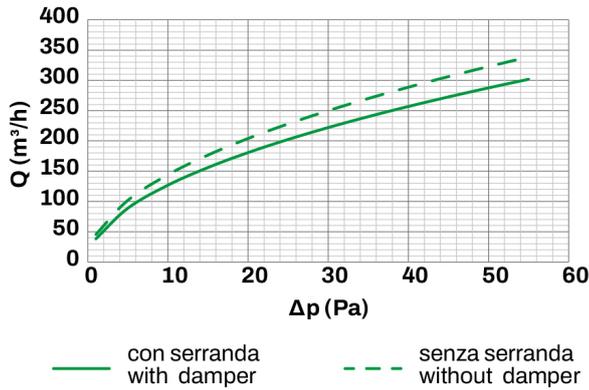
The plasterboard thickness calculated for these configurations is 12.5 mm (not included in the supply).

LOAD CAPACITY AND PRESSURE DROP CURVES

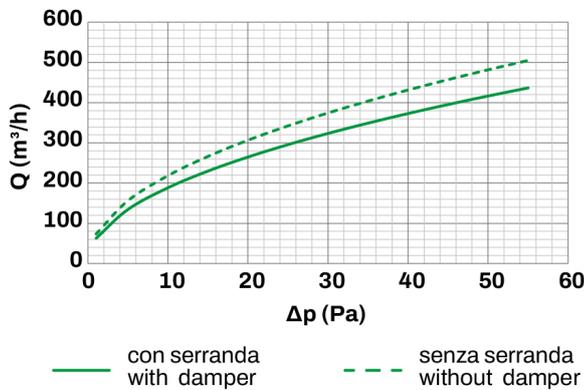
20 mm slot with or without damper, vertical baffle



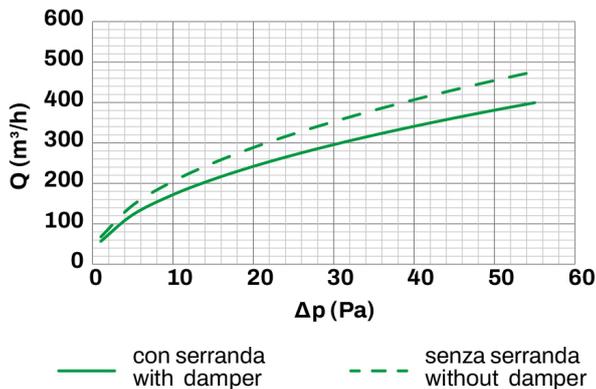
20 mm slot with or without damper, tilted baffle



30 mm slot with or without damper, vertical baffle



30 mm slot with or without damper, tilted baffle

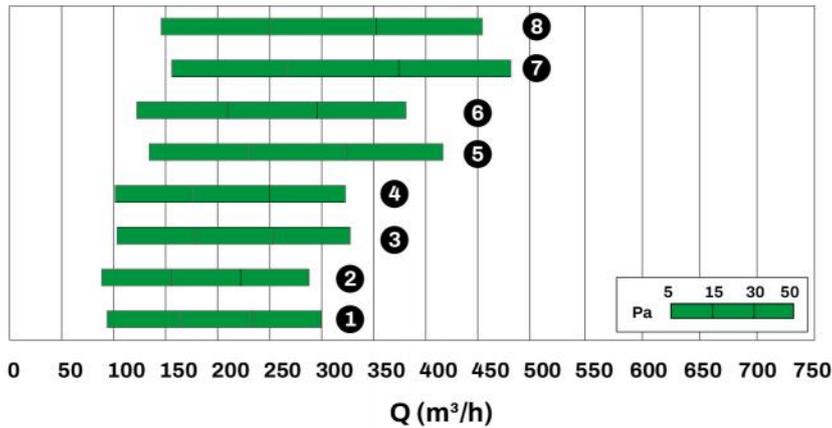


MODEL	Ak [m²]	Qv min [m³/h]	Qv max [m³/h]	Lwa min [dB(A)]	Lwa max [dB(A)]	DP min [Pa]	DP max [Pa]
SLOT 20	0.02	135	300	34	48	10	50
SLOT 30	0.03	190	415	36	50	10	50

INFORMATION

The data in the table refers to 1000 mm long linear retracting diffusers, with fully open damper and vertical baffle.

SHORTCUT DIAGRAM



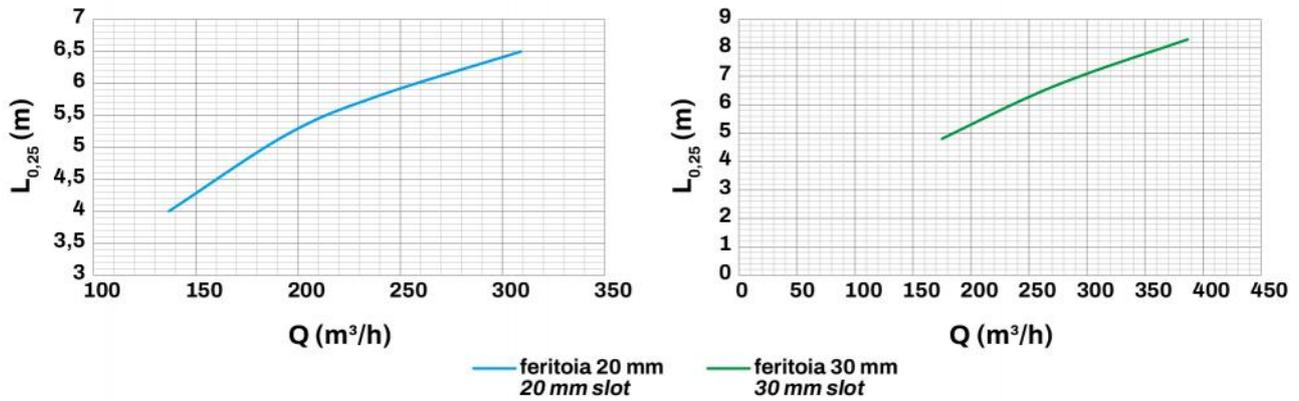
- [1] 20 mm slot with damper, vertical baffle
- [2] 20 mm slot with damper, tilted baffle
- [3] 20 mm slot without damper, vertical baffle
- [4] 20 mm slot without damper, tilted baffle
- [5] 30 mm slot with damper, vertical baffle

- [6] 30 mm slot with damper, tilted baffle
- [7] 30 mm slot without damper, vertical baffle
- [8] 30 mm slot without damper, tilted baffle

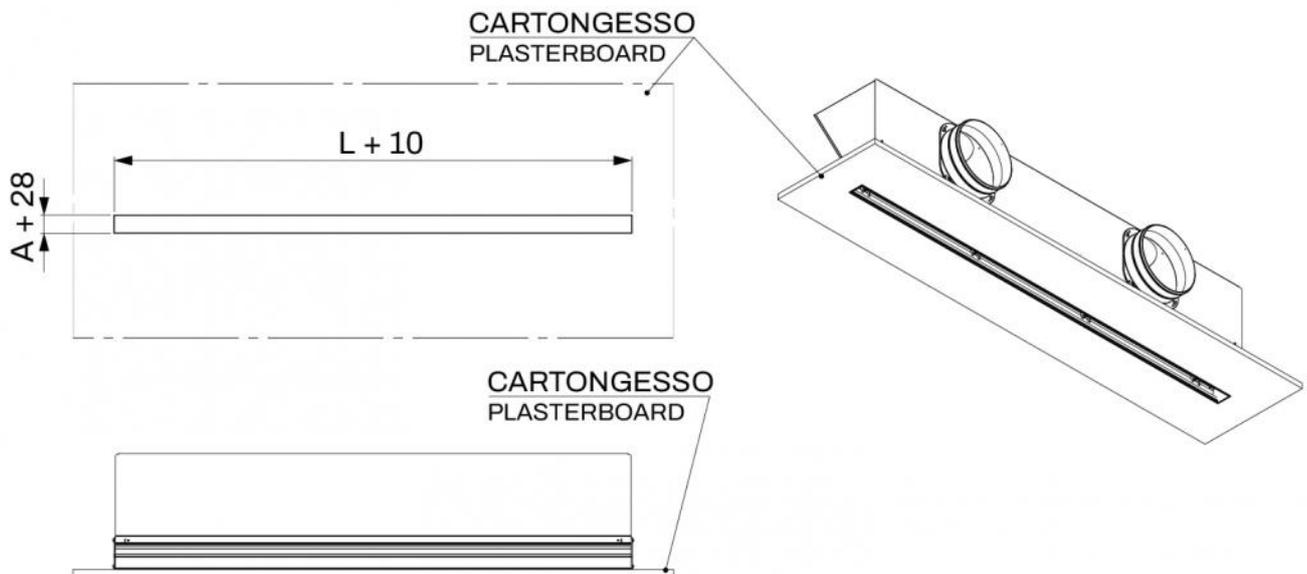
EXAMPLE OF FLOW



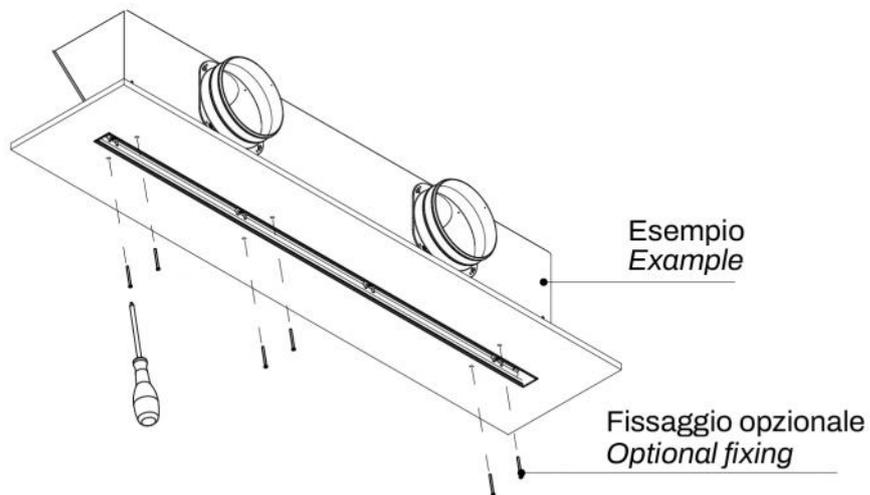
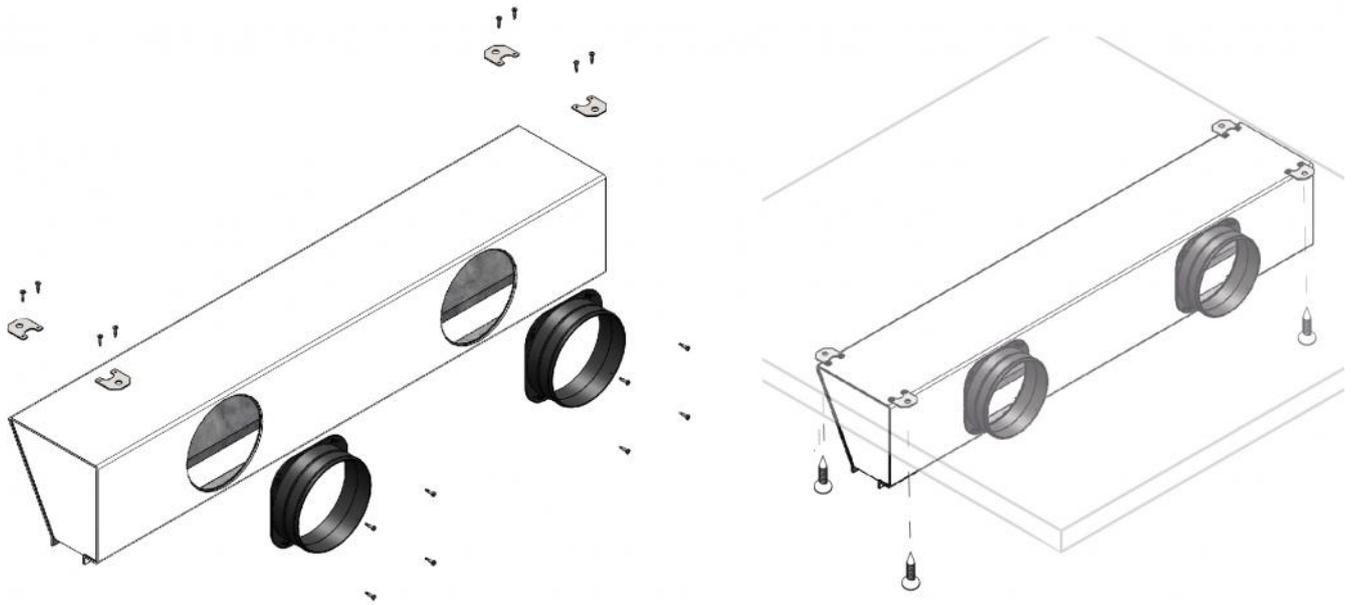
HORIZONTAL FLOW CHART WITH TILTED BAFFLE



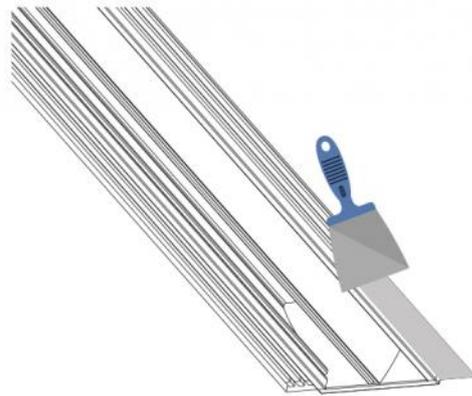
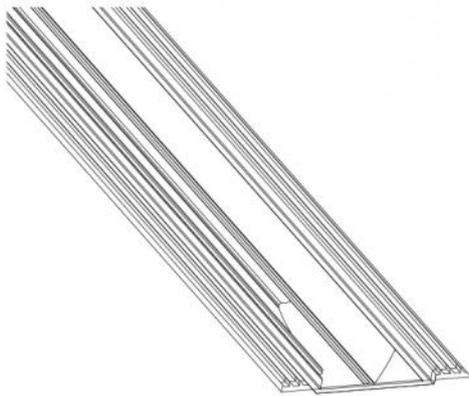
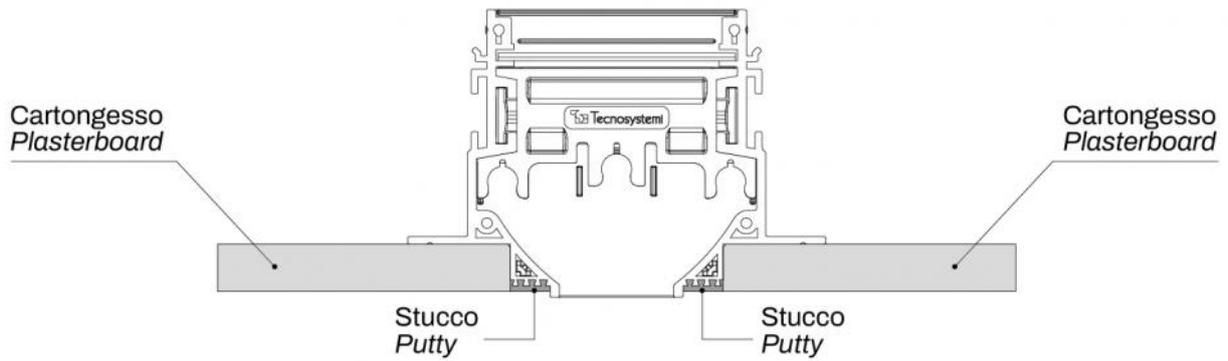
BUILT-IN INSTALLATION BOX FOR WALLS



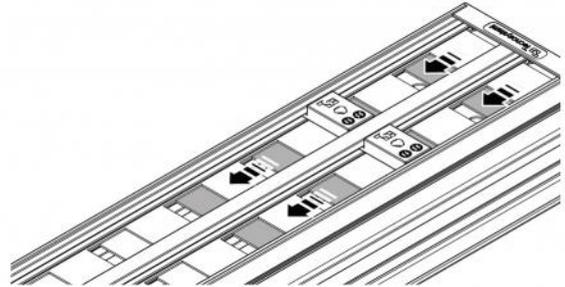
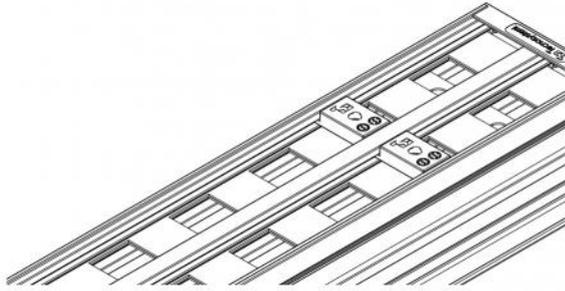
EXAMPLE OF INSTALLATION:



STUCCATURA

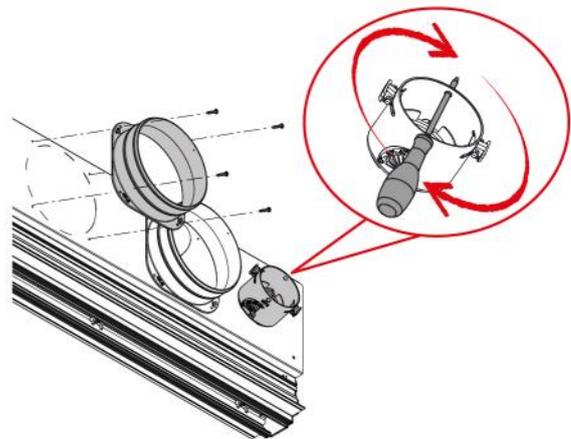
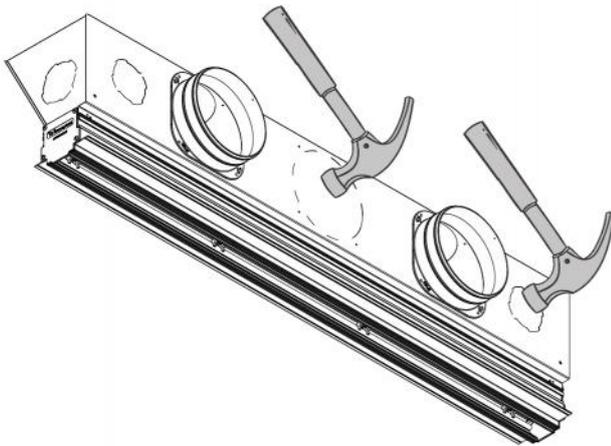


DAMPER ADJUSTMENT

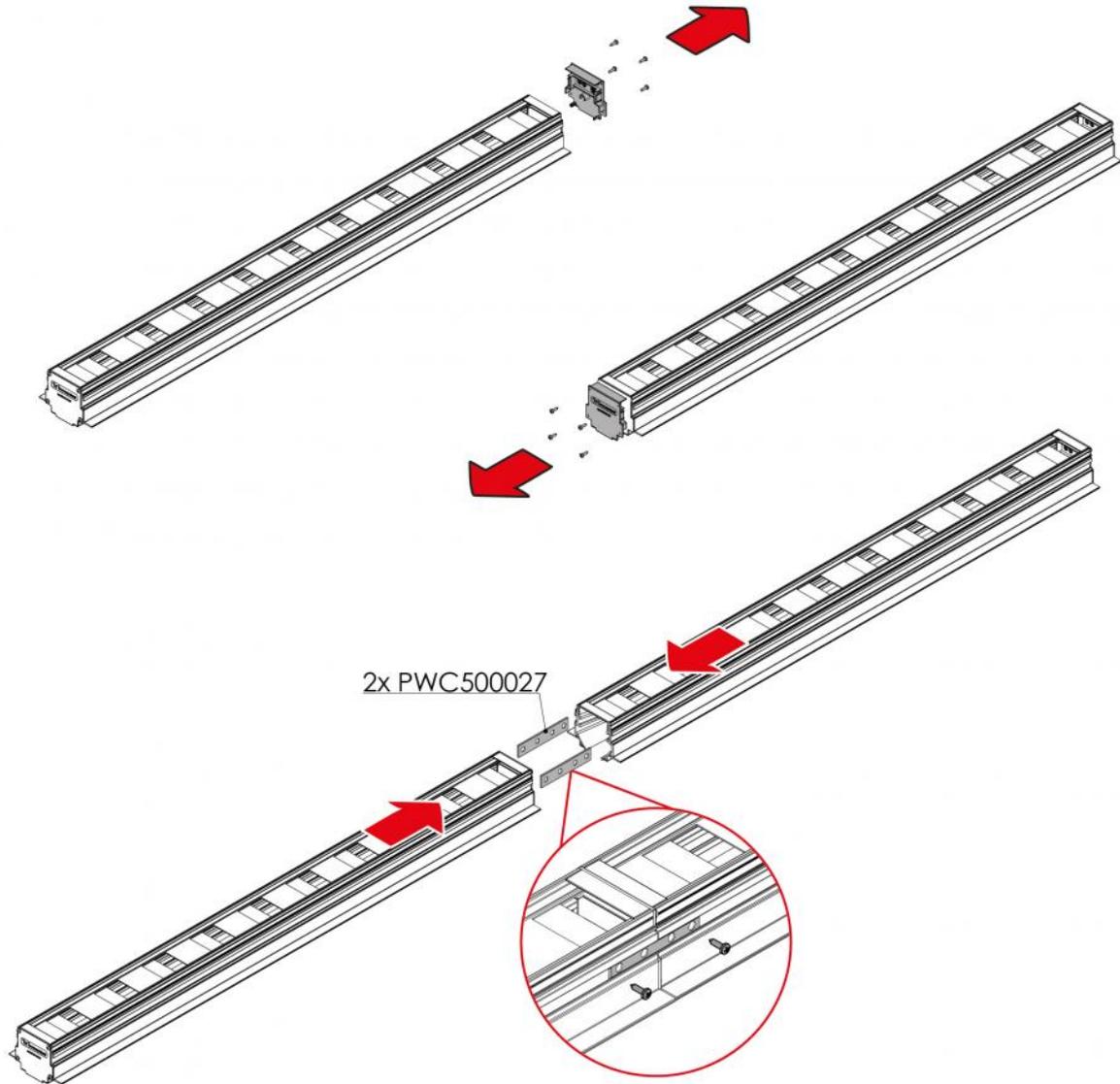


Use a screwdriver to adjust the damper, acting beneath the diffuser.

EXAMPLE OF COLLAR AND/OR VMC BUILT-IN INSTALLATION BOX INSTALLATION



EXAMPLE OF CONTINUITY KIT FIXING



ITEMS

CODE	DESCRIPTION
PWD301537	CONCEALED LINEAR DIFFUSOR IN ALUMINIUM WITH DAMPER, INSULATED PLENUM AND CENTRAL DEFLECTOR L600mm SLOT 20mm WHITE
PWD301538	CONCEALED LINEAR DIFFUSOR IN ALUMINIUM WITH DAMPER, INSULATED PLENUM AND CENTRAL DEFLECTOR L600mm SLOT 20mm BLACK
PWD301545	CONCEALED LINEAR DIFFUSOR IN ALUMINIUM WITH DAMPER, INSULATED PLENUM AND CENTRAL DEFLECTOR L600mm SLOT 30mm WHITE
PWD301546	CONCEALED LINEAR DIFFUSOR IN ALUMINIUM WITH DAMPER, INSULATED PLENUM AND CENTRAL DEFLECTOR L600mm SLOT 30mm BLACK
PWD301553	CONCEALED LINEAR DIFFUSOR IN ALUMINIUM WITH DAMPER, INSULATED PLENUM AND CENTRAL DEFLECTOR L800mm SLOT 20mm WHITE
PWD301554	CONCEALED LINEAR DIFFUSOR IN ALUMINIUM WITH DAMPER, INSULATED PLENUM AND CENTRAL DEFLECTOR L800mm SLOT 20mm BLACK
PWD301561	CONCEALED LINEAR DIFFUSOR IN ALUMINIUM WITH DAMPER, INSULATED PLENUM AND CENTRAL DEFLECTOR L800mm SLOT 30mm WHITE
PWD301562	CONCEALED LINEAR DIFFUSOR IN ALUMINIUM WITH DAMPER, INSULATED PLENUM AND CENTRAL DEFLECTOR L800mm SLOT 30mm BLACK
PWD301569	CONCEALED LINEAR DIFFUSOR IN ALUMINIUM WITH DAMPER, INSULATED PLENUM AND CENTRAL DEFLECTOR L1000mm SLOT 20mm WHITE
PWD301570	CONCEALED LINEAR DIFFUSOR IN ALUMINIUM WITH DAMPER, INSULATED PLENUM AND CENTRAL DEFLECTOR L1000mm SLOT 20mm BLACK
PWD301577	CONCEALED LINEAR DIFFUSOR IN ALUMINIUM WITH DAMPER, INSULATED PLENUM AND CENTRAL DEFLECTOR L1000mm SLOT 30mm WHITE
PWD301578	CONCEALED LINEAR DIFFUSOR IN ALUMINIUM WITH DAMPER, INSULATED PLENUM AND CENTRAL DEFLECTOR L1000mm SLOT 30mm BLACK
PWD301585	CONCEALED LINEAR DIFFUSOR IN ALUMINIUM WITH DAMPER, INSULATED PLENUM AND CENTRAL DEFLECTOR L1500mm SLOT 20mm WHITE
PWD301586	CONCEALED LINEAR DIFFUSOR IN ALUMINIUM WITH DAMPER, INSULATED PLENUM AND CENTRAL DEFLECTOR L1500mm SLOT 20mm BLACK
PWD301593	CONCEALED LINEAR DIFFUSOR IN ALUMINIUM WITH DAMPER, INSULATED PLENUM AND CENTRAL DEFLECTOR L1500mm SLOT 30mm WHITE
PWD301594	CONCEALED LINEAR DIFFUSOR IN ALUMINIUM WITH DAMPER, INSULATED PLENUM AND CENTRAL DEFLECTOR L1500mm SLOT 30mm BLACK
PWD301601	CONCEALED LINEAR DIFFUSOR IN ALUMINIUM WITH DAMPER, INSULATED PLENUM AND CENTRAL DEFLECTOR L2000mm SLOT 20mm WHITE
PWD301602	CONCEALED LINEAR DIFFUSOR IN ALUMINIUM WITH DAMPER, INSULATED PLENUM AND CENTRAL DEFLECTOR L2000mm SLOT 20mm BLACK
PWD301609	CONCEALED LINEAR DIFFUSOR IN ALUMINIUM WITH DAMPER, INSULATED PLENUM AND CENTRAL DEFLECTOR L2000mm SLOT 30mm WHITE
PWD301610	CONCEALED LINEAR DIFFUSOR IN ALUMINIUM WITH DAMPER, INSULATED PLENUM AND CENTRAL DEFLECTOR L2000mm SLOT 30mm BLACK

All rights relating to this publication are the exclusive property of Tecnosystemi SpA.
Tecnosystemi SpA reserves the right to make changes at any time and without notice, for technical or commercial needs.