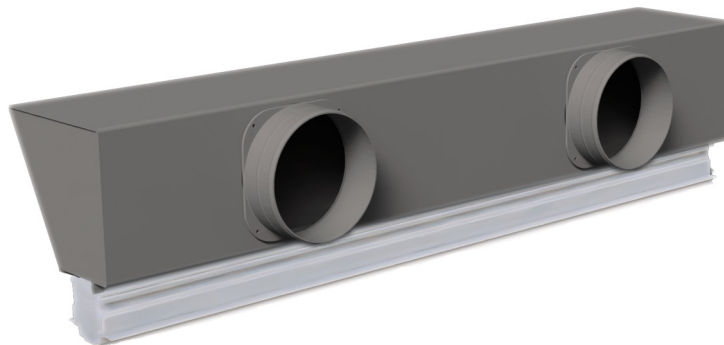


Linear retracting diffuser in ALUMINIUM with damper, insulated plenum and side baffles

- cod. PWD301535 - cod. PWD301536 - cod. PWD301543
- cod. PWD301544 - cod. PWD301551 - cod. PWD301552
- cod. PWD301559 - cod. PWD301560 - cod. PWD301567
- cod. PWD301568 - cod. PWD301575 - cod. PWD301576
- cod. PWD301583 - cod. PWD301584 - cod. PWD301591
- cod. PWD301592 - cod. PWD301599 - cod. PWD301600
- cod. PWD301607 - cod. PWD301608



DESCRIPTION

Linear retracting diffuser in aluminium with damper, insulated plenum and side baffles.

Available with 20 or 30 mm slot in black or white.

With a unique, original design, the plenum is made of galvanised metal sheet coated with closed-cell polyethylene.

This retracting linear diffuser combines design and function, blending perfectly into any room, with uniform air diffusion and high thermal induction.

The inlet collars are included in the pack and must be assembled according to installation needs.

The plenum has other built-in installation boxes for additional ducts and VMC ducts, break as needed.

The damper is used to control the required amount of air and can be calibrated using a screwdriver.

Housings are obtained from inside the profiles to enable the mounting of adjustable PVC baffles.

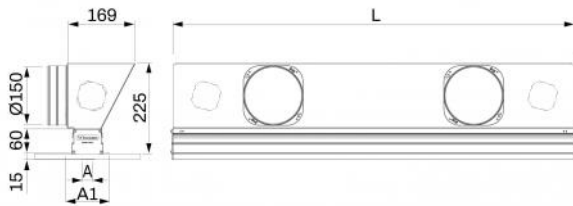
By changing the baffle direction it is possible to deliver the air flow according to the place of installation, if necessary obtaining a Coanda effect.

APPLICATIONS

Diffuser ideal for wall or ceiling installations, in both delivery and intake, at a height between 2.5 m and 3.1 m.

ACCESSORIES

- False ceiling brackets, included.
- Continuity kit, can be purchased separately.



DIMENSIONS

CODE	L [mm]	A [mm]	A1 [mm]	COUPLING Ø150
PWD301535	600	20	100	1
PWD301536	600	20	100	1
PWD301543	600	30	110	1
PWD301544	600	30	110	1
PWD301551	800	20	100	2
PWD301552	800	20	100	2
PWD301559	800	30	110	2
PWD301560	800	30	110	2
PWD301567	1000	20	100	2
PWD301568	1000	20	100	2
PWD301575	1000	30	110	2
PWD301576	1000	30	110	2
PWD301583	1500	20	100	3
PWD301584	1500	20	100	3
PWD301591	1500	30	110	3
PWD301592	1500	30	110	3
PWD301599	2000	20	100	4
PWD301600	2000	20	100	4
PWD301607	2000	30	110	4
PWD301608	2000	30	110	4

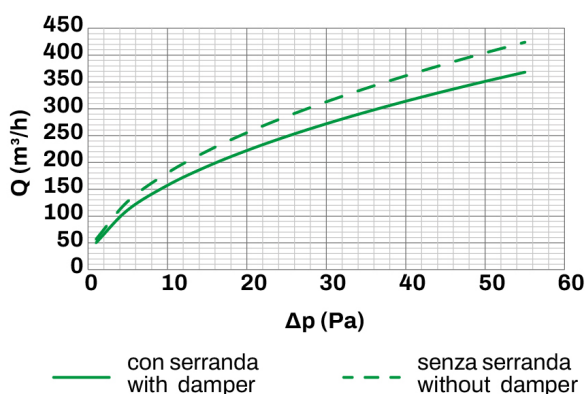
INFORMATION

Measures are indicated in millimetres (mm), unless otherwise specified.

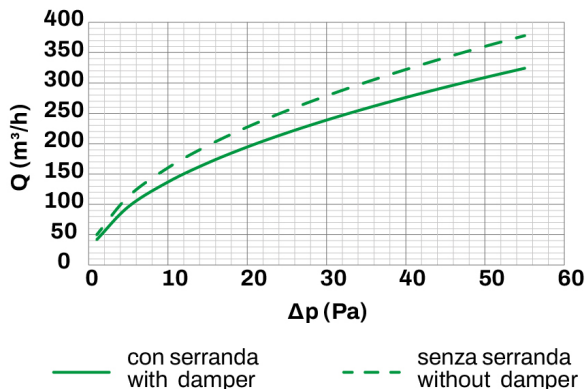
The plasterboard thickness calculated for these configurations is 12.5 mm (not included in the supply).

LOAD CAPACITY AND PRESSURE DROP CURVES

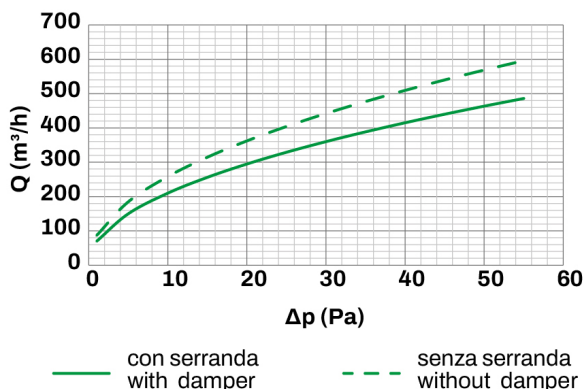
20 mm slot with or without damper, vertical baffles



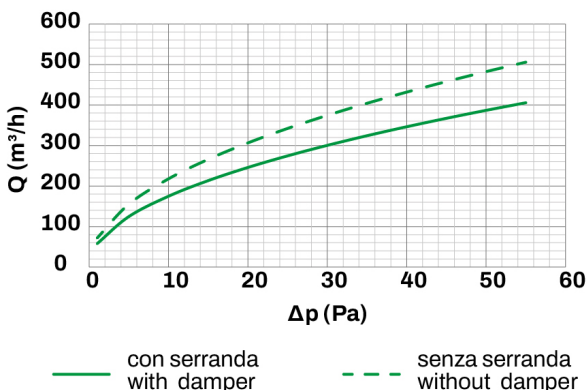
20 mm slot with or without damper, tilted baffles



30 mm slot with or without damper, vertical baffles



30 mm slot with or without damper, tilted baffles

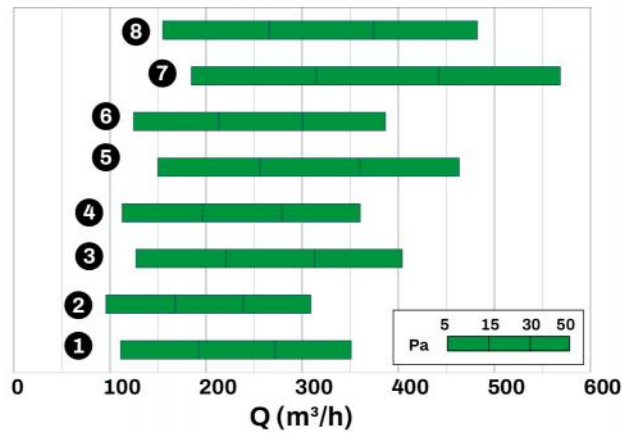


MODEL	Ak [m²]	Qv min [m³/h]	Qv max [m³/h]	Lwa min [dB(A)]	Lwa max [dB(A)]	DP min [Pa]	DP max [Pa]
SLOT 20	0.02	155	350	32	46	10	50
SLOT 30	0.03	210	465	33	47	10	50

INFORMATION

The data in the table refers to 1000 mm long linear retracting diffusers, with fully open damper and vertical baffles.

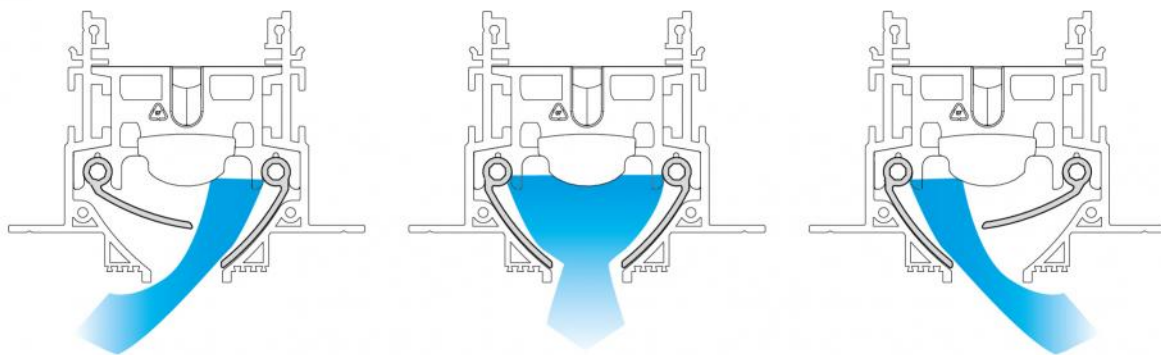
SHORTCUT DIAGRAM



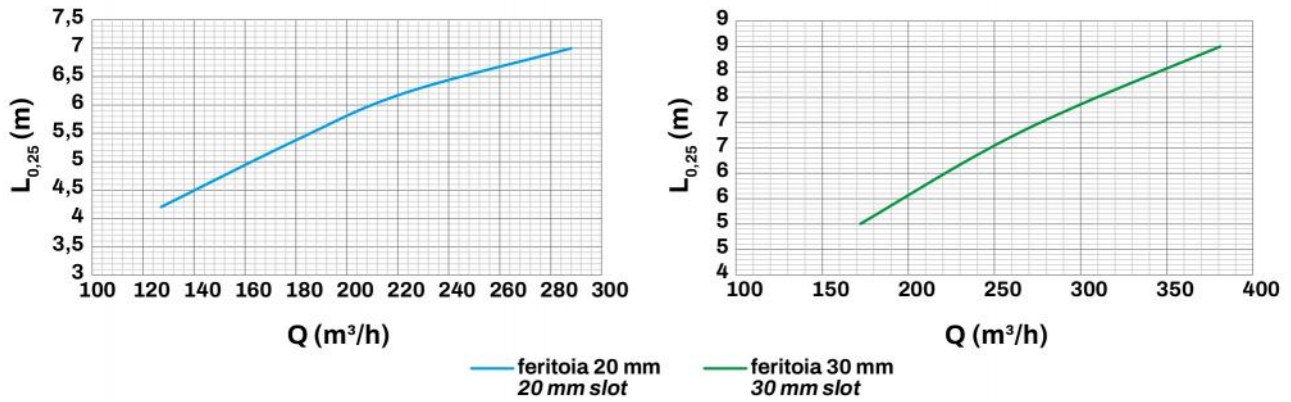
- [1] 20 mm slot with damper, vertical baffle
- [2] 20 mm slot with damper, tilted baffle
- [3] 20 mm slot without damper, vertical baffle
- [4] 20 mm slot without damper, tilted baffle
- [5] 30 mm slot with damper, vertical baffle

- [6] 30 mm slot with damper, tilted baffle
- [7] 30 mm slot without damper, vertical baffle
- [8] 30 mm slot without damper, tilted baffle

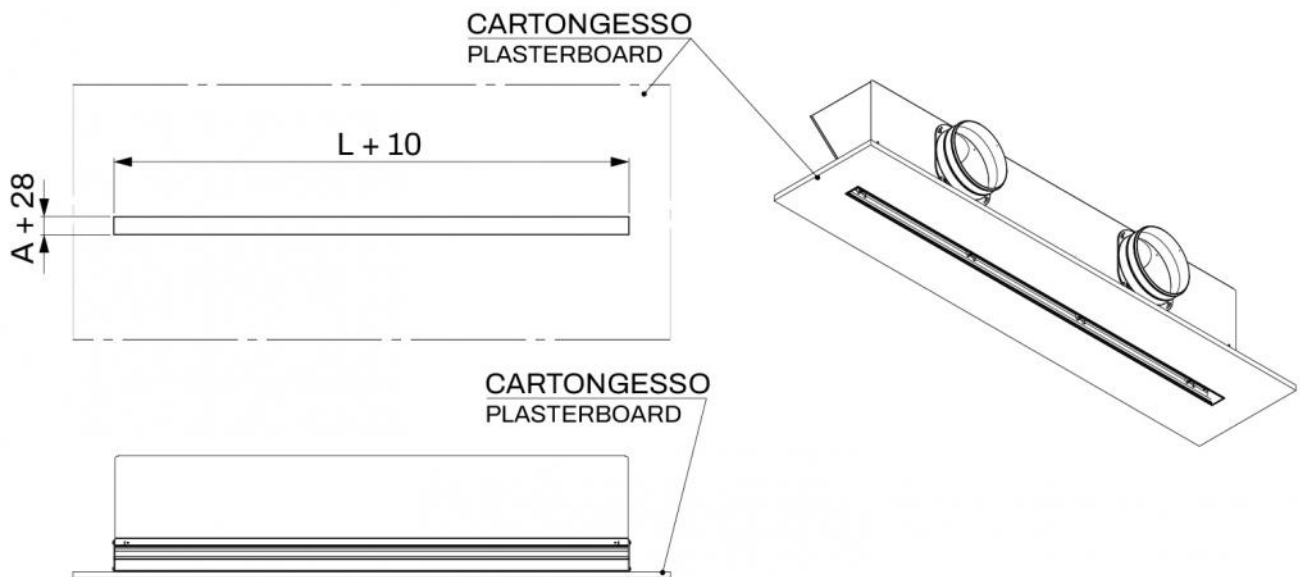
EXAMPLE OF FLOW



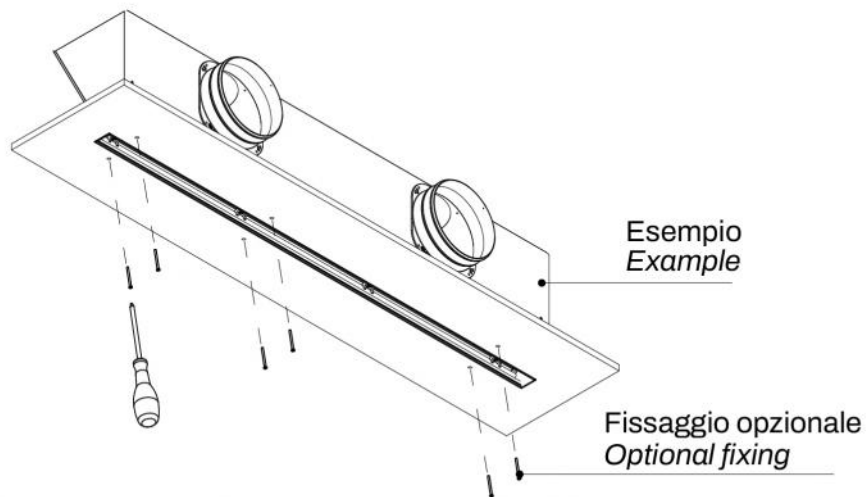
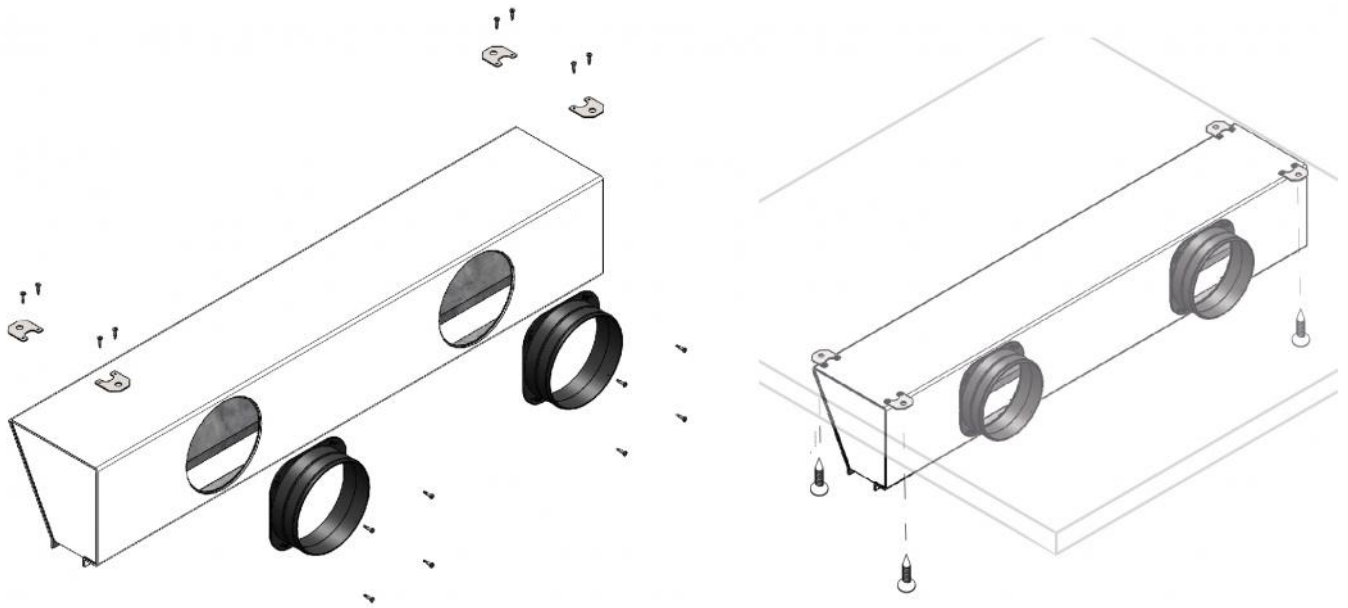
HORIZONTAL FLOW CHART WITH TILTED BAFFLE



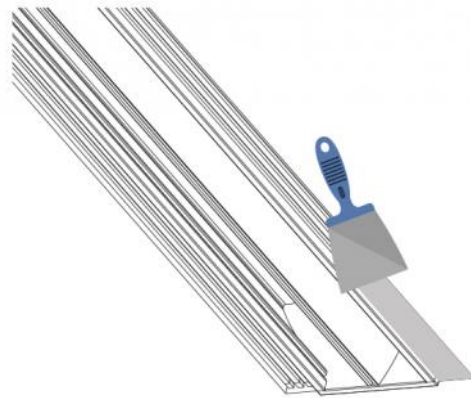
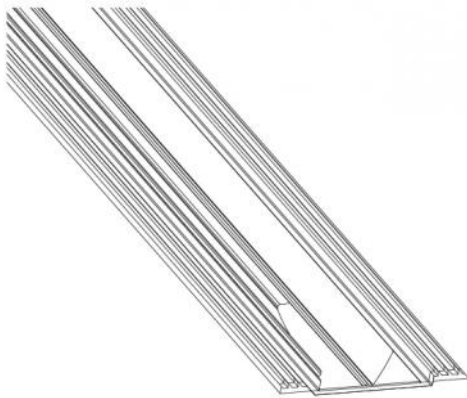
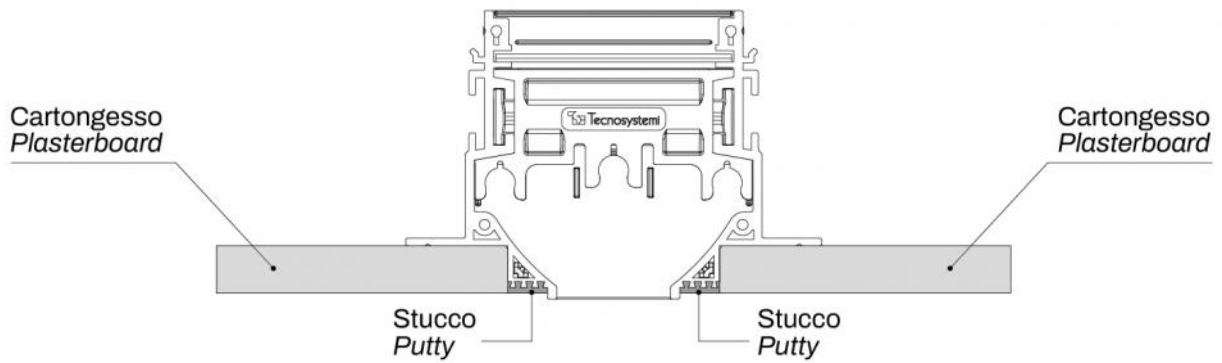
BUILT-IN INSTALLATION BOX FOR WALLS



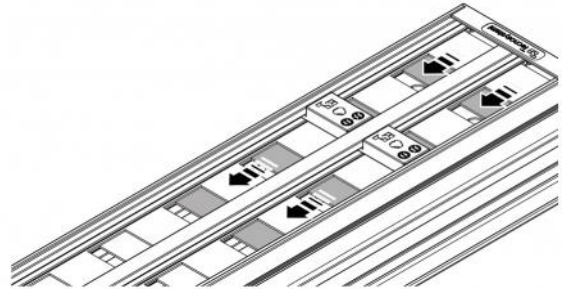
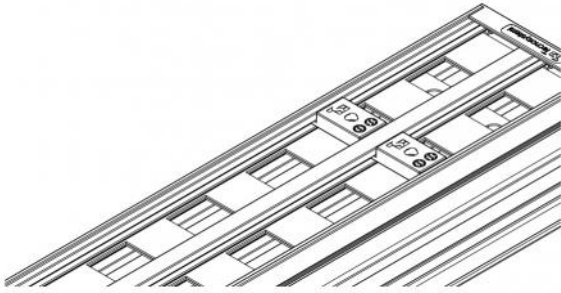
EXAMPLE OF INSTALLATION:



STUCCATURA

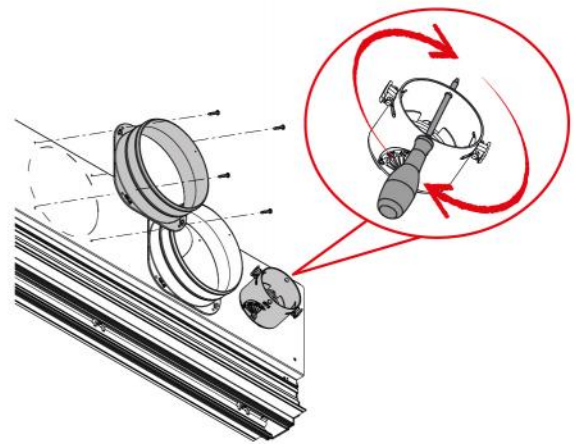
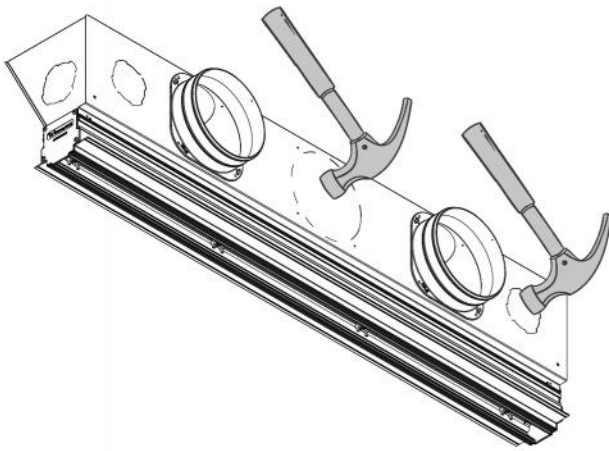


DAMPER ADJUSTMENT

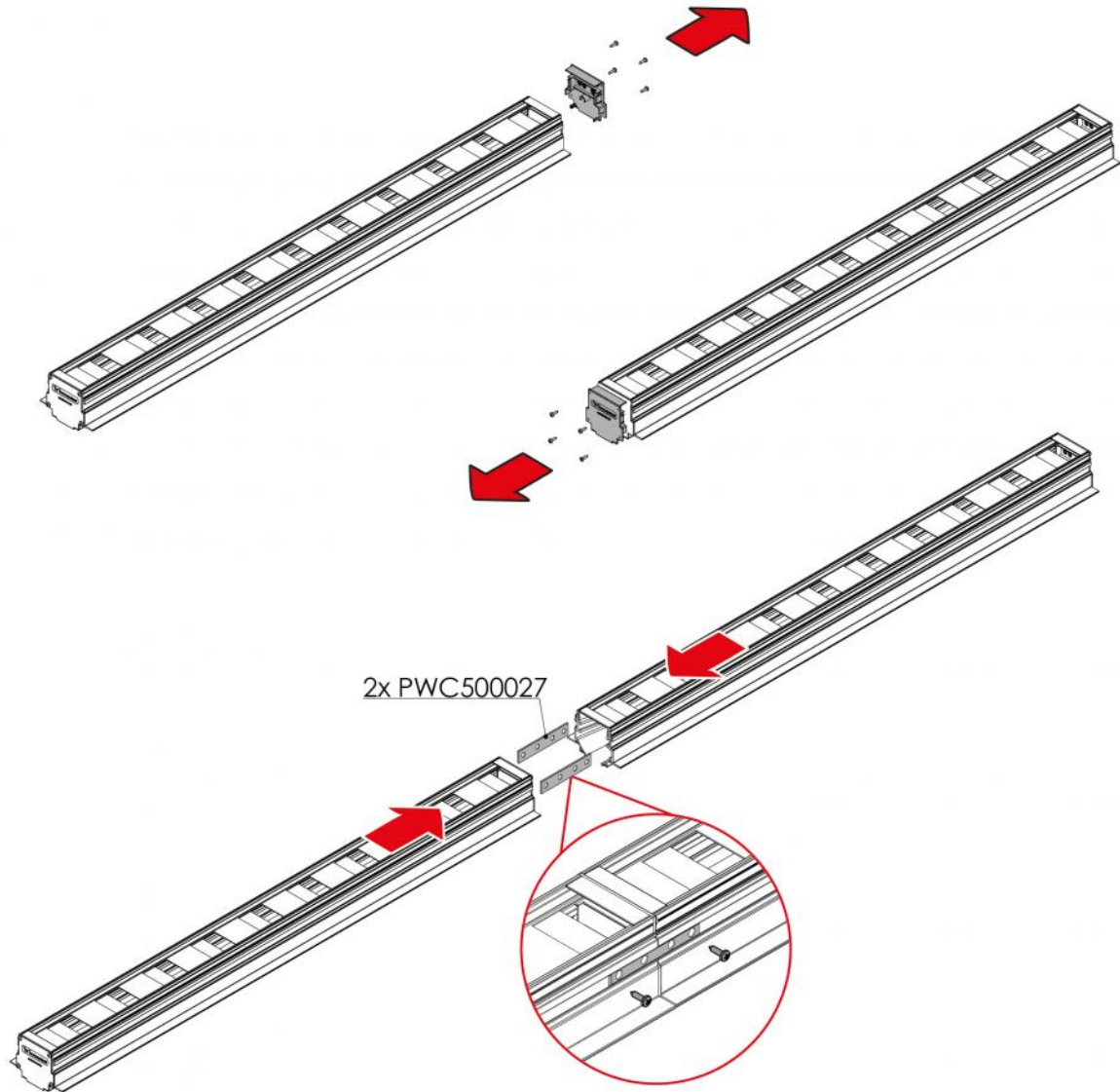


Use a screwdriver to adjust the damper, acting beneath the diffuser.

EXAMPLE OF COLLAR AND/OR VMC BUILT-IN INSTALLATION BOX INSTALLATION



EXAMPLE OF CONTINUITY KIT FIXING



ITEMS

CODE	DESCRIPTION
PWD301535	CONCEALED LINEAR RETURN DIFFUSER IN ALUMINIUM WITH DAMPER, INSULATED PLENUM AND SIDE DEFLECTORS L600mm SLOT 20mm WHITE
PWD301536	CONCEALED LINEAR RETURN DIFFUSER IN ALUMINIUM WITH DAMPER, INSULATED PLENUM AND SIDE DEFLECTORS L600mm SLOT 20mm BLACK
PWD301543	CONCEALED LINEAR RETURN DIFFUSER IN ALUMINIUM WITH DAMPER, INSULATED PLENUM AND SIDE DEFLECTORS L600mm SLOT 30mm WHITE
PWD301544	CONCEALED LINEAR RETURN DIFFUSER IN ALUMINIUM WITH DAMPER, INSULATED PLENUM AND SIDE DEFLECTORS L600mm SLOT 30mm BLACK
PWD301551	CONCEALED LINEAR RETURN DIFFUSER IN ALUMINIUM WITH DAMPER, INSULATED PLENUM AND SIDE DEFLECTORS L800mm SLOT 20mm WHITE
PWD301552	CONCEALED LINEAR RETURN DIFFUSER IN ALUMINIUM WITH DAMPER, INSULATED PLENUM AND SIDE DEFLECTORS L800mm SLOT 20mm BLACK
PWD301559	CONCEALED LINEAR RETURN DIFFUSER IN ALUMINIUM WITH DAMPER, INSULATED PLENUM AND SIDE DEFLECTORS L800mm SLOT 30mm WHITE
PWD301560	CONCEALED LINEAR RETURN DIFFUSER IN ALUMINIUM WITH DAMPER, INSULATED PLENUM AND SIDE DEFLECTORS L800mm SLOT 30mm BLACK
PWD301567	CONCEALED LINEAR RETURN DIFFUSER IN ALUMINIUM WITH DAMPER, INSULATED PLENUM AND SIDE DEFLECTORS L1000mm SLOT 20mm WHITE
PWD301568	CONCEALED LINEAR RETURN DIFFUSER IN ALUMINIUM WITH DAMPER, INSULATED PLENUM AND SIDE DEFLECTORS L1000mm SLOT 20mm BLACK
PWD301575	CONCEALED LINEAR RETURN DIFFUSER IN ALUMINIUM WITH DAMPER, INSULATED PLENUM AND SIDE DEFLECTORS L1000mm SLOT 30mm WHITE
PWD301576	CONCEALED LINEAR RETURN DIFFUSER IN ALUMINIUM WITH DAMPER, INSULATED PLENUM AND SIDE DEFLECTORS L1000mm SLOT 30mm BLACK
PWD301583	CONCEALED LINEAR RETURN DIFFUSER IN ALUMINIUM WITH DAMPER, INSULATED PLENUM AND SIDE DEFLECTORS L1500mm SLOT 20mm WHITE
PWD301584	CONCEALED LINEAR RETURN DIFFUSER IN ALUMINIUM WITH DAMPER, INSULATED PLENUM AND SIDE DEFLECTORS L1500mm SLOT 20mm BLACK
PWD301591	CONCEALED LINEAR RETURN DIFFUSER IN ALUMINIUM WITH DAMPER, INSULATED PLENUM AND SIDE DEFLECTORS L1500mm SLOT 30mm WHITE
PWD301592	CONCEALED LINEAR RETURN DIFFUSER IN ALUMINIUM WITH DAMPER, INSULATED PLENUM AND SIDE DEFLECTORS L1500mm SLOT 30mm BLACK
PWD301599	CONCEALED LINEAR RETURN DIFFUSER IN ALUMINIUM WITH DAMPER, INSULATED PLENUM AND SIDE DEFLECTORS L2000mm SLOT 20mm WHITE
PWD301600	CONCEALED LINEAR RETURN DIFFUSER IN ALUMINIUM WITH DAMPER, INSULATED PLENUM AND SIDE DEFLECTORS L2000mm SLOT 20mm BLACK
PWD301607	CONCEALED LINEAR RETURN DIFFUSER IN ALUMINIUM WITH DAMPER, INSULATED PLENUM AND SIDE DEFLECTORS L2000mm SLOT 30mm WHITE
PWD301608	CONCEALED LINEAR RETURN DIFFUSER IN ALUMINIUM WITH DAMPER, INSULATED PLENUM AND SIDE DEFLECTORS L2000mm SLOT 30mm BLACK

All rights relating to this publication are the exclusive property of Tecnosystemi SpA.
Tecnosystemi SpA reserves the right to make changes at any time and without notice, for technical or commercial needs.