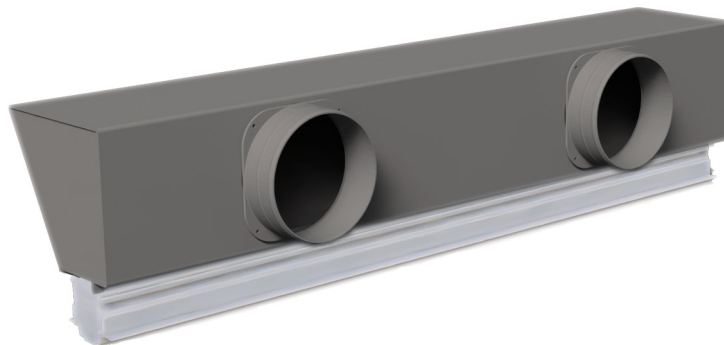


# Linear retracting diffuser in anti-condensate PVC with insulated damper and plenum

- cod. PWD301408 - cod. PWD301409 - cod. PWD301416  
- cod. PWD301417 - cod. PWD301424 - cod. PWD301425  
- cod. PWD301432 - cod. PWD301433 - cod. PWD301440  
- cod. PWD301441 - cod. PWD301448 - cod. PWD301449  
- cod. PWD301456 - cod. PWD301457 - cod. PWD301464  
- cod. PWD301465 - cod. PWD301472 - cod. PWD301473  
- cod. PWD301480 - cod. PWD301481



## DESCRIPTION

Linear retracting diffuser in anti-condensate PVC with insulated damper and plenum.

Available with 20 or 30 mm slot in black or white.

With a unique, original design, the plenum is made of galvanised metal sheet coated with closed-cell polyethylene.

This retracting linear diffuser combines design and function, blending perfectly into any room, with uniform air diffusion and high thermal induction.

This innovative diffuser is made from PVC which, in contrast to aluminium, due to its physical characteristics does not produce condensate; this avoids the formation of fungi, mould and bacteria inside the diffuser and ensures excellent wall insulation.

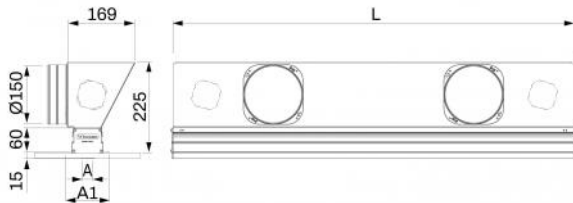
The inlet collars are included in the pack and must be assembled according to installation needs.

The plenum has other built-in installation boxes for additional ducts and VMC ducts, break as needed.

The damper is used to control the required amount of air and can be calibrated using a screwdriver.

## ACCESSORIES

- False ceiling brackets, included.
- Continuity kit, can be purchased separately.



## DIMENSIONS

CODE	L [mm]	A [mm]	A1 [mm]	COUPLING Ø50
PWD301408	600	20	100	1
PWD301409	600	20	100	1
PWD301416	600	30	110	1
PWD301417	600	30	110	1
PWD301424	800	20	100	2
PWD301425	800	20	100	2
PWD301432	800	30	110	2
PWD301433	800	30	110	2
PWD301440	1000	20	100	2
PWD301441	1000	20	100	2
PWD301448	1000	30	110	2
PWD301449	1000	30	110	2
PWD301456	1500	20	100	3
PWD301457	1500	20	100	3
PWD301464	1500	30	110	3
PWD301465	1500	30	110	3
PWD301472	2000	20	100	4
PWD301473	2000	20	100	4
PWD301480	2000	30	110	4
PWD301481	2000	30	110	4

## INFORMATION

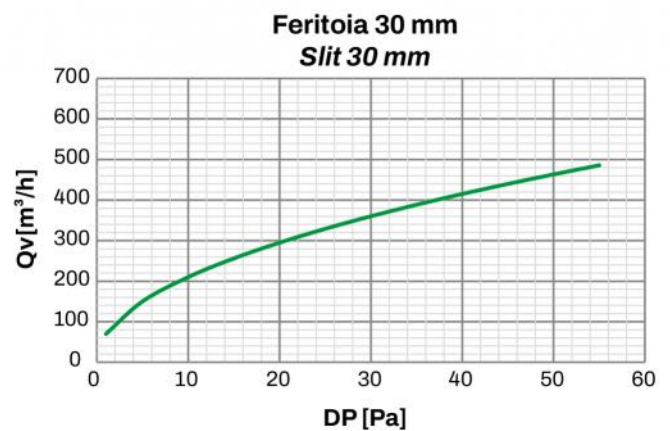
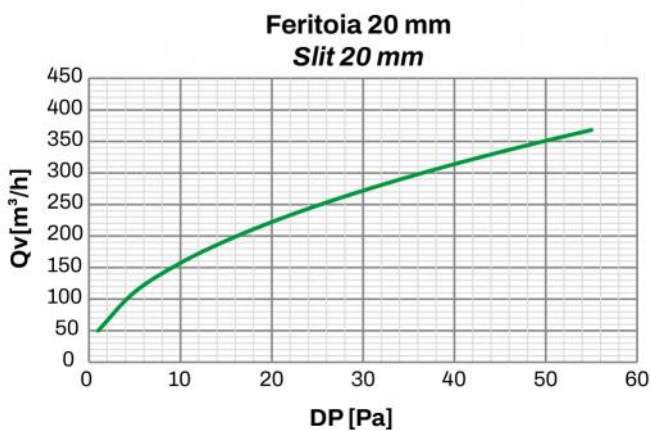
Measures are indicated in millimetres (mm), unless otherwise specified.

The plasterboard thickness calculated for these configurations is 12.5 mm (not included in the supply).

## TECHNICAL DATA

DIFFUSER	TECHNICAL SPECIFICATIONS
Material:	Anti-condensate PVC
Colour:	White / Black
Flammability rating:	V0
Operating temperature	-30°C ... +60°C

## LOAD CAPACITY AND PRESSURE DROP CURVES

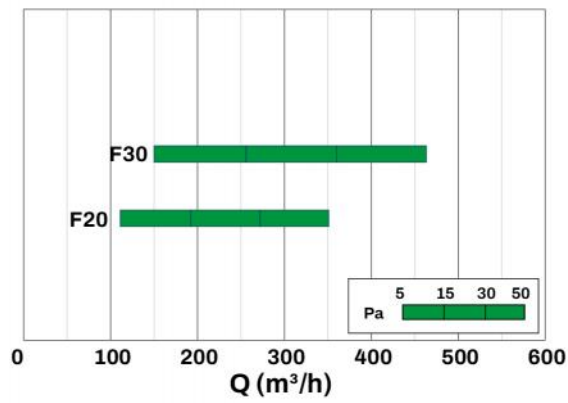


MODEL	Ak [m²]	Qv min [m³/h]	Qv max [m³/h]	Lwa min [dB(A)]	Lwa max [dB(A)]	DP min [Pa]	DP max [Pa]
SLOT 20	0.02	155	350	32	46	10	50
SLOT 30	0.03	210	465	33	47	10	50

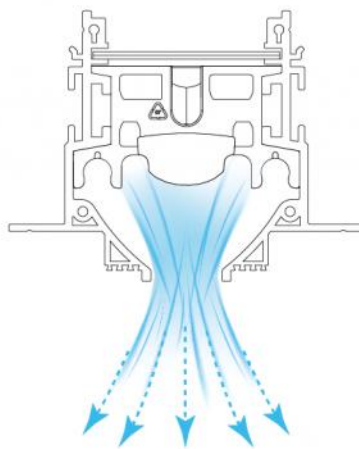
## INFORMATION

The table data refer to 1000 mm long linear retracting diffusers

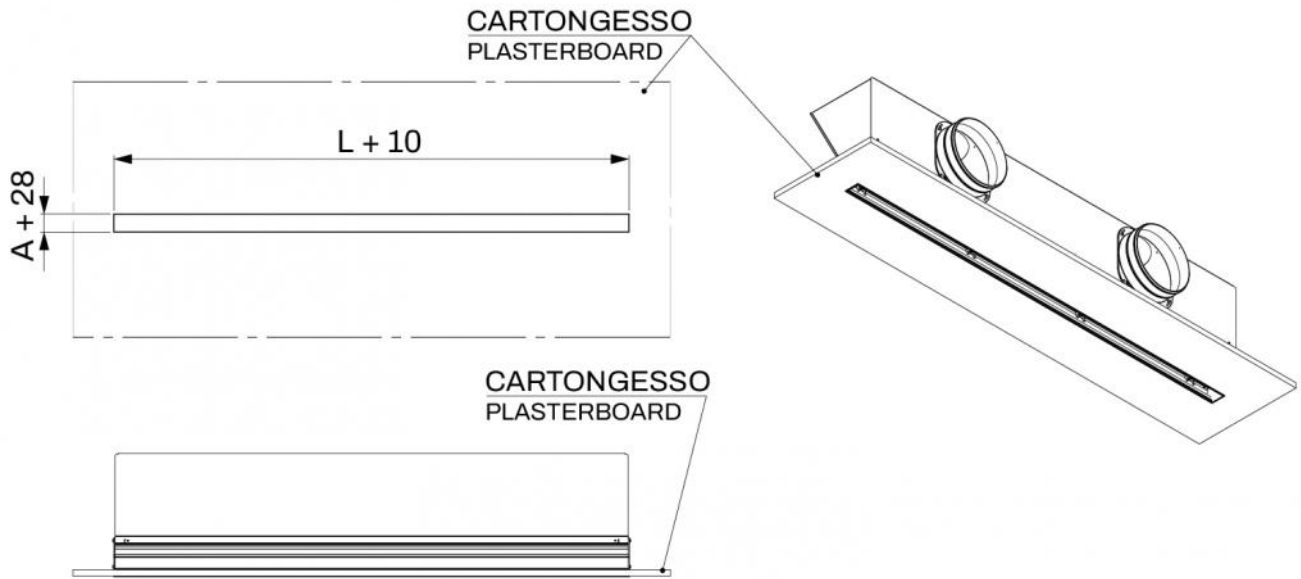
## SHORTCUT DIAGRAM



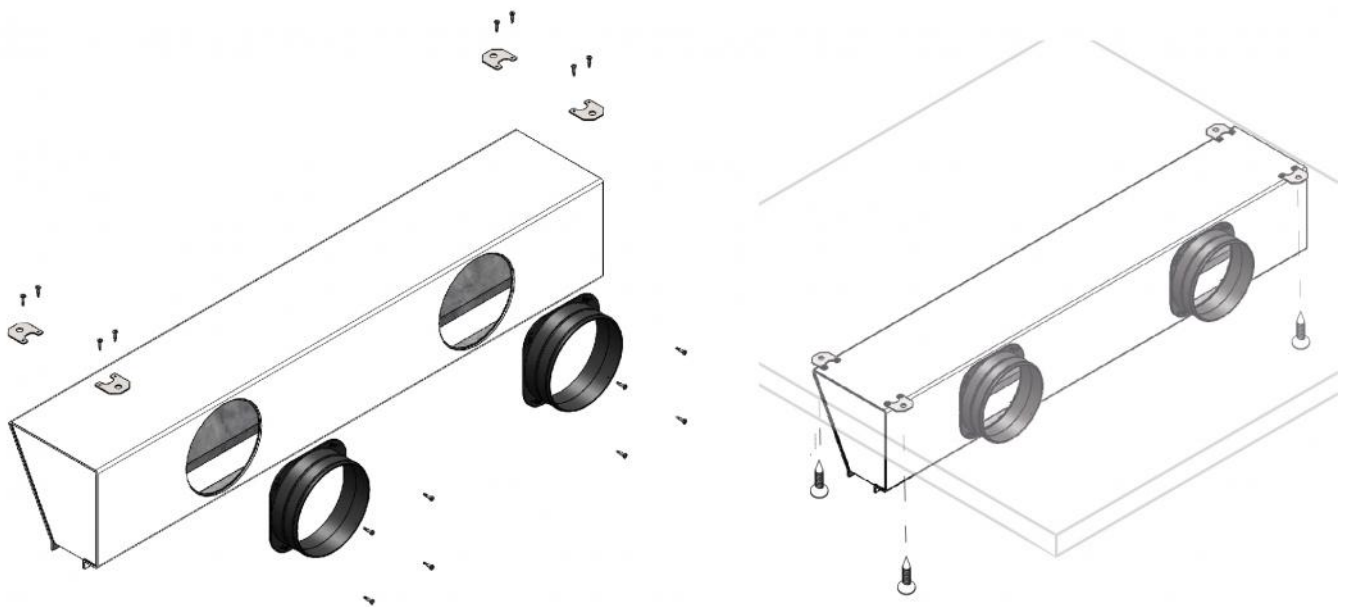
## EXAMPLE OF VERTICAL FLOW

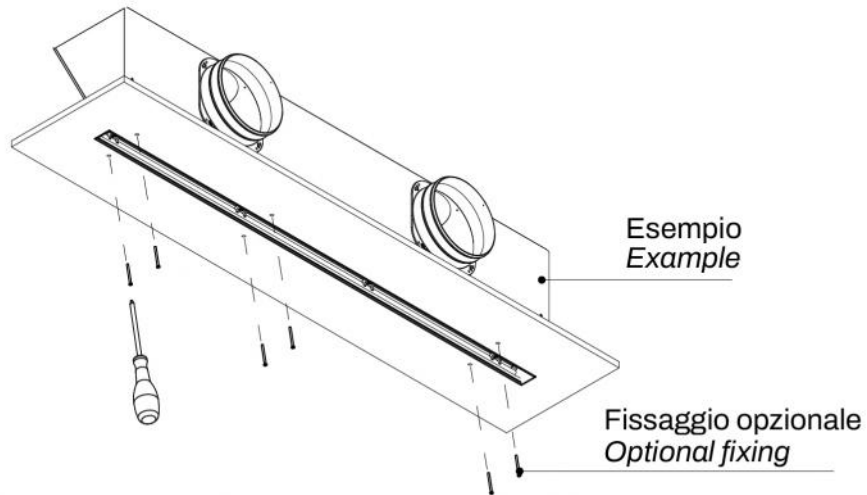


## BUILT-IN INSTALLATION BOX FOR WALLS

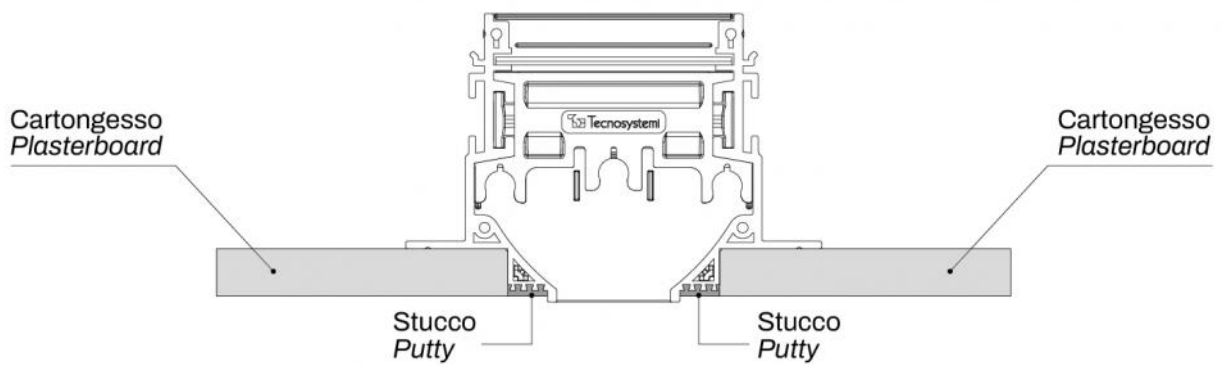


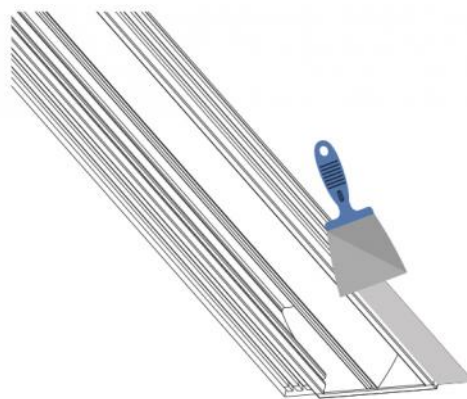
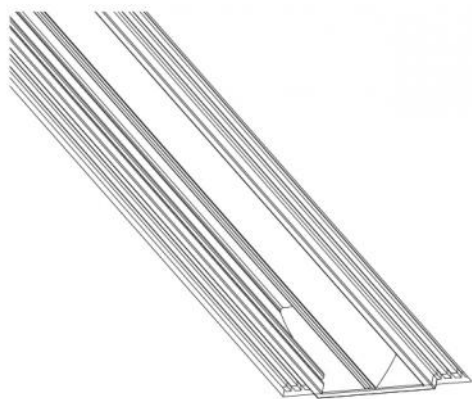
## EXAMPLE OF INSTALLATION:



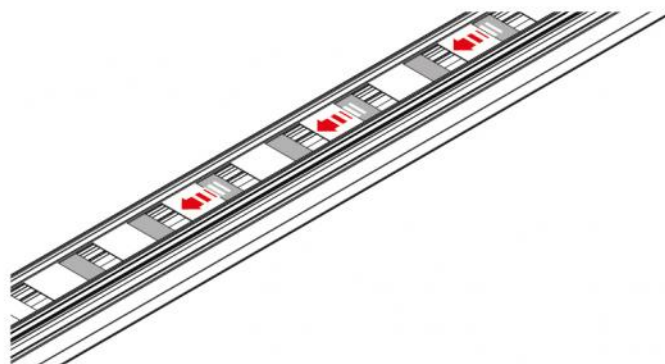
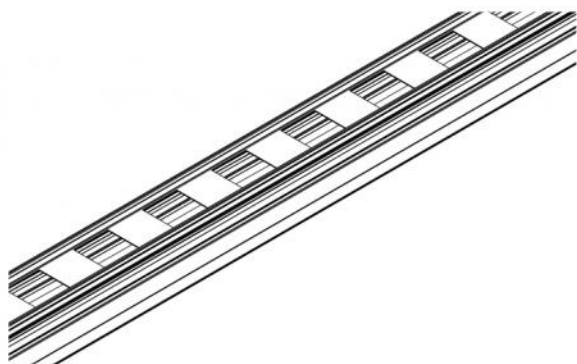


## STUCCATURA



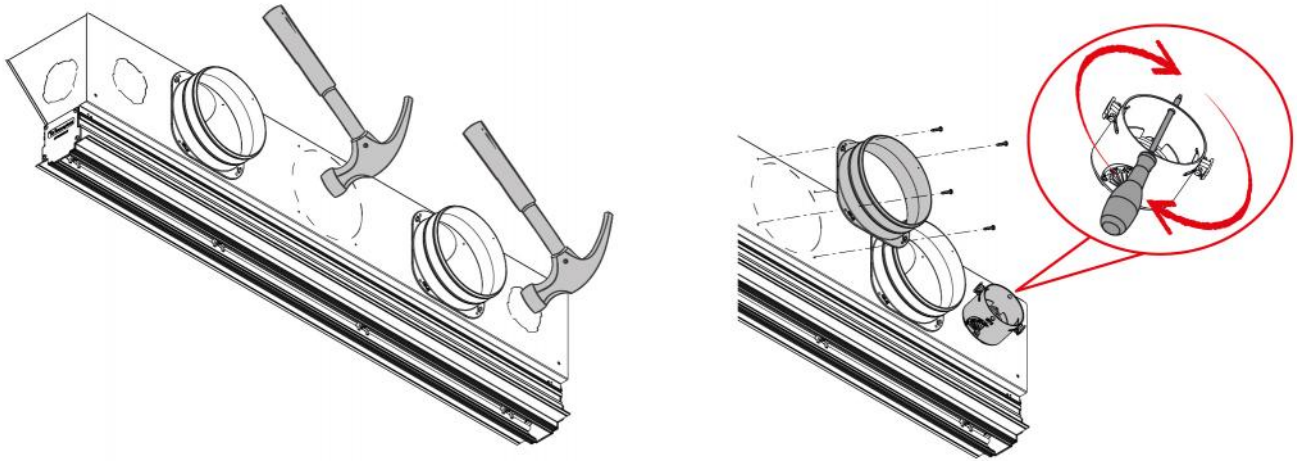


## DAMPER ADJUSTMENT



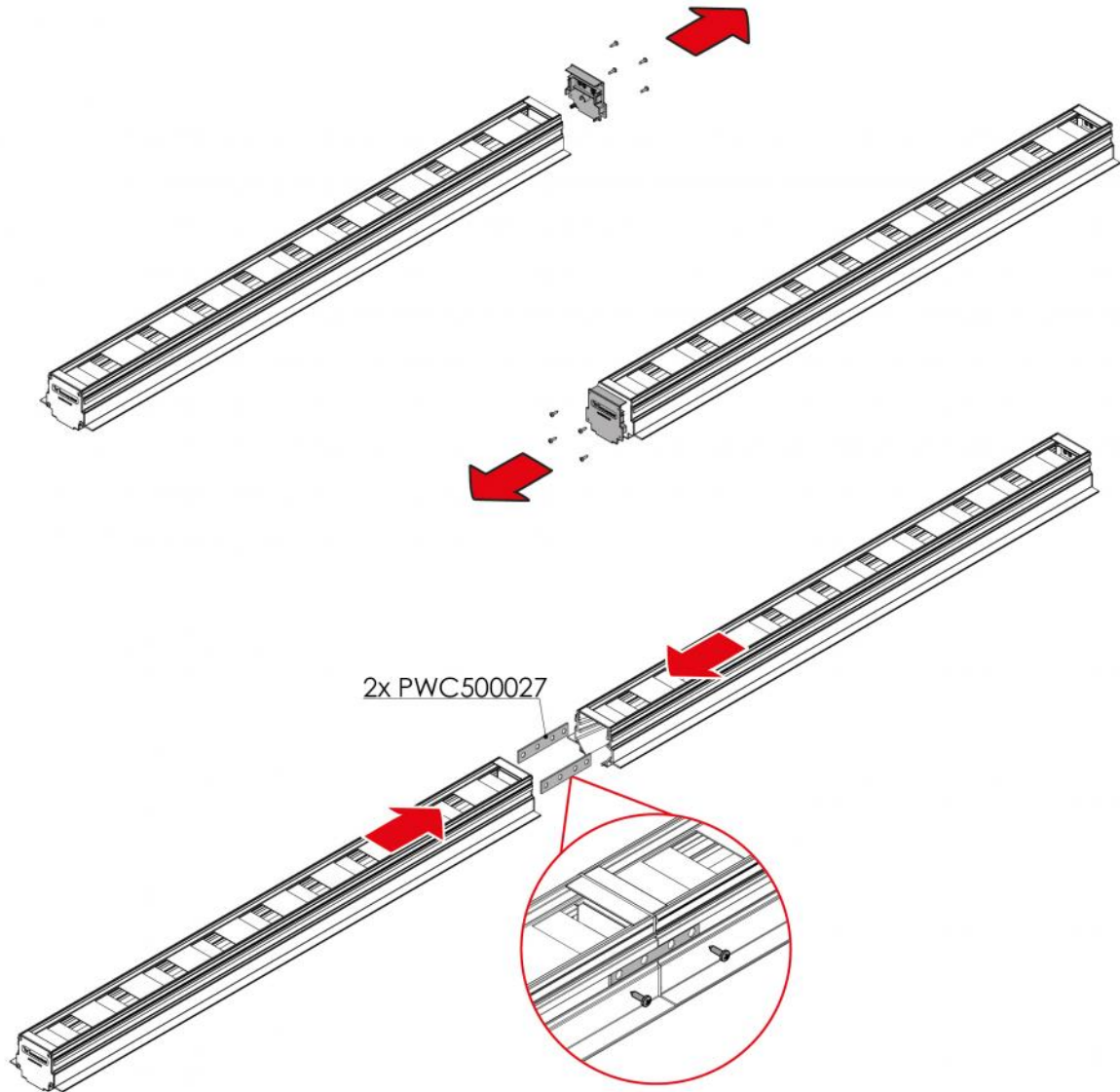
Use a screwdriver to adjust the damper, acting beneath the diffuser.

## EXAMPLE OF COLLAR AND/OR VMC BUILT-IN INSTALLATION BOX INSTALLATION





## EXAMPLE OF CONTINUITY KIT FIXING



## ITEMS

CODE	DESCRIPTION
PWD301408	CONCEALED LINEAR DIFFUSER IN ANTI-CONDENSING PVC WITH DAMPER AND INSULATED PLENUM L600mm SLOT 20mm WHITE
PWD301409	CONCEALED LINEAR DIFFUSER IN ANTI-CONDENSING PVC WITH DAMPER AND INSULATED PLENUM L600mm SLOT 20mm BLACK
PWD301416	CONCEALED LINEAR DIFFUSER IN ANTI-CONDENSING PVC WITH DAMPER AND INSULATED PLENUM L600mm SLOT 30mm WHITE
PWD301417	CONCEALED LINEAR DIFFUSER IN ANTI-CONDENSING PVC WITH DAMPER AND INSULATED PLENUM L600mm SLOT 30mm BLACK
PWD301424	CONCEALED LINEAR DIFFUSER IN ANTI-CONDENSING PVC WITH DAMPER AND INSULATED PLENUM L800mm SLOT 20mm WHITE
PWD301425	CONCEALED LINEAR DIFFUSER IN ANTI-CONDENSING PVC WITH DAMPER AND INSULATED PLENUM L800mm SLOT 20mm BLACK
PWD301432	CONCEALED LINEAR DIFFUSER IN ANTI-CONDENSING PVC WITH DAMPER AND INSULATED PLENUM L800mm SLOT 30mm WHITE
PWD301433	CONCEALED LINEAR DIFFUSER IN ANTI-CONDENSING PVC WITH DAMPER AND INSULATED PLENUM L800mm SLOT 30mm BLACK
PWD301440	CONCEALED LINEAR DIFFUSER IN ANTI-CONDENSING PVC WITH DAMPER AND INSULATED PLENUM L1000mm SLOT 20mm WHITE
PWD301441	CONCEALED LINEAR DIFFUSER IN ANTI-CONDENSING PVC WITH DAMPER AND INSULATED PLENUM L1000mm SLOT 20mm BLACK
PWD301448	CONCEALED LINEAR DIFFUSER IN ANTI-CONDENSING PVC WITH DAMPER AND INSULATED PLENUM L1000mm SLOT 30mm WHITE
PWD301449	CONCEALED LINEAR DIFFUSER IN ANTI-CONDENSING PVC WITH DAMPER AND INSULATED PLENUM L1000mm SLOT 30mm BLACK
PWD301456	CONCEALED LINEAR DIFFUSER IN ANTI-CONDENSING PVC WITH DAMPER AND INSULATED PLENUM L1500mm SLOT 20mm WHITE
PWD301457	CONCEALED LINEAR DIFFUSER IN ANTI-CONDENSING PVC WITH DAMPER AND INSULATED PLENUM L1500mm SLOT 20mm BLACK
PWD301464	CONCEALED LINEAR DIFFUSER IN ANTI-CONDENSING PVC WITH DAMPER AND INSULATED PLENUM L1500mm SLOT 30mm WHITE
PWD301465	CONCEALED LINEAR DIFFUSER IN ANTI-CONDENSING PVC WITH DAMPER AND INSULATED PLENUM L1500mm SLOT 30mm BLACK
PWD301472	CONCEALED LINEAR DIFFUSER IN ANTI-CONDENSING PVC WITH DAMPER AND INSULATED PLENUM L2000mm SLOT 20mm WHITE
PWD301473	CONCEALED LINEAR DIFFUSER IN ANTI-CONDENSING PVC WITH DAMPER AND INSULATED PLENUM L2000mm SLOT 20mm BLACK
PWD301480	CONCEALED LINEAR DIFFUSER IN ANTI-CONDENSING PVC WITH DAMPER AND INSULATED PLENUM L2000mm SLOT 30mm WHITE
PWD301481	CONCEALED LINEAR DIFFUSER IN ANTI-CONDENSING PVC WITH DAMPER AND INSULATED PLENUM L2000mm SLOT 30mm BLACK

All rights relating to this publication are the exclusive property of Tecnosystemi SpA.  
Tecnosystemi SpA reserves the right to make changes at any time and without notice, for technical or commercial needs.