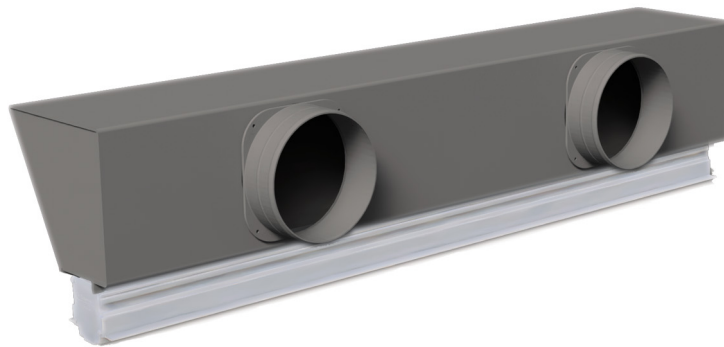


# Linear retracting intake diffuser in ALUMINIUM with insulated plenum

- cod. PWD301531 - cod. PWD301532 - cod. PWD301539
- cod. PWD301540 - cod. PWD301547 - cod. PWD301548
- cod. PWD301555 - cod. PWD301556 - cod. PWD301563
- cod. PWD301564 - cod. PWD301571 - cod. PWD301572
- cod. PWD301579 - cod. PWD301580 - cod. PWD301587
- cod. PWD301588 - cod. PWD301595 - cod. PWD301596
- cod. PWD301603 - cod. PWD301604



## DESCRIPTION

Linear retracting intake diffuser in ALUMINIUM with insulated plenum.

Available with 20 or 30 mm slot in black or white.

With a unique, original design, the plenum is made of galvanised metal sheet coated with closed-cell polyethylene.

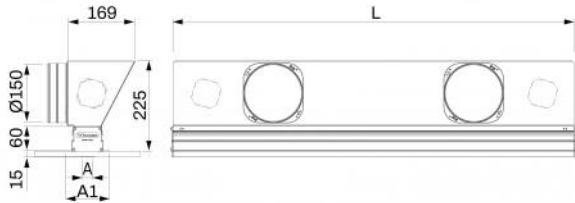
This retracting linear diffuser combines design and function, blending perfectly into any room, with uniform air diffusion and high thermal induction.

The inlet collars are included in the pack and must be assembled according to installation needs.

The plenum has other built-in installation boxes for additional ducts and VMC ducts, break as needed.

## ACCESSORIES

- False ceiling brackets, included.
- Continuity kit, can be purchased separately.



## DIMENSIONS

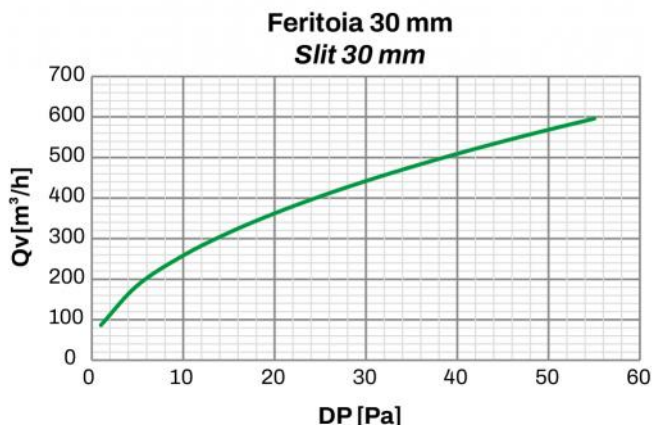
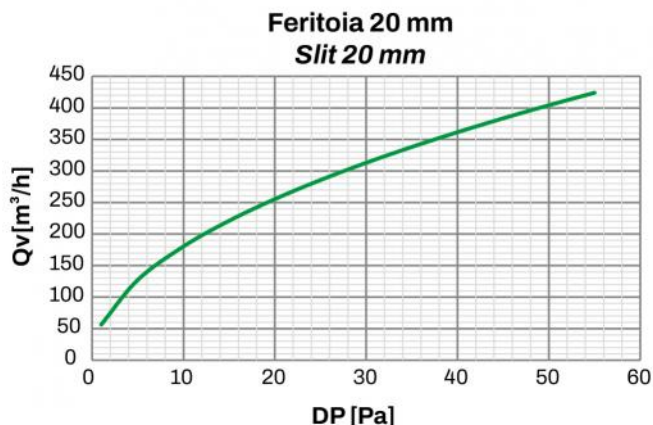
CODE	L [mm]	A [mm]	A1 [mm]	COUPLING Ø150
PWD301531	600	20	100	1
PWD301532	600	20	100	1
PWD301539	600	30	110	1
PWD301540	600	30	110	1
PWD301547	800	20	100	2
PWD301548	800	20	100	2
PWD301555	800	30	110	2
PWD301556	800	30	110	2
PWD301563	1000	20	100	2
PWD301564	1000	20	100	2
PWD301571	1000	30	110	2
PWD301572	1000	30	110	2
PWD301579	1500	20	100	3
PWD301580	1500	20	100	3
PWD301587	1500	30	110	3
PWD301588	1500	30	110	3
PWD301595	2000	20	100	4
PWD301596	2000	20	100	4
PWD301603	2000	30	110	4
PWD301604	2000	30	110	4

## INFORMATION

Measures are indicated in millimetres (mm), unless otherwise specified.

The plasterboard thickness calculated for these configurations is 12.5 mm (not included in the supply).

## LOAD CAPACITY AND PRESSURE DROP CURVES

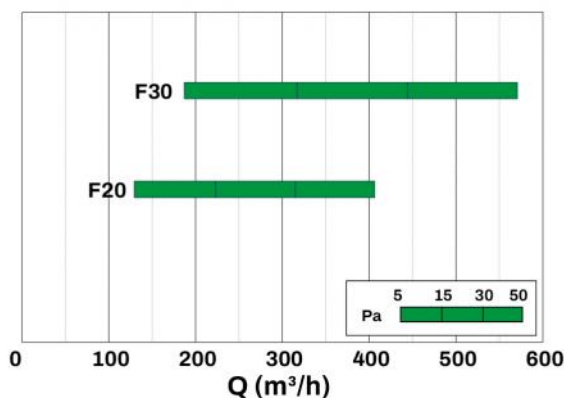


MODEL	Ak [m²]	Qv min [m³/h]	Qv max [m³/h]	Lwa min [dB(A)]	Lwa max [dB(A)]	DP min [Pa]	DP max [Pa]
SLOT 20	0.02	180	400	32	46	10	50
SLOT 30	0.03	260	570	33	47	10	50

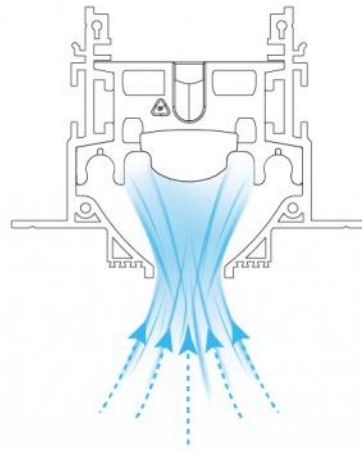
## INFORMATION

The table data refer to 1000 mm long linear retracting diffusers

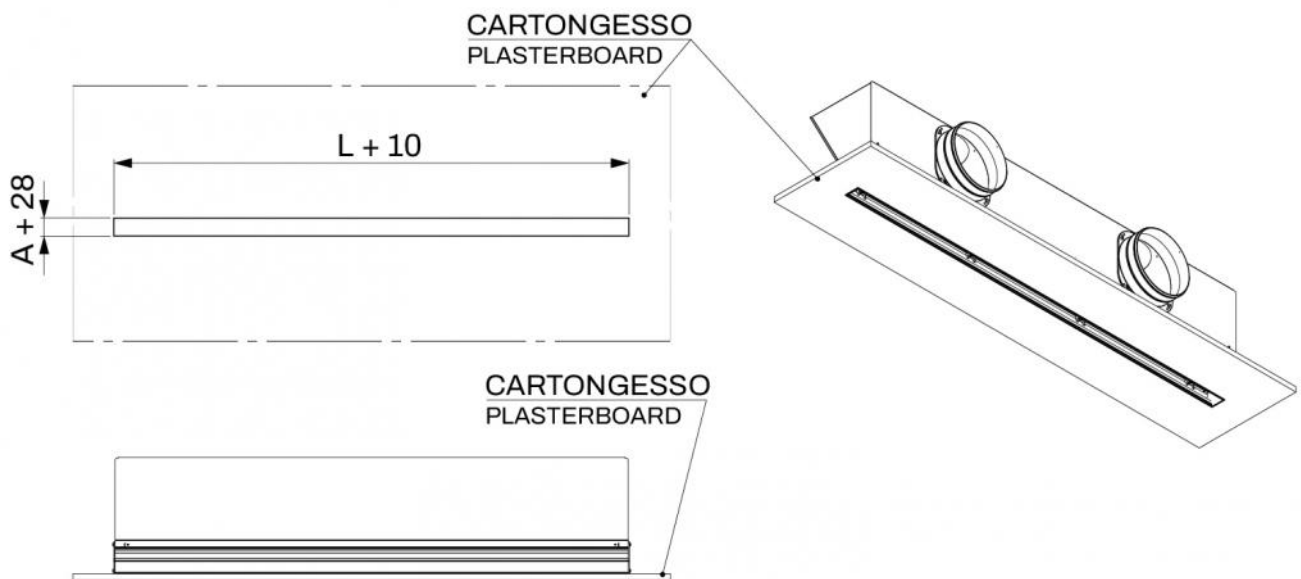
## SHORTCUT DIAGRAM



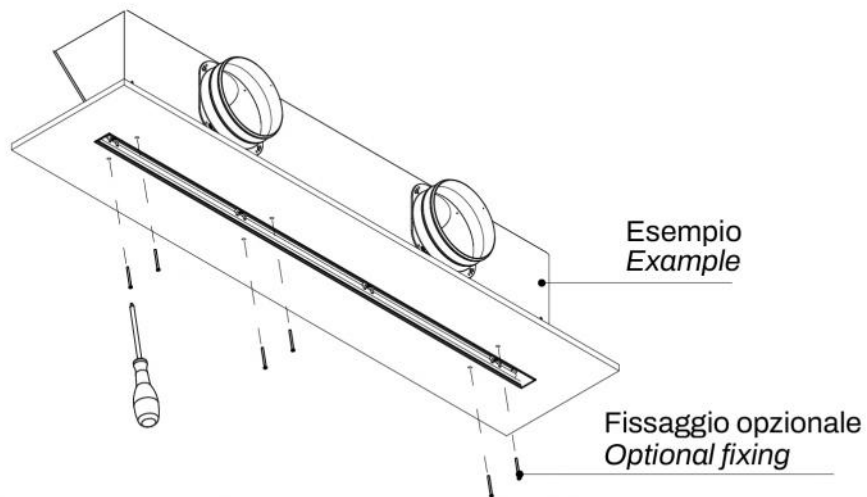
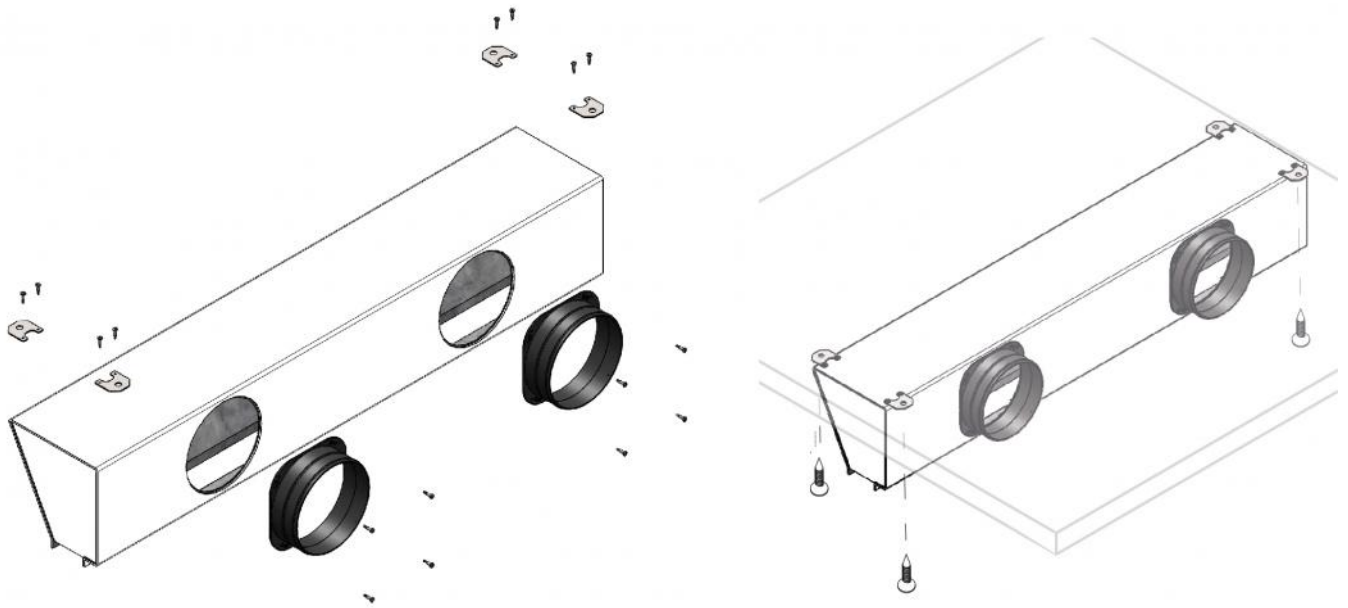
## ESEMPIO DI FUNZIONAMENTO



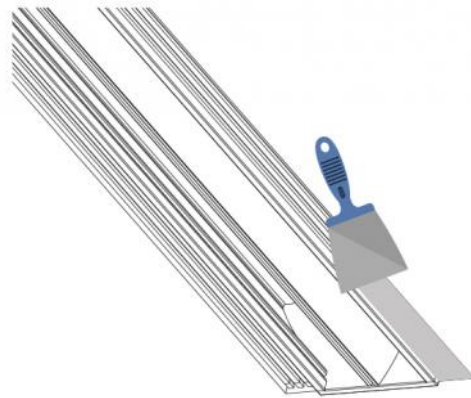
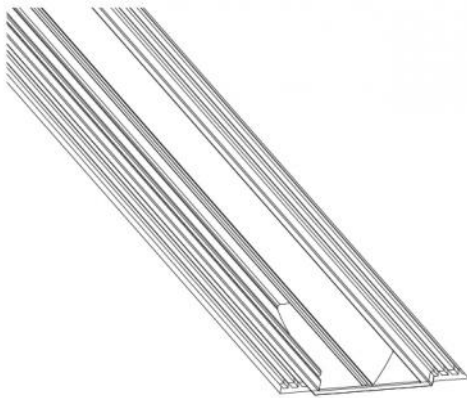
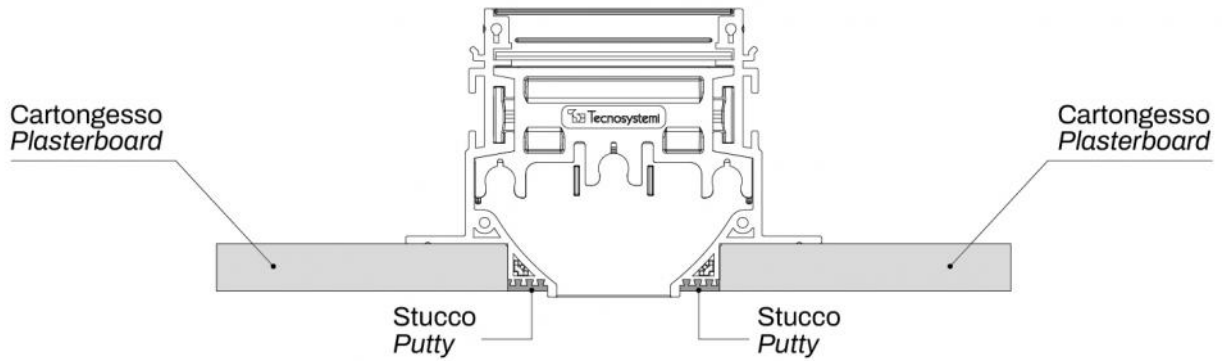
## BUILT-IN INSTALLATION BOX FOR WALLS



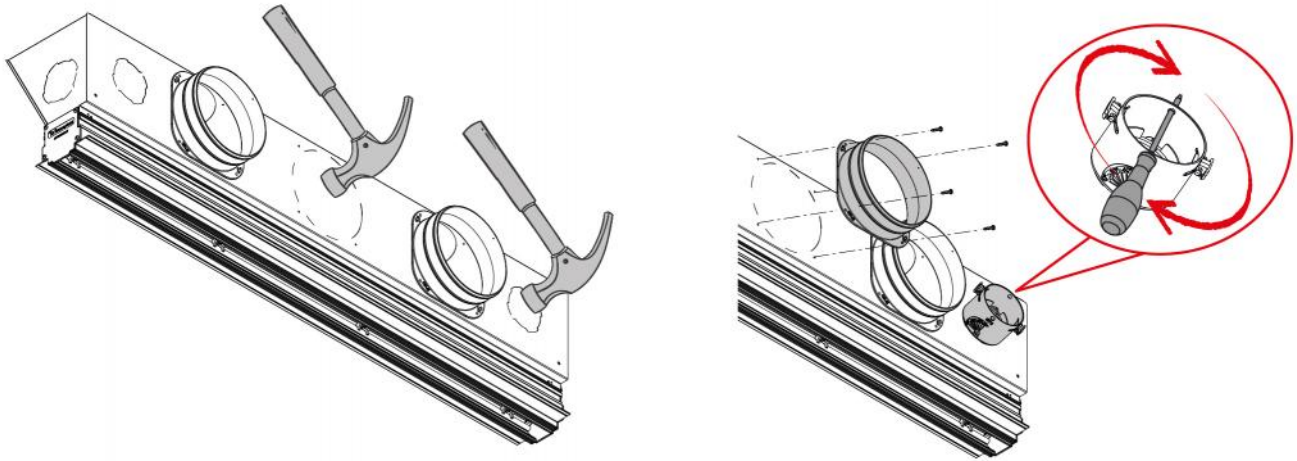
**EXAMPLE OF INSTALLATION:**



## STUCCATURA

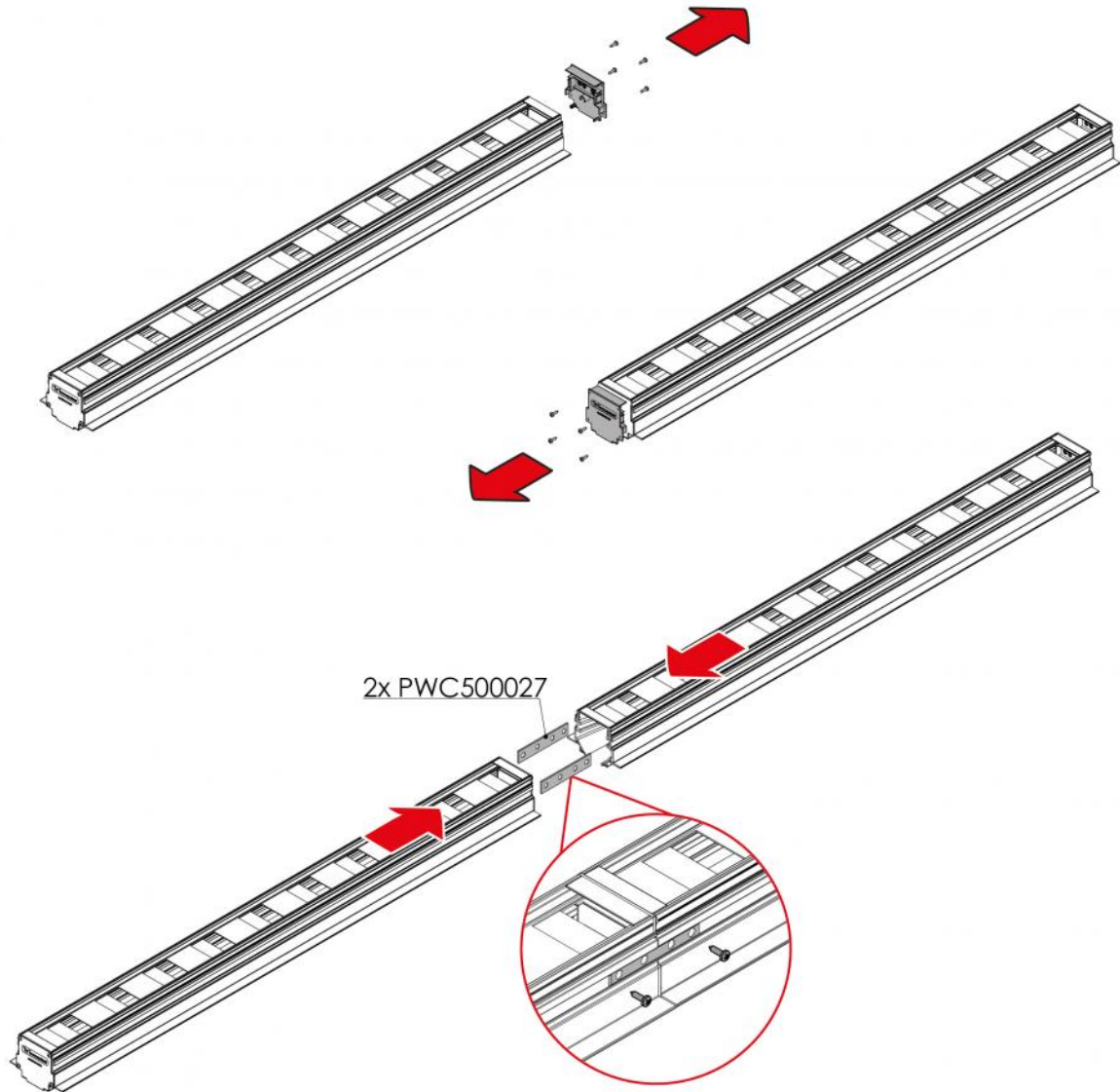


## EXAMPLE OF COLLAR AND/OR VMC BUILT-IN INSTALLATION BOX INSTALLATION





## EXAMPLE OF CONTINUITY KIT FIXING





ITEMS

CODE	DESCRIPTION
PWD301531	CONCEALED RETURN LINEAR DIFFUSOR IN ALUMINIUM WITH INSULATED PLENUM L600mm SLOT 20mm WHITE
PWD301532	CONCEALED RETURN LINEAR DIFFUSOR IN ALUMINIUM WITH INSULATED PLENUM L600mm SLOT 20mm BLACK
PWD301539	CONCEALED RETURN LINEAR DIFFUSOR IN ALUMINIUM WITH INSULATED PLENUM L600mm SLOT 30mm WHITE
PWD301540	CONCEALED RETURN LINEAR DIFFUSOR IN ALUMINIUM WITH INSULATED PLENUM L600mm SLOT 30mm BLACK
PWD301547	CONCEALED RETURN LINEAR DIFFUSOR IN ALUMINIUM WITH INSULATED PLENUM L800mm SLOT 20mm WHITE
PWD301548	CONCEALED RETURN LINEAR DIFFUSOR IN ALUMINIUM WITH INSULATED PLENUM L800mm SLOT 20mm BLACK
PWD301555	CONCEALED RETURN LINEAR DIFFUSOR IN ALUMINIUM WITH INSULATED PLENUM L800mm SLOT 30mm WHITE
PWD301556	CONCEALED RETURN LINEAR DIFFUSOR IN ALUMINIUM WITH INSULATED PLENUM L800mm SLOT 30mm BLACK
PWD301563	CONCEALED RETURN LINEAR DIFFUSOR IN ALUMINIUM WITH INSULATED PLENUM L1000mm SLOT 20mm WHITE
PWD301564	CONCEALED RETURN LINEAR DIFFUSOR IN ALUMINIUM WITH INSULATED PLENUM L1000mm SLOT 20mm BLACK
PWD301571	CONCEALED RETURN LINEAR DIFFUSOR IN ALUMINIUM WITH INSULATED PLENUM L1000mm SLOT 30mm WHITE
PWD301572	CONCEALED RETURN LINEAR DIFFUSOR IN ALUMINIUM WITH INSULATED PLENUM L1000mm SLOT 30mm BLACK
PWD301579	CONCEALED RETURN LINEAR DIFFUSOR IN ALUMINIUM WITH INSULATED PLENUM L1500mm SLOT 20mm WHITE
PWD301580	CONCEALED RETURN LINEAR DIFFUSOR IN ALUMINIUM WITH INSULATED PLENUM L1500mm SLOT 20mm BLACK
PWD301587	CONCEALED RETURN LINEAR DIFFUSOR IN ALUMINIUM WITH INSULATED PLENUM L1500mm SLOT 30mm WHITE
PWD301588	CONCEALED RETURN LINEAR DIFFUSOR IN ALUMINIUM WITH INSULATED PLENUM L1500mm SLOT 30mm BLACK
PWD301595	CONCEALED RETURN LINEAR DIFFUSOR IN ALUMINIUM WITH INSULATED PLENUM L2000mm SLOT 20mm WHITE
PWD301596	CONCEALED RETURN LINEAR DIFFUSOR IN ALUMINIUM WITH INSULATED PLENUM L2000mm SLOT 20mm BLACK
PWD301603	CONCEALED RETURN LINEAR DIFFUSOR IN ALUMINIUM WITH INSULATED PLENUM L2000mm SLOT 30mm WHITE
PWD301604	CONCEALED RETURN LINEAR DIFFUSOR IN ALUMINIUM WITH INSULATED PLENUM L2000mm SLOT 30mm BLACK

All rights relating to this publication are the exclusive property of Tecnosystemi SpA.  
 Tecnosystemi SpA reserves the right to make changes at any time and without notice, for technical or commercial needs.