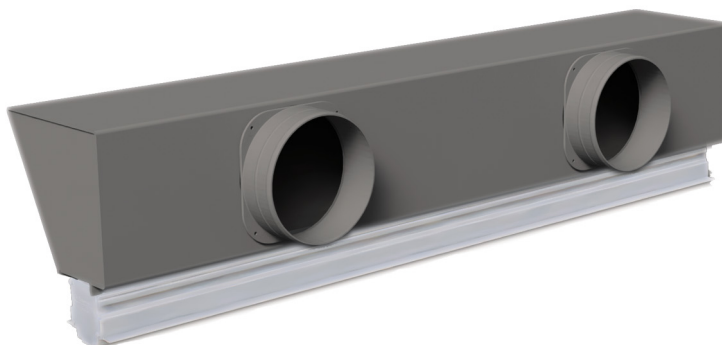


Linear retracting intake diffuser in anti-condensate PVC with insulated plenum

- cod. PWD301406 - cod. PWD301407 - cod. PWD301414
- cod. PWD301415 - cod. PWD301422 - cod. PWD301423
- cod. PWD301430 - cod. PWD301431 - cod. PWD301438
- cod. PWD301439 - cod. PWD301446 - cod. PWD301447
- cod. PWD301454 - cod. PWD301455 - cod. PWD301462
- cod. PWD301463 - cod. PWD301470 - cod. PWD301471
- cod. PWD301478 - cod. PWD301479



DESCRIPTION

Diffusore lineare a scomparsa in PVC anticondensa di ripresa e plenum coibentato. Disponibile con feritoia da 20 o 30 mm di colore bianco o nero.

Il plenum dal design unico e originale è realizzato in lamiera zincata rivestito in polietilene a celle chiuse.

Questo diffusore lineare a scomparsa unisce funzionalità e design, integrandosi perfettamente in tutti gli ambienti e consente una diffusione dell'aria uniforme ed una elevata induzione termica.

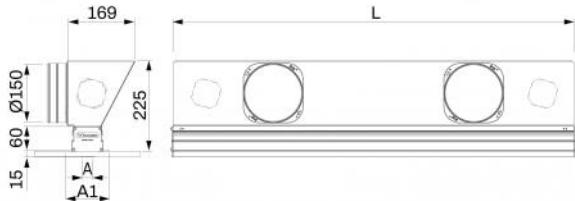
Il PVC con cui è realizzato questo innovativo diffusore, contrariamente all'alluminio, per caratteristiche fisiche non produce condensa, questo evita la formazione di funghi, muffe e batteri all'interno del diffusore e garantisce un ottimo isolamento murario.

I collarini di ingresso sono inclusi nella confezione e sono da montare in opera, in base alle esigenze di installazione.

Il plenum è dotato di ulteriori predisposizioni sia per canalizzazioni supplementari che condotti VMC, da sfondare al bisogno.

ACCESSORIES

- False ceiling brackets, included.
- Continuity kit, can be purchased separately.



DIMENSIONS

CODE	L [mm]	A [mm]	A1 [mm]	COUPLING Ø150
PWD301406	600	20	100	1
PWD301407	600	20	100	1
PWD301414	600	30	110	1
PWD301415	600	30	110	1
PWD301422	800	20	100	2
PWD301423	800	20	100	2
PWD301430	800	30	110	2
PWD301431	800	30	110	2
PWD301438	1000	20	100	2
PWD301439	1000	20	100	2
PWD301446	1000	30	110	2
PWD301447	1000	30	110	2
PWD301454	1500	20	100	3
PWD301455	1500	20	100	3
PWD301462	1500	30	110	3
PWD301463	1500	30	110	3
PWD301470	2000	20	100	4
PWD301471	2000	20	100	4
PWD301478	2000	30	110	4
PWD301479	2000	30	110	4

INFORMATION

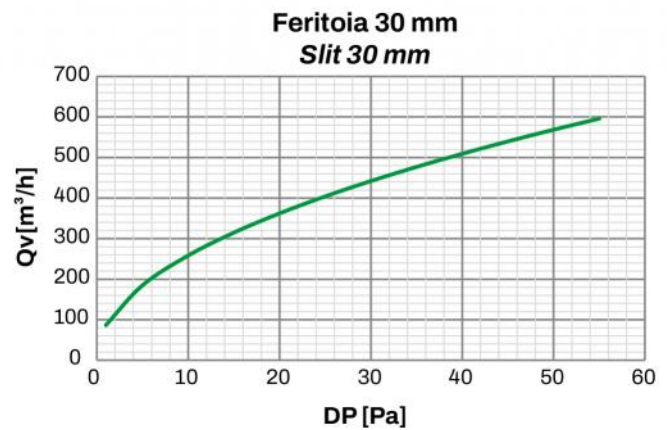
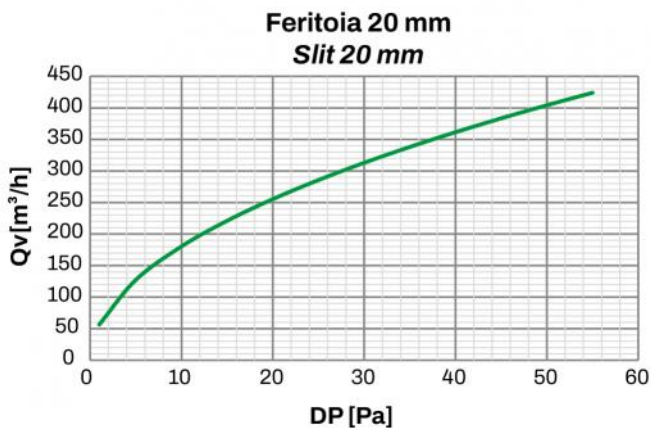
Measures are indicated in millimetres (mm), unless otherwise specified.

The plasterboard thickness calculated for these configurations is 12.5 mm (not included in the supply).

TECHNICAL DATA

DIFFUSER	TECHNICAL SPECIFICATIONS
Material:	Anti-condensate PVC
Colour:	White / Black
Flammability rating:	V0
Operating temperature	-30°C ... +60°C

LOAD CAPACITY AND PRESSURE DROP CURVES

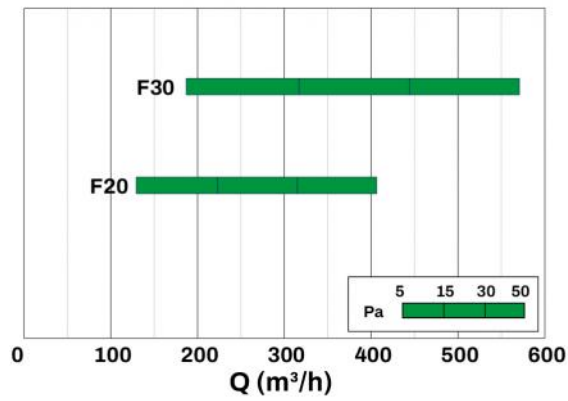


MODEL	Ak [m²]	Qv min [m³/h]	Qv max [m³/h]	Lwa min [dB(A)]	Lwa max [dB(A)]	DP min [Pa]	DP max [Pa]
SLOT 20	0.02	180	400	32	46	10	50
SLOT 30	0.03	260	570	33	47	10	50

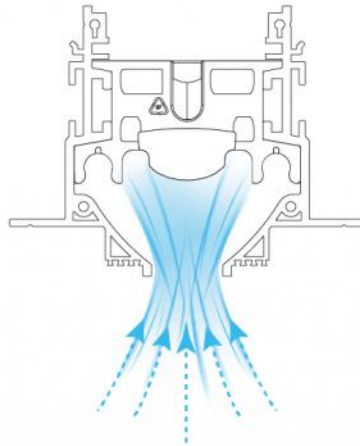
INFORMATION

The table data refer to 1000 mm long linear retracting diffusers

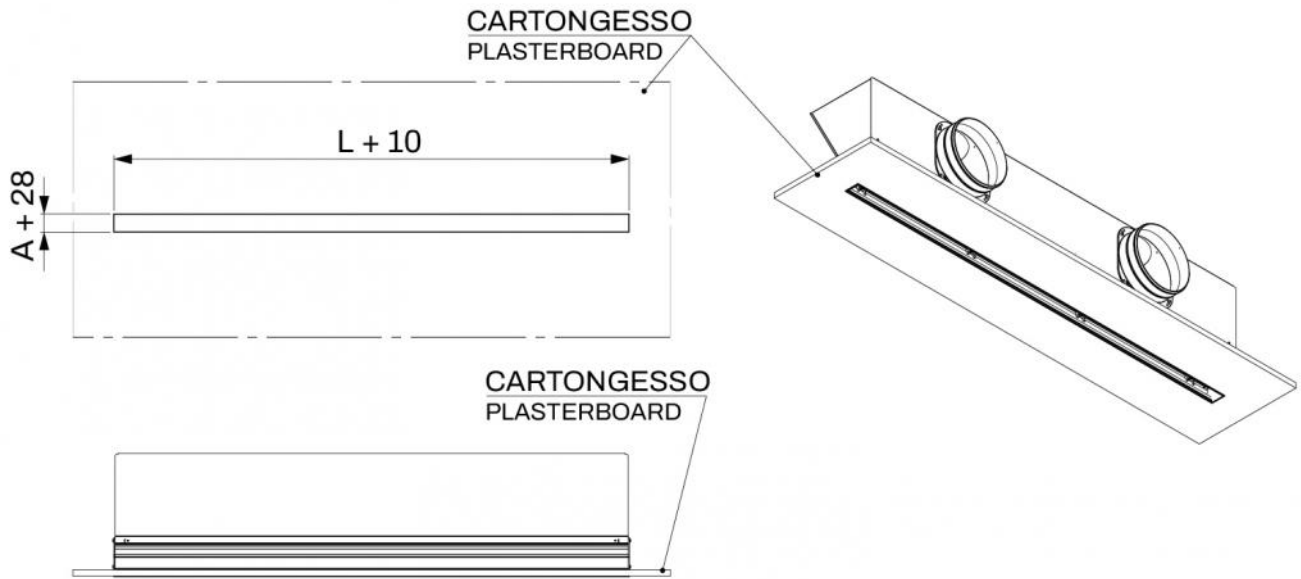
SHORTCUT DIAGRAM



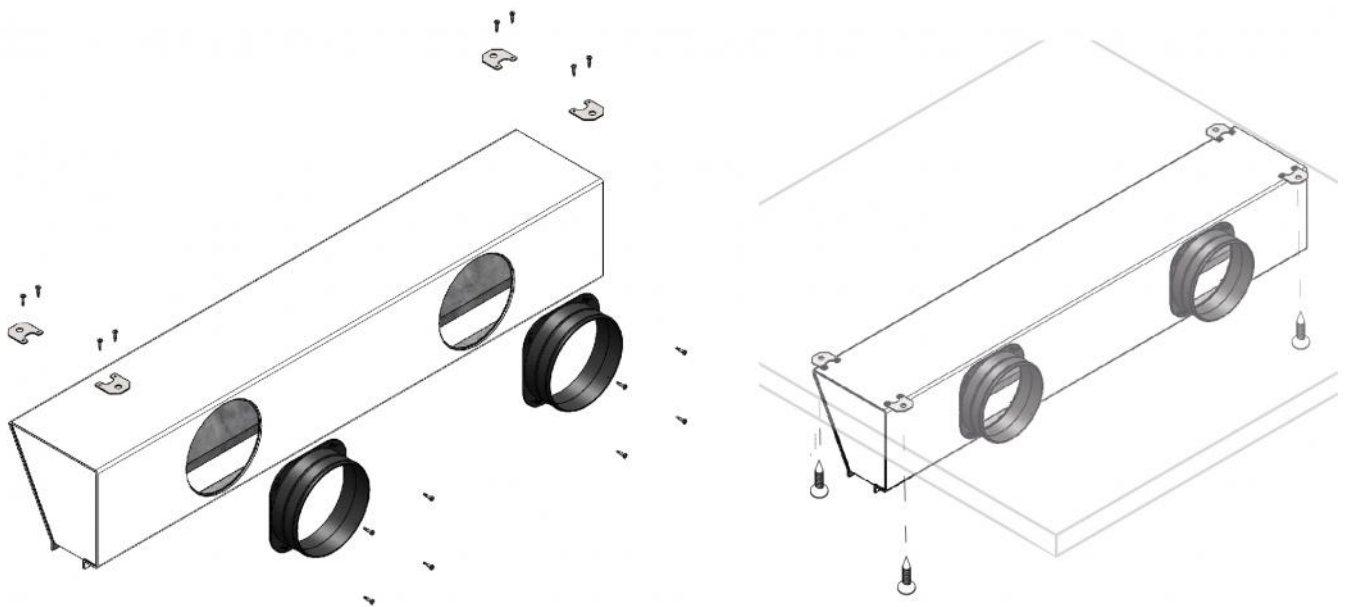
ESEMPIO DI FUNZIONAMENTO

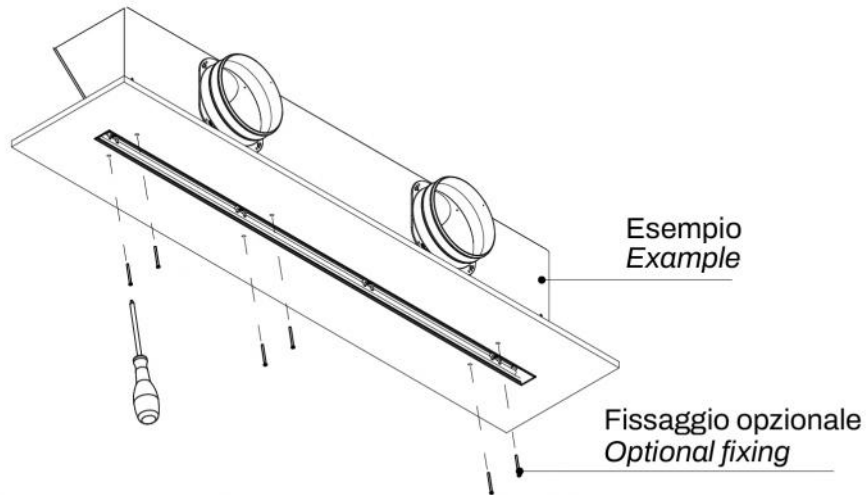


BUILT-IN INSTALLATION BOX FOR WALLS

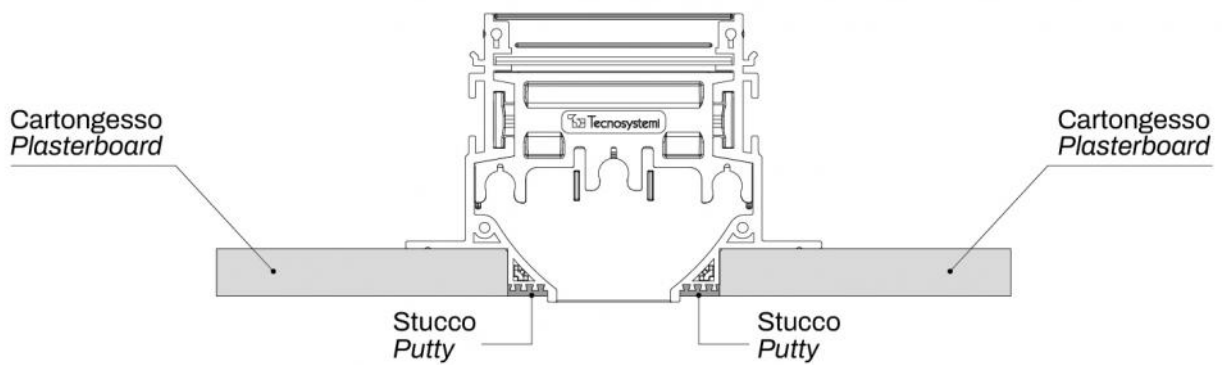


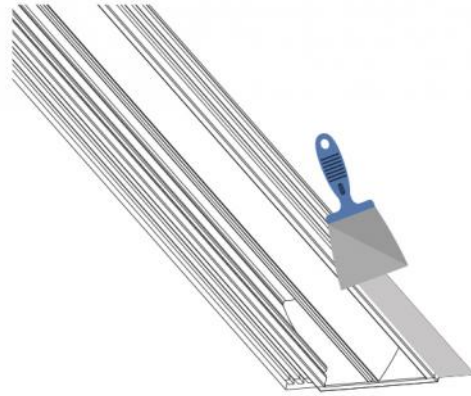
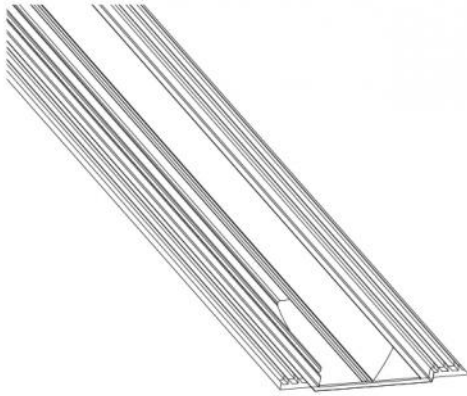
EXAMPLE OF INSTALLATION:



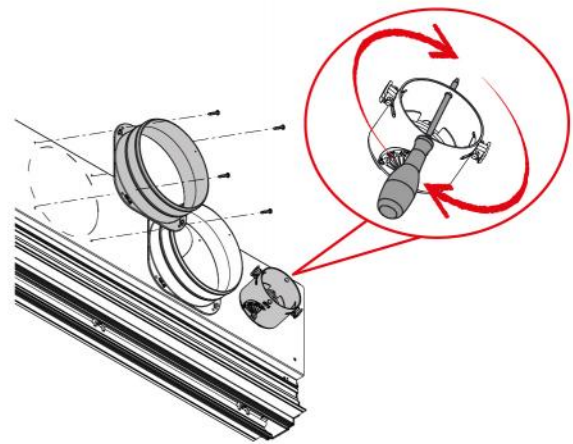
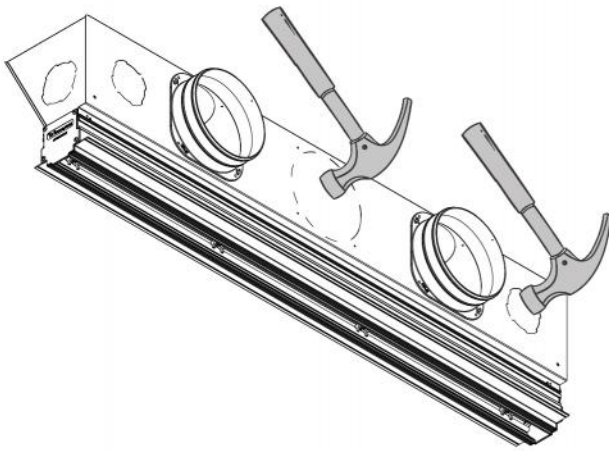


STUCCATURA

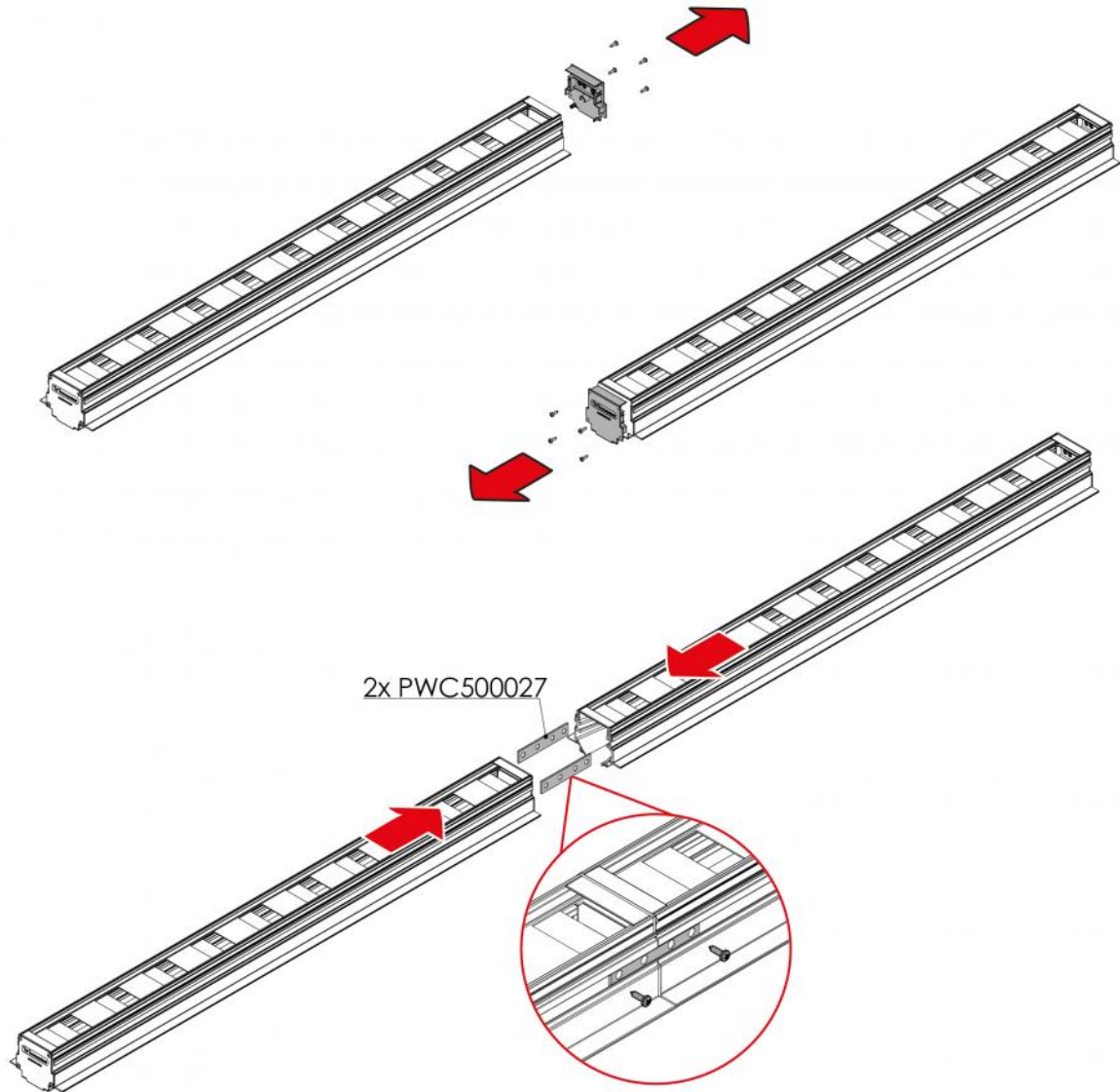




EXAMPLE OF COLLAR AND/OR VMC BUILT-IN INSTALLATION BOX INSTALLATION



EXAMPLE OF CONTINUITY KIT FIXING



ITEMS

CODE	DESCRIPTION
PWD301406	CONCEALED LINEAR DIFFUSER IN ANTI-CONDENSING PVC WITH INSULATED PLENUM L600mm SLOT 20mm WHITE
PWD301407	CONCEALED LINEAR DIFFUSER IN ANTI-CONDENSING PVC WITH INSULATED PLENUM L600mm SLOT 20mm BLACK
PWD301414	CONCEALED LINEAR DIFFUSER IN ANTI-CONDENSING PVC WITH INSULATED PLENUM L600mm SLOT 30mm WHITE
PWD301415	CONCEALED LINEAR DIFFUSER IN ANTI-CONDENSING PVC WITH INSULATED PLENUM L600mm SLOT 30mm BLACK
PWD301422	CONCEALED LINEAR DIFFUSER IN ANTI-CONDENSING PVC WITH INSULATED PLENUM L800mm SLOT 20mm WHITE
PWD301423	CONCEALED LINEAR DIFFUSER IN ANTI-CONDENSING PVC WITH INSULATED PLENUM L800mm SLOT 20mm BLACK
PWD301430	CONCEALED LINEAR DIFFUSER IN ANTI-CONDENSING PVC WITH INSULATED PLENUM L800mm SLOT 30mm WHITE
PWD301431	CONCEALED LINEAR DIFFUSER IN ANTI-CONDENSING PVC WITH INSULATED PLENUM L800mm SLOT 30mm BLACK
PWD301438	CONCEALED LINEAR DIFFUSER IN ANTI-CONDENSING PVC WITH INSULATED PLENUM L1000mm SLOT 20mm WHITE
PWD301439	CONCEALED LINEAR DIFFUSER IN ANTI-CONDENSING PVC WITH INSULATED PLENUM L1000mm SLOT 20mm BLACK
PWD301446	CONCEALED LINEAR DIFFUSER IN ANTI-CONDENSING PVC WITH INSULATED PLENUM L1000mm SLOT 30mm WHITE
PWD301447	CONCEALED LINEAR DIFFUSER IN ANTI-CONDENSING PVC WITH INSULATED PLENUM L1000mm SLOT 30mm BLACK
PWD301454	CONCEALED LINEAR DIFFUSER IN ANTI-CONDENSING PVC WITH INSULATED PLENUM L1500mm SLOT 20mm WHITE
PWD301455	CONCEALED LINEAR DIFFUSER IN ANTI-CONDENSING PVC WITH INSULATED PLENUM L1500mm SLOT 20mm BLACK
PWD301462	CONCEALED LINEAR DIFFUSER IN ANTI-CONDENSING PVC WITH INSULATED PLENUM L1500mm SLOT 30mm WHITE
PWD301463	CONCEALED LINEAR DIFFUSER IN ANTI-CONDENSING PVC WITH INSULATED PLENUM L1500mm SLOT 30mm BLACK
PWD301470	CONCEALED LINEAR DIFFUSER IN ANTI-CONDENSING PVC WITH INSULATED PLENUM L2000mm SLOT 20mm WHITE
PWD301471	CONCEALED LINEAR DIFFUSER IN ANTI-CONDENSING PVC WITH INSULATED PLENUM L2000mm SLOT 20mm BLACK
PWD301478	CONCEALED LINEAR DIFFUSER IN ANTI-CONDENSING PVC WITH INSULATED PLENUM L2000mm SLOT 30mm WHITE
PWD301479	CONCEALED LINEAR DIFFUSER IN ANTI-CONDENSING PVC WITH INSULATED PLENUM L2000mm SLOT 30mm BLACK

All rights relating to this publication are the exclusive property of Tecnosystemi SpA.
Tecnosystemi SpA reserves the right to make changes at any time and without notice, for technical or commercial needs.