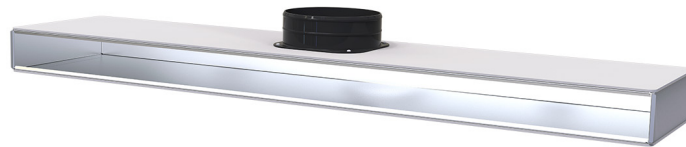


Lowered insulated plenum with upper coupler for linear diffuser 1 slot

- cod. PWD301386 - cod. PWD301387 - cod. PWD301388
- cod. PWD301389 - cod. PWD301390

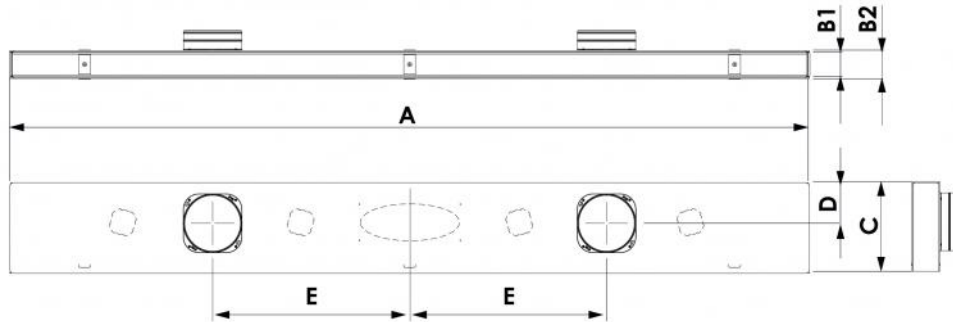


DESCRIPTION

The lowered insulated plenums for linear diffusers are made of galvanised metal sheet and are coated externally with 3 mm thick closed-cell polyethylene.

The collar or collars (depending on the model purchased) for the upper couplers are supplied to be assembled, as are the bracket kit and screws for fixing the linear diffuser.

DIMENSIONS

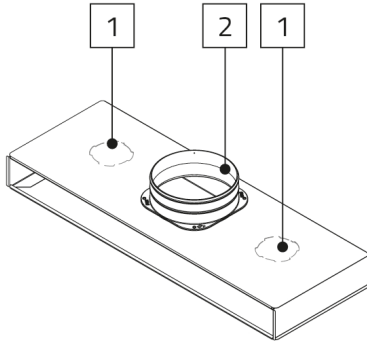


CODE	A	B1	B2	C	D	E	UPPER COLLAR SUPPLIED	VMC BUILT-IN INSTALLATION BOXES	UPPER COLLAR OPTIONAL
PWD301386	630	65	71	230	103	/	1x E5 (Ø150)	2x Ø75 - Ø90	/
PWD301387	830	65	71	230	103	/	1x E5 (Ø150)	2x Ø75 - Ø90	/
PWD301388	1030	65	71	230	103	/	1x E5 (Ø150)	2x Ø75 - Ø90	/
PWD301389	1530	65	71	230	103	500	2x E5 (Ø150)	2x Ø75 - Ø90	1x D4 (Ø150/200)
PWD301390	2030	65	71	230	103	600	2x E5 (Ø150)	4x Ø75 - Ø90	1x D4 (Ø150/200)

REFERENCES

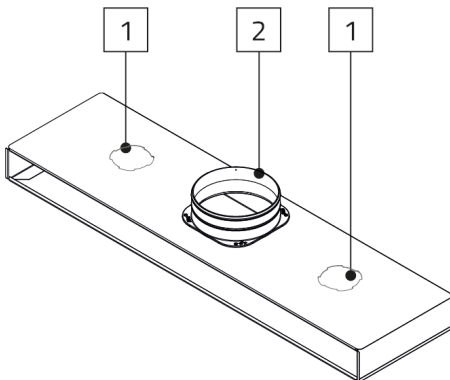
PWD301386

- [1] VMC BUILT-IN INSTALLATION BOX (optional)
- [2] UPPER COLLAR MODEL E5 (supplied)



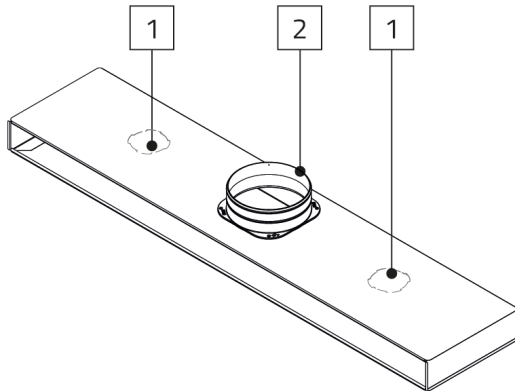
PWD301387

- [1] VMC BUILT-IN INSTALLATION BOX (optional)
- [2] UPPER COLLAR MODEL E5 (supplied)



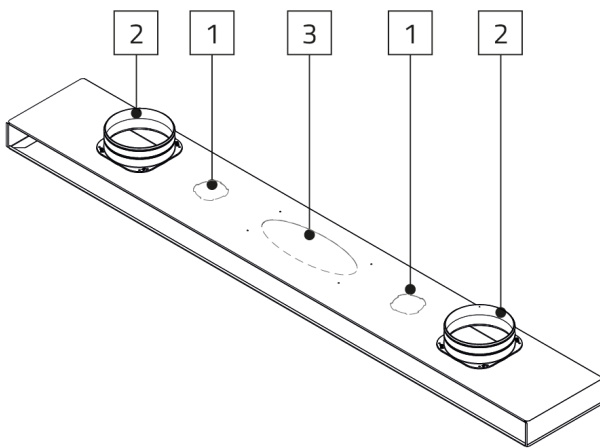
PWD301388

- [1] VMC BUILT-IN INSTALLATION BOX (optional)
- [2] UPPER COLLAR MODEL E5 (supplied)



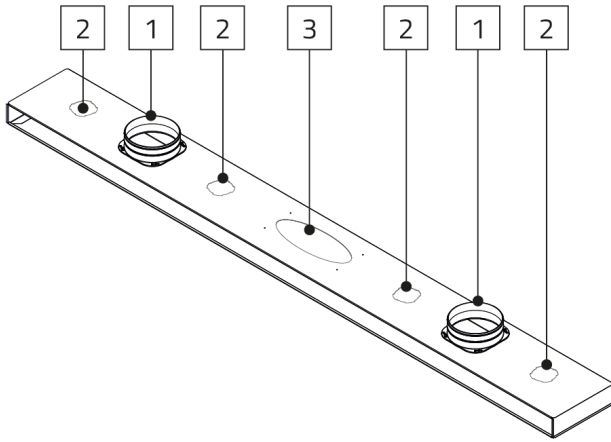
PWD301389

- [1] VMC BUILT-IN INSTALLATION BOX (optional)
- [2] UPPER COLLAR MODEL E5 (supplied)
- [3] UPPER COLLAR MODEL D4 (optional)

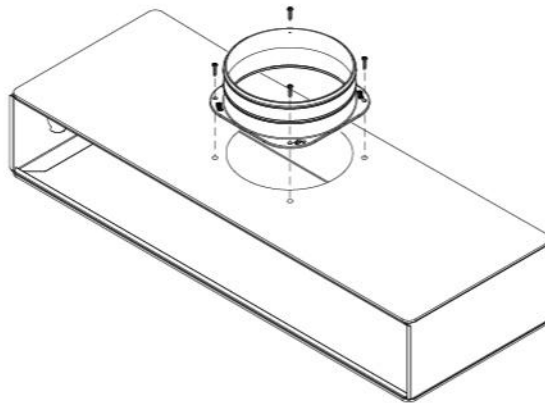


PWD301390

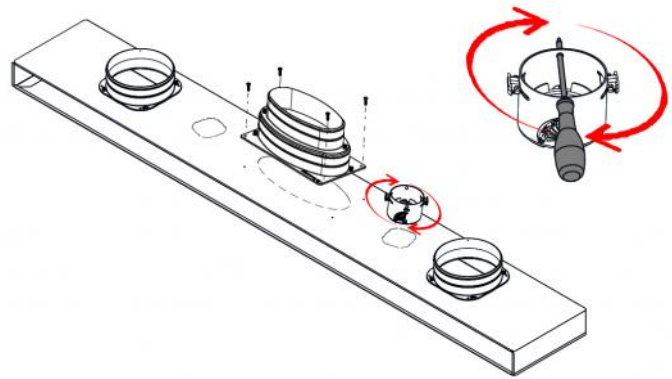
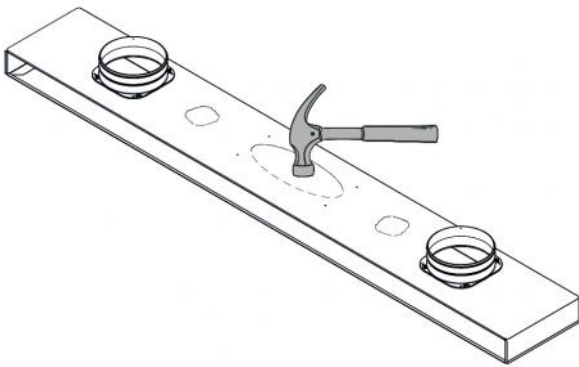
- [1] VMC BUILT-IN INSTALLATION BOX (optional)
- [2] UPPER COLLAR MODEL E5 (supplied)
- [3] UPPER COLLAR MODEL D4 (optional)



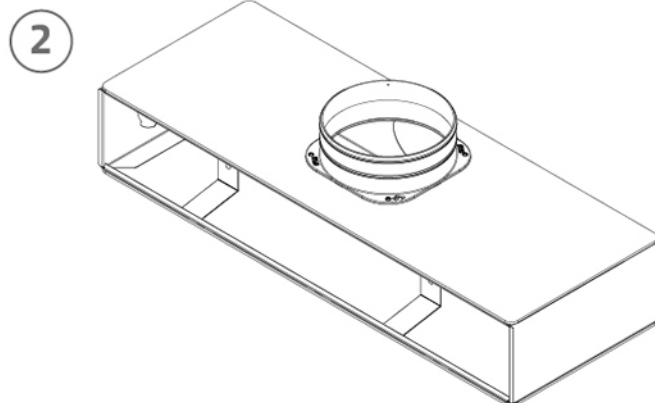
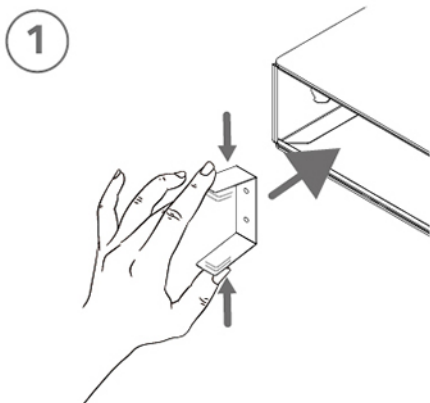
COLLAR ASSEMBLY



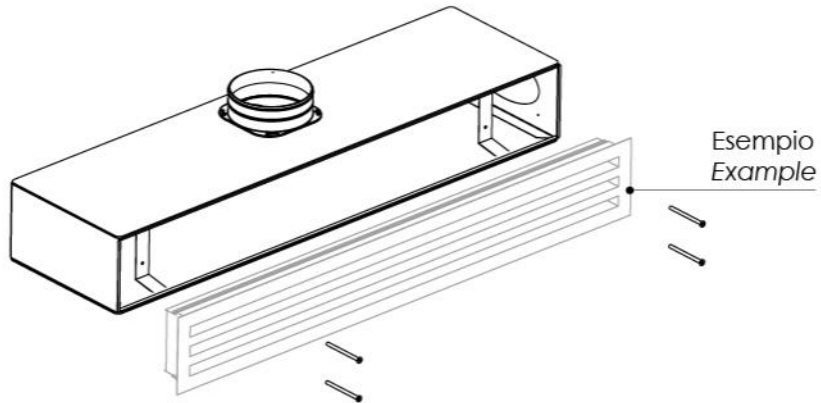
AVAILABLE BUILT-IN INSTALLATION BOXES



EXAMPLE OF DIFFUSER INSTALLATION



3



ITEMS

CODE	DESCRIPTION
PWD301386	INSULATED COMPACT PLENUM WITH UPPER INTAKE FOR LINEAR DIFFUSER 1 SLOT L.600
PWD301387	INSULATED COMPACT PLENUM WITH UPPER INTAKE FOR LINEAR DIFFUSER 1 SLOT L.800
PWD301388	INSULATED COMPACT PLENUM WITH UPPER INTAKE FOR LINEAR DIFFUSER 1 SLOT L.1000
PWD301389	INSULATED COMPACT PLENUM WITH UPPER INTAKE FOR LINEAR DIFFUSER 1 SLOT L.1500
PWD301390	INSULATED COMPACT PLENUM WITH UPPER INTAKE FOR LINEAR DIFFUSER 1 SLOT L.2000

All rights relating to this publication are the exclusive property of Tecnosystemi SpA.
 Tecnosystemi SpA reserves the right to make changes at any time and without notice, for technical or commercial needs.