

Lowered insulated plenum with upper coupler for linear diffuser 2 slots

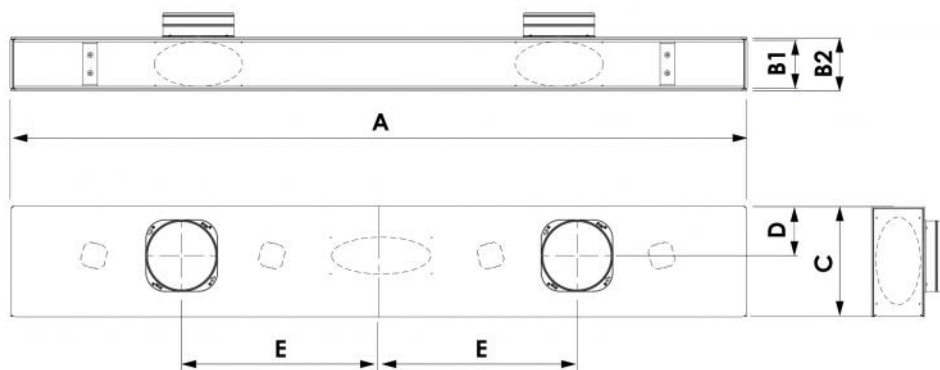
- cod. PWD301391 - cod. PWD301392 - cod. PWD301393
- cod. PWD301394 - cod. PWD301395

DESCRIPTION

The lowered insulated plenums for linear diffusers are made of galvanised metal sheet and are coated externally with 3 mm thick closed-cell polyethylene.

The collar or collars (depending on the model purchased) for the upper, rear and side couplers are supplied to be assembled, as are the bracket kit and screws for fixing the linear diffuser.

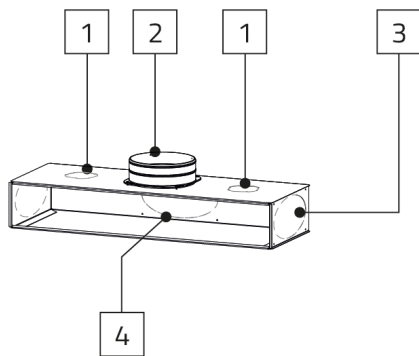
DIMENSIONS



CODE	A	B1	B2	C	D	E	UPPER COLLAR SUPPLIED	VMC BUILT-IN INSTALLATION BOXES	UPPER COLLAR OPTIONAL	REAR COLLAR OPTIONAL	SIDE COLLAR OPTIONAL
PWD301391	630	105	111	230	103	/	1x E5 (Ø150)	2x Ø75 - Ø90	/	1x C3 (Ø125/150)	2x C3 (Ø125/150)
PWD301392	830	105	111	230	103	/	1x E5 (Ø150)	2x Ø75 - Ø90	/	1x C3 (Ø125/150)	2x C3 (Ø125/150)
PWD301393	1030	105	111	230	103	385	2x E5 (Ø150)	2x Ø75 - Ø90	1x D4 (Ø150/200)	2x C3 (Ø125/150)	
PWD301394	1530	105	111	230	103	500	2x E5 (Ø150)	2x Ø75 - Ø90	1x D4 (Ø150/200)	2x C3 (Ø125/150)	
PWD301395	2030	105	111	230	103	600	2x E5 (Ø150)	4x Ø75 - Ø90	1x D4 (Ø150/200)	2x C3 (Ø125/150)	

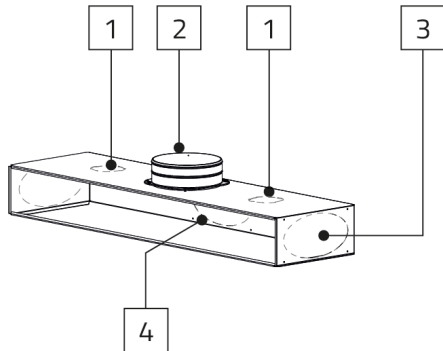
REFERENCES

PWD301391



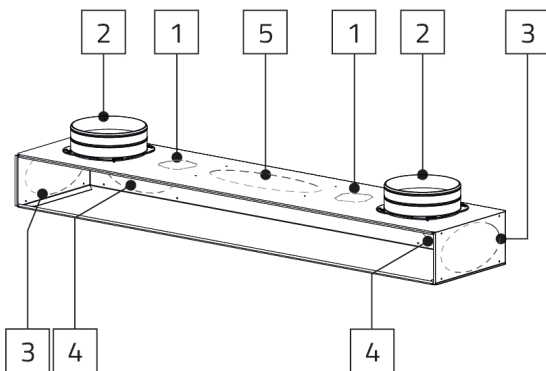
- [1] VMC BUILT-IN INSTALLATION BOX (optional)
- [2] UPPER COLLAR MODEL E5 (supplied)
- [3] SIDE COLLAR MODEL C3 (optional)
- [4] REAR COLLAR MODEL C3 (optional)

PWD301392



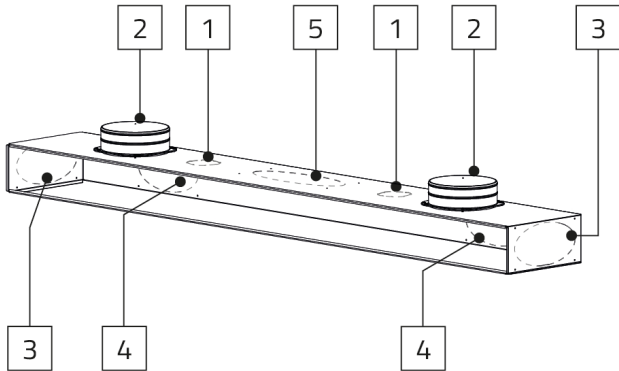
- [1] VMC BUILT-IN INSTALLATION BOX (optional)
- [2] UPPER COLLAR MODEL E5 (supplied)
- [3] REAR COLLAR MODEL C3 (optional)
- [4] SIDE COLLAR MODEL C3 (optional)

PWD301393



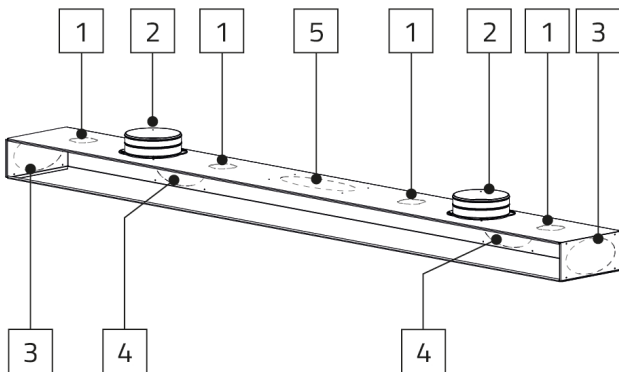
- [1] VMC BUILT-IN INSTALLATION BOX (optional)
- [2] UPPER COLLAR MODEL E5 (supplied)
- [3] SIDE COLLAR MODEL C3 (optional)
- [4] REAR COLLAR MODEL C3 (optional)
- [5] UPPER COLLAR MODEL D4 (optional)

PWD301394



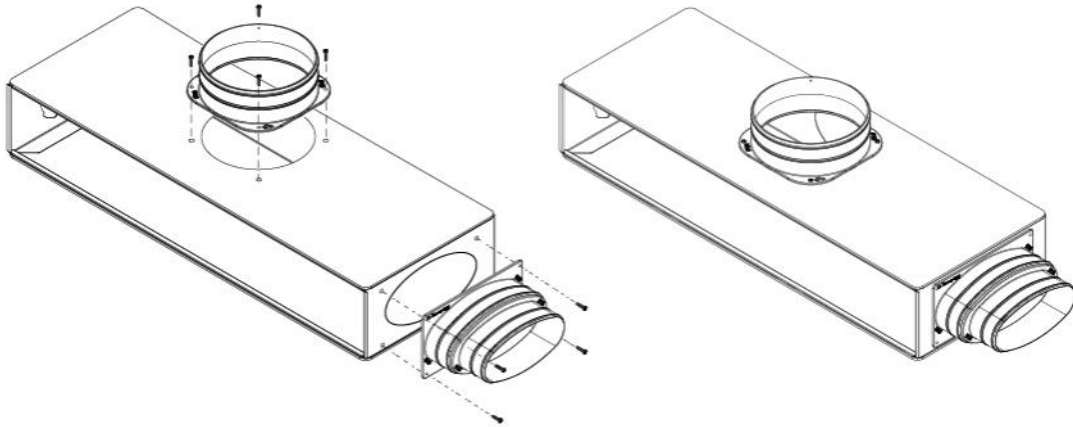
- [1] VMC BUILT-IN INSTALLATION BOX (optional)
- [2] UPPER COLLAR MODEL E5 (supplied)
- [3] SIDE COLLAR MODEL C3 (optional)
- [4] REAR COLLAR MODEL C3 (optional)
- [5] UPPER COLLAR MODEL D4 (optional)

PWD301395

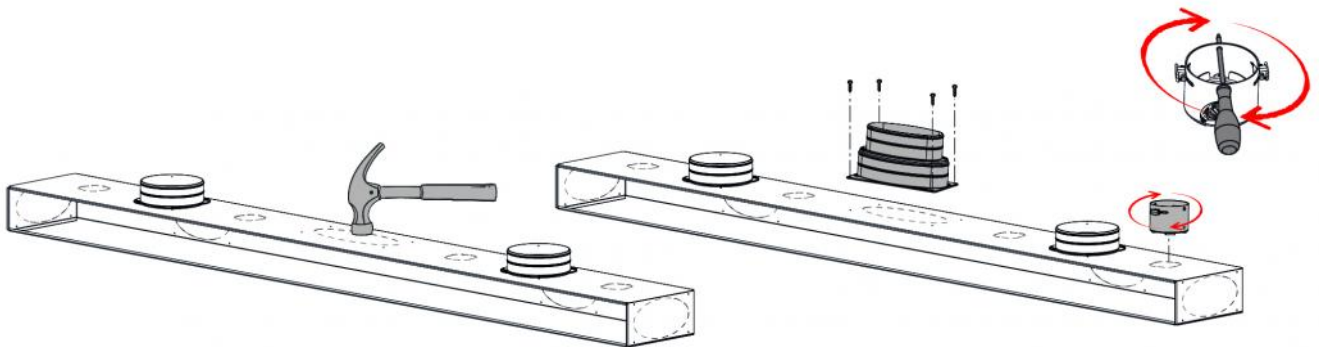


- [1] VMC BUILT-IN INSTALLATION BOX (optional)
- [2] UPPER COLLAR MODEL E5 (supplied)
- [3] SIDE COLLAR MODEL C3 (optional)
- [4] REAR COLLAR MODEL C3 (optional)
- [5] UPPER COLLAR MODEL D4 (optional)

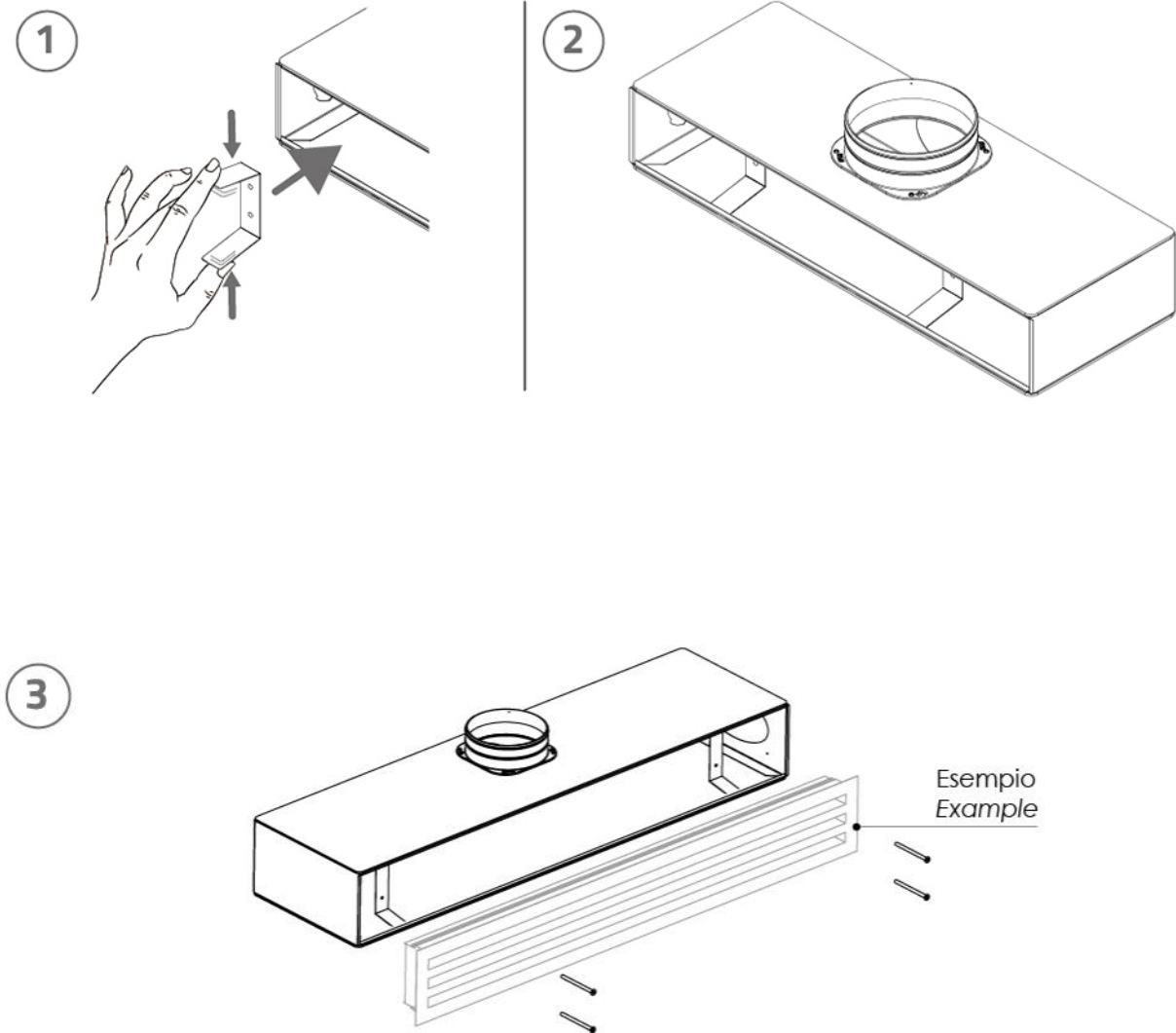
COLLAR ASSEMBLY



AVAILABLE BUILT-IN INSTALLATION BOXES



EXAMPLE OF DIFFUSER INSTALLATION



ITEMS

CODE	DESCRIPTION
PWD301391	INSULATED COMPACT PLENUM WITH UPPER CONNECTION PREARRANGED FOR REAR INLET FOR LINEAR DIFFUSER 2 SLOTS L.600
PWD301392	INSULATED COMPACT PLENUM WITH UPPER CONNECTION PREARRANGED FOR REAR INLET FOR LINEAR DIFFUSER 2 SLOTS L.800
PWD301393	INSULATED COMPACT PLENUM WITH UPPER CONNECTION PREARRANGED FOR REAR INLET FOR LINEAR DIFFUSER 2 SLOTS L.1000
PWD301394	INSULATED COMPACT PLENUM WITH UPPER CONNECTION PREARRANGED FOR REAR INLET FOR LINEAR DIFFUSER 2 SLOTS L.1500
PWD301395	INSULATED COMPACT PLENUM WITH UPPER CONNECTION PREARRANGED FOR REAR INLET FOR LINEAR DIFFUSER 2 SLOTS L.2000

All rights relating to this publication are the exclusive property of Tecnosystemi SpA.
 Tecnosystemi SpA reserves the right to make changes at any time and without notice, for technical or commercial needs.