

# Lowered insulated plenum with upper coupler for linear diffuser 4 slots

- cod. PWD301401 - cod. PWD301402 - cod. PWD301403  
- cod. PWD301404 - cod. PWD301405



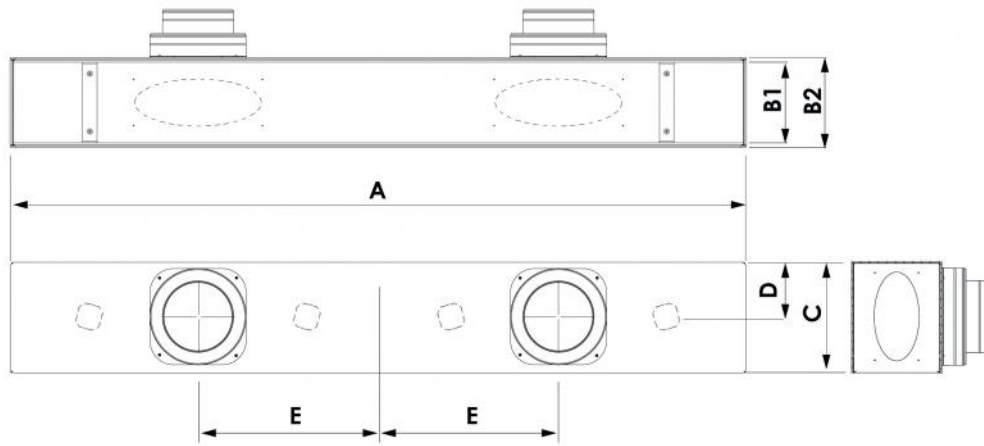
## DESCRIPTION

The lowered insulated plenums for linear diffusers are made of galvanised metal sheet and are coated externally with 3 mm thick closed-cell polyethylene.

The collar or collars (depending on the model purchased) for the upper, rear and side couplers are supplied to be assembled, as are the bracket kit and screws for fixing the linear diffuser.

Plenum prearranged for CMV hose connector.

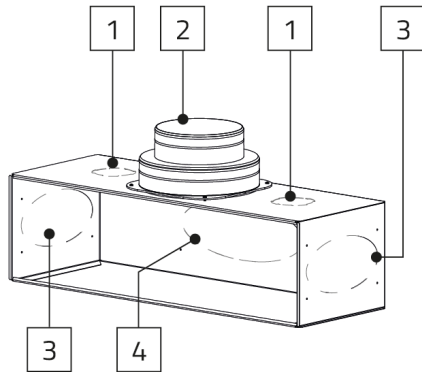
DIMENSIONS



CODE	A	B1	B2	C	D	E	UPPER COLLAR SUPPLIED	VMC BUILT-IN INSTALLATION BOXES	REAR COLLAR OPTIONAL	SIDE COLLAR OPTIONAL
PWD301401	630	180	186	230	113	/	1x B2 (Ø150/200)	2x Ø75 - Ø90	1x D4 (Ø150/200)	2x C3 (Ø125/150)
PWD301402	830	180	186	230	113	/	1x B2 (Ø150/200)	2x Ø75 - Ø90	1x D4 (Ø150/200)	2x C3 (Ø125/150)
PWD301403	1030	180	186	230	113	240	2x B2 (Ø150/200)	3x Ø75 - Ø90	2x D4 (Ø150/200)	2x C3 (Ø125/150)
PWD301404	1530	180	186	230	113	375	2x B2 (Ø150/200)	3x Ø75 - Ø90	2x D4 (Ø150/200)	2x C3 (Ø125/150)
PWD301405	2030	180	186	230	113	505	2x B2 (Ø150/200)	4x Ø75 - Ø90	2x D4 (Ø150/200)	2x C3 (Ø125/150)

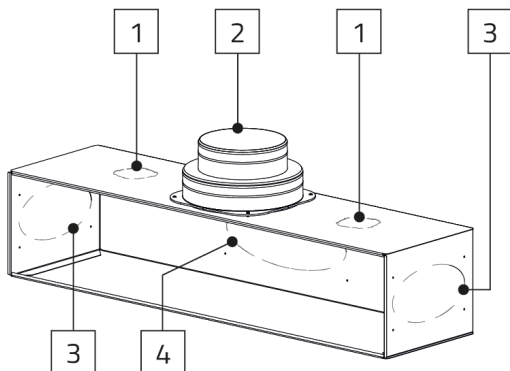
## REFERENCES

### PWD301401



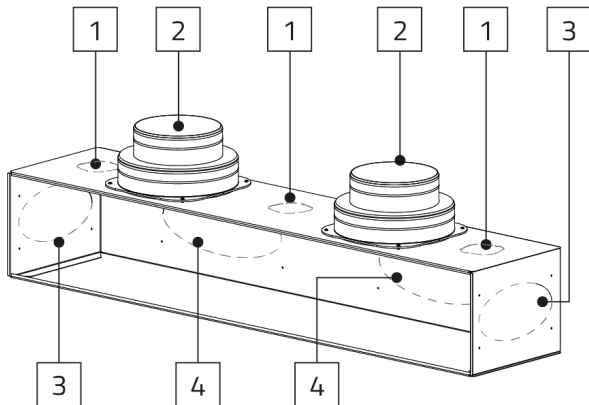
- [1] VMC BUILT-IN INSTALLATION BOX (optional)
- [2] UPPER COLLAR MODEL B2 (supplied)
- [3] SIDE COLLAR MODEL C3 (optional)
- [4] REAR COLLAR MODEL D4 (optional)

### PWD301402



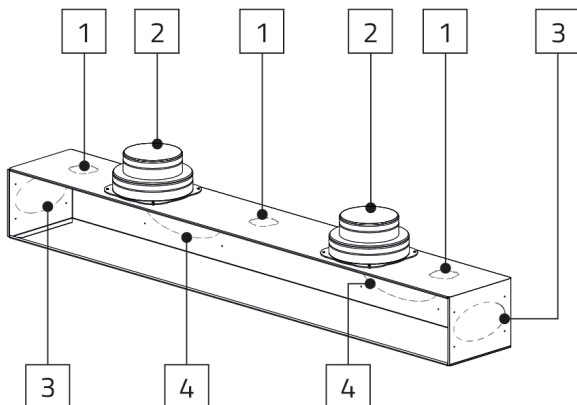
- [1] VMC BUILT-IN INSTALLATION BOX (optional)
- [2] UPPER COLLAR MODEL B2 (supplied)
- [3] SIDE COLLAR MODEL C3 (optional)
- [4] REAR COLLAR MODEL D4 (optional)

**PWD301403**



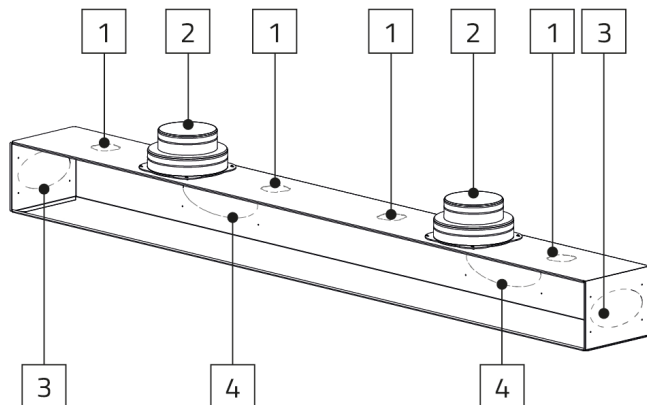
- [1] VMC BUILT-IN INSTALLATION BOX (optional)
- [2] UPPER COLLAR MODEL B2 (supplied)
- [3] REAR COLLAR MODEL D4 (optional)
- [4] SIDE COLLAR MODEL C3 (optional)

**PWD301404**



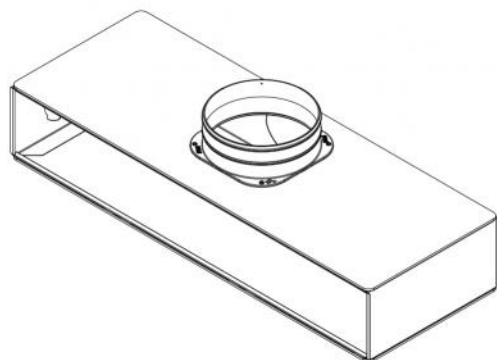
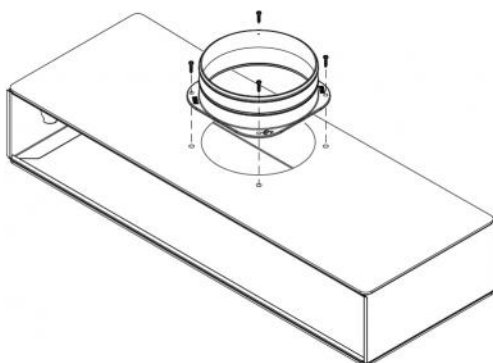
- [1] VMC BUILT-IN INSTALLATION BOX (optional)
- [2] UPPER COLLAR MODEL B2 (supplied)
- [3] SIDE COLLAR MODEL C3 (optional)
- [4] REAR COLLAR MODEL D4 (optional)

**PWD301405**

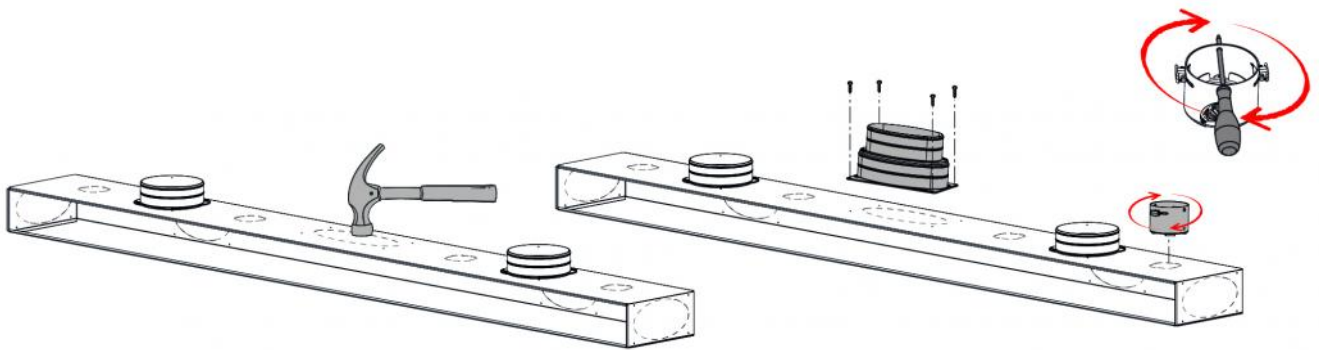


- [1] VMC BUILT-IN INSTALLATION BOX (optional)
- [2] UPPER COLLAR MODEL B2 (supplied)
- [3] SIDE COLLAR MODEL C3 (optional)
- [4] REAR COLLAR MODEL D4 (optional)

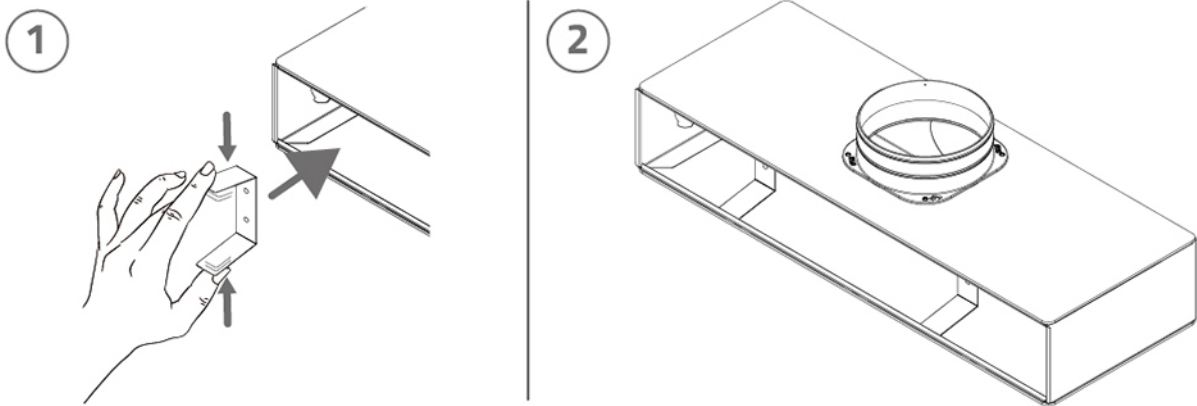
**COLLAR ASSEMBLY**



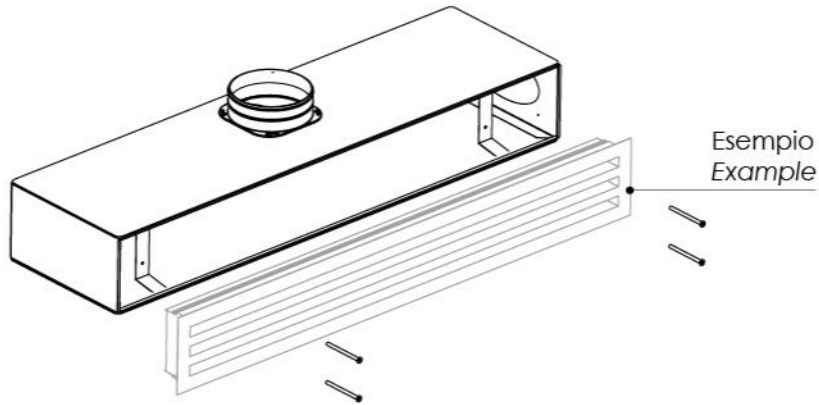
## AVAILABLE BUILT-IN INSTALLATION BOXES



## EXAMPLE OF DIFFUSER INSTALLATION



3



## ITEMS

CODE	DESCRIPTION
PWD301401	INSULATED COMPACT PLENUM WITH UPPER CONNECTION PREARRANGED FOR REAR INLET FOR LINEAR DIFFUSER 4 SLOTS L.600
PWD301402	INSULATED COMPACT PLENUM WITH UPPER CONNECTION PREARRANGED FOR REAR INLET FOR LINEAR DIFFUSER 4 SLOTS L.800
PWD301403	INSULATED COMPACT PLENUM WITH UPPER CONNECTION PREARRANGED FOR REAR INLET FOR LINEAR DIFFUSER 4 SLOTS L.1000
PWD301404	INSULATED COMPACT PLENUM WITH UPPER CONNECTION PREARRANGED FOR REAR INLET FOR LINEAR DIFFUSER 4 SLOTS L.1500
PWD301405	INSULATED COMPACT PLENUM WITH UPPER CONNECTION PREARRANGED FOR REAR INLET FOR LINEAR DIFFUSER 4 SLOTS L.2000

All rights relating to this publication are the exclusive property of Tecnosystemi SpA.  
 Tecnosystemi SpA reserves the right to make changes at any time and without notice, for technical or commercial needs.