

# OPTIMA CLEAN FULL COVER

## OPT FC CLEAN DUCT

- cod. SCD100542 - cod. SCD100543 - cod. SCD100544  
- cod. SCD100545



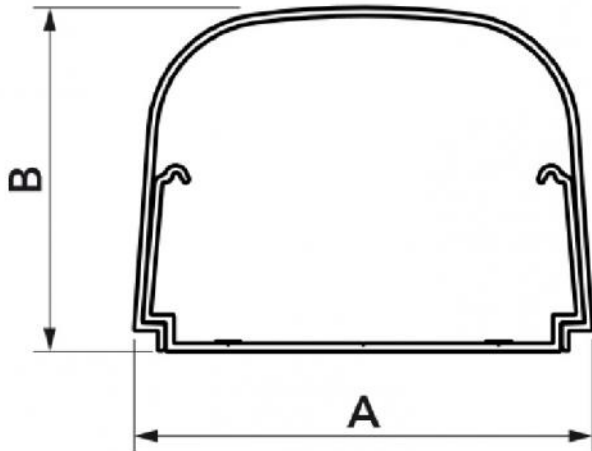
## TECHNICAL SPECIFICATIONS:

- Rigid shockproof PVC, anti-UVA, white
- Sharp-edged bottom in recycled material
- Pre-punched slots for wall mounting
- Prepared for insertion of the mini pumps Easy Flow, Easy One, Aqua Split (only model T 75-OPT-FC)
- Wall flush closure
- Rounded cover
- Bar length 2 m
- Paintable
- Operating temperature -20°C / +60°C

## MODELS AVAILABLE:



WHITE



## DIMENSIONS

CODE	MODEL	A [mm]	B [mm]
SCD100542	T 62 - OPT-FC CLEAN	62	46
SCD100543	T 75 - OPT-FC CLEAN	74	56
SCD100544	T 102 - OPT-FC CLEAN	100	66
SCD100545	T 135 - OPT-FC CLEAN	135	82

## ITEMS

CODE	DESCRIPTION
SCD100542	
SCD100543	
SCD100544	
SCD100545	

All rights relating to this publication are the exclusive property of Tecnosystemi SpA.  
 Tecnosystemi SpA reserves the right to make changes at any time and without notice, for technical or commercial needs.

