

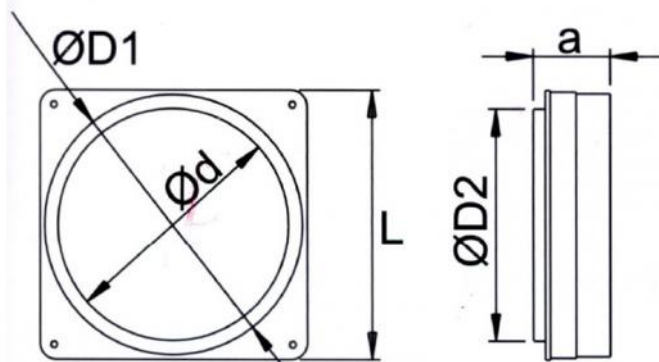
# Collar for plenum with built-in damper

- cod. 11156001 - cod. 11156002 - cod. 11156003  
- cod. 11156004 - cod. 11156005 - cod. 11156006



## TECHNICAL SPECIFICATIONS:

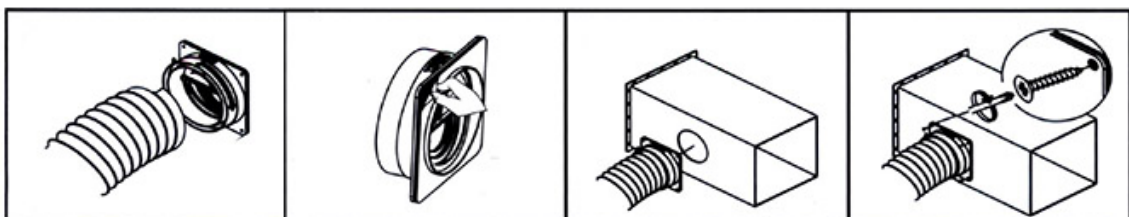
- Made of PP
- Available from Ø 102 mm to Ø 254 mm
- Operating temperature -30°C to +150°C
- Reaction to fire C-S1,D1



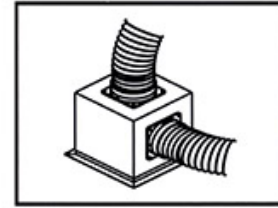
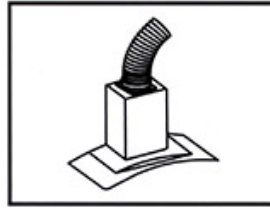
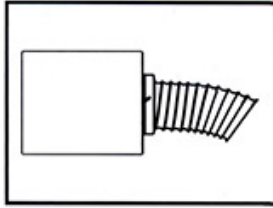
## DIMENSIONS

CODE	Ø [mm]	Ød [mm]	ØD1 [mm]	ØD2 [mm]	L [mm]	a [mm]
11156001	102	90	114	93	117	52,5
11156002	127	115	137	118	142	47,5
11156003	152	140	162	143	168	47,5
11156004	160	148	170	151	177	47,5
11156005	203	191	213	194	220	47,5
11156006	254	242	264	245	272	47,5

## ASSEMBLY



## APPLICATIONS



## ITEMS

CODE	DESCRIPTION
11156001	FLEXIBLE PIPE CONNECTION WITH DAMPER Ø 102
11156002	FLEXIBLE PIPE CONNECTION WITH DAMPER Ø 127
11156003	FLEXIBLE PIPE CONNECTION WITH DAMPER Ø 152
11156004	FLEXIBLE PIPE CONNECTION WITH DAMPER Ø 160
11156005	FLEXIBLE PIPE CONNECTION WITH DAMPER Ø 203
11156006	FLEXIBLE PIPE CONNECTION WITH DAMPER Ø 254

All rights relating to this publication are the exclusive property of Tecnosystemi SpA.  
 Tecnosystemi SpA reserves the right to make changes at any time and without notice, for technical or commercial needs.