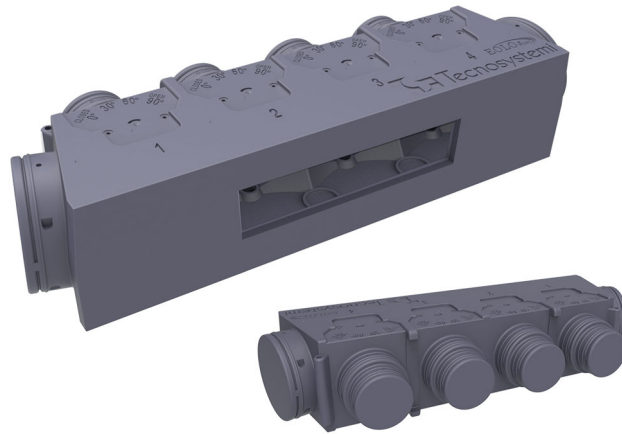


# EOLO MINI UNIVERSAL

## Polystyrene plenum kit

- cod. PWD400034 - cod. PWD400035



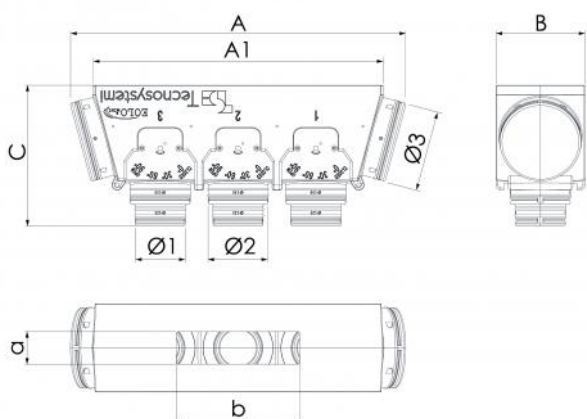
## DESCRIPTION

The EOLO MINI plenum is made of expanded sintered polystyrene. Expanded polystyrene is heat-insulating, waterproof, and lightweight, making it easy to handle and move. Installation to the ducted indoor unit is easy with aluminium profiles which can be cut to the required size. The EOLO MINI UNIVERSAL PLENUM KIT consists of:

- "Eolo Mini" plenum;
- 2 aluminium bars;
- 1 tube of glue;
- sealing gasket
- assembly instructions

## TECHNICAL SPECIFICATIONS

TECHNICAL SPECIFICATIONS	REFERENCE STANDARD	VALUE
Material		Expanded sintered polystyrene
Thermal conductivity	EN 12667 / EN 12939	0,030 ÷ 0,033 W/mK
Thermal resistance 30mm thickness		0,95 m <sup>2</sup> K/W
Resistance to the passage of steam	EN 12086	40 ÷ 70 μ
Operating temperature		-30° C / +90°C
Water absorption	EN 12087	≤5% of the volume
Fire reaction class	EN 13501-1	E



## DIMENSIONS

CODE	MODEL	A [mm]	A1 [mm]	B [mm]	C [mm]	at [mm] MAX	b [mm] MAX	Ø1 [mm]	Ø2 [mm]	Ø3 [mm]
PWD400034	AM3	818	700	217	346	185	600	3x Ø 125	3x Ø 150	2x Ø 200
PWD400035	BM4	1008	890	217	346	185	795	4x Ø 125	4x Ø 150	2x Ø 200

## ITEMS

CODE	DESCRIPTION
PWD400034	UNIVERSAL PLENUM KIT "EOLO MINI AM3 UNIVERSAL"
PWD400035	UNIVERSAL PLENUM KIT "EOLO MINI BM4 UNIVERSAL"

All rights relating to this publication are the exclusive property of Tecnosystemi SpA. Tecnosystemi SpA reserves the right to make changes at any time and without notice, for technical or commercial needs.