

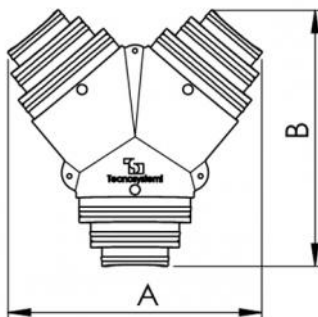
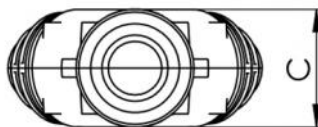
Multiple "Y" shunt in sintered polystyrene for ducted pipes

- cod. PWD400163 - cod. PWD400195



TECHNICAL SPECIFICATIONS:

- Made of sintered polystyrene
- Suitable for ducted tubes (see coupling diameters as per table)



DIMENSIONS

CODE	A [mm]	B [mm]	C [mm]	Ø COUPLERS [mm]
PWD400163	560	566	260	250 / 200 / 150
PWD400195	523	531	210	200 / 150 / 125

ITEMS

CODE	DESCRIPTION
PWD400163	* Y SHAPED POLYSTYRENE MULTIPLE BY-PASS FOR DUCTED PIPES 250/200/150 -BIG
PWD400195	* Y SHAPED POLYSTYRENE MULTIPLE BY-PASS FOR DUCTED PIPES 200/150/125 - SMALL

All rights relating to this publication are the exclusive property of Tecnosystemi SpA.
 Tecnosystemi SpA reserves the right to make changes at any time and without notice, for technical or commercial needs.