

# ALTAIR POINT

built-in wired programmable chrono-thermostat with touch  
STEALTH 3X

- cod. 11181454



## DESCRIPTION

The chrono-thermostat “Stealth 3X” for “Altair Point” is applied, using the screws and the template supplied, inside the traditional recessed boxes type E503.

The programmable thermostat allows you to perform quick operations for the management of the zone, adjusting the temperature through the air flow out of the dampers or motorised grilles.

The dialogue data and the power supply to the damper or grille is via an 8-wire telephone cable with an 8-pole RJ45 plug connection.

Attention! It is not possible with the same thermostat to check the grilles and dampers at the same time.

## TECHNICAL SPECIFICATIONS:

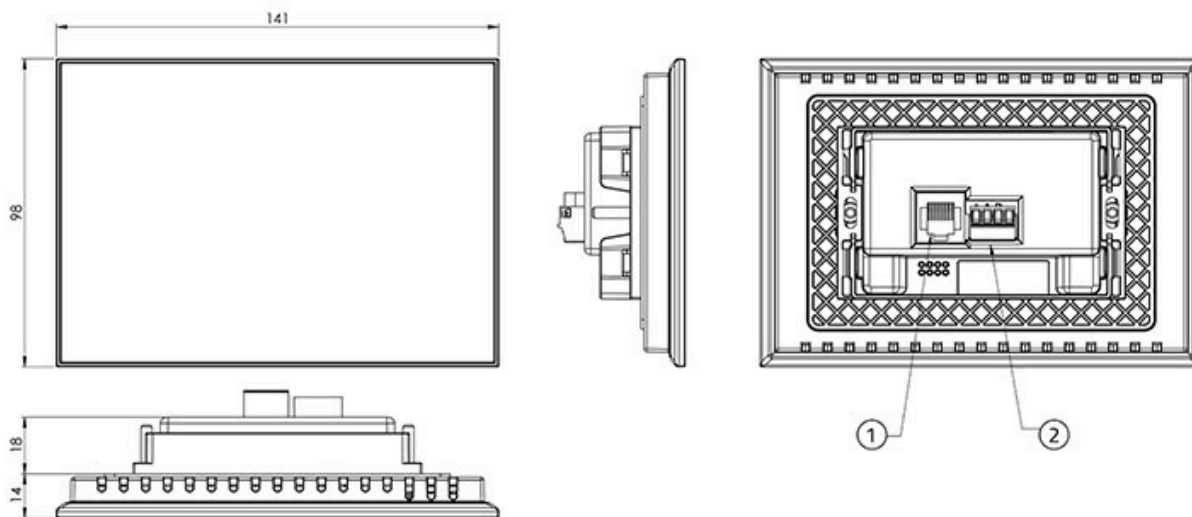
- Dimensions W 138 x H 95 x D 40 mm
- Protrusion from flush wall 15 mm
- Built-in mounted on E503 type boxes by means of adapter, screws and fixing plugs supplied
- Power supply and data transmission: 8-pin RJ45 type
- Power supply 12 V DC
- Touch keypad - 4.5” LCD display

## FUNCTIONS

- Timed or manual features
- Adjustment of the damper or motorised grille in automatic or manual mode
- Timed thermostat lock

- Temperature scale °C / °F
- RH value in %
- AT and set point value
- Clock (AM - PM / 24h)
- Weekday
- The built-in power supply is available on request

## DIMENSIONS



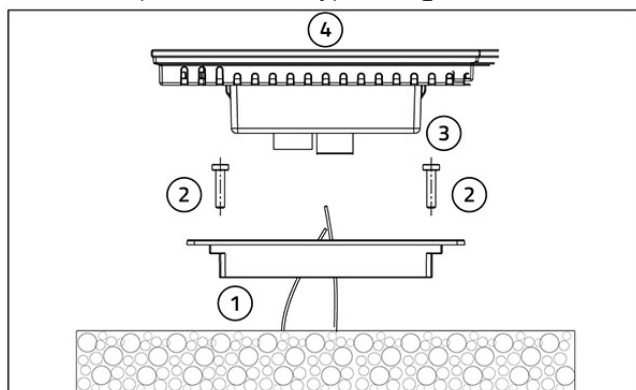
- [1] RJ45 connector
- [2] Polarised 4-pin connector

## FIXING

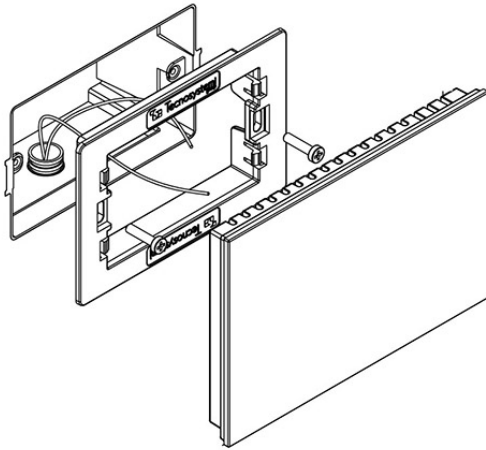
The mounting of the built-in chronothermostat on E503 type boxes by means of adaptor, screws and fixing plugs supplied.

It is applied using the screws and the template supplied, inside the traditional electric built-in boxes type E503.

The power supply of the programmable thermostat and the transmission of data with the control unit are carried out by means of 4-pole wired bus type wiring.



- [1] Adapter for box E503
- [2] Screw
- [3] Connector
- [4] Timed thermostat



## ITEMS

CODE	DESCRIPTION
11181454	LUMIX WHITE, BUILT-IN, CABLED, PROGRAMMABLE THERMOSTAT - "STEALTH 2X - POINT"

All rights relating to this publication are the exclusive property of Tecnosystemi SpA.  
 Tecnosystemi SpA reserves the right to make changes at any time and without notice, for technical or commercial needs.