

MINI LED ASTRA

back-lit touch radio-frequency thermostat, battery-powered for wall installation for ProAir system

- cod. GAD100016



DESCRIPTION

The innovative ASTRA thermostat is designed to offer full comfort, easy use and maximum efficiency.

This pioneering device ensures precise, custom temperature control in the place of use.

Using the hooking template supplied, the thermostat can be fixed to/removed from the wall with light pressure at any time.

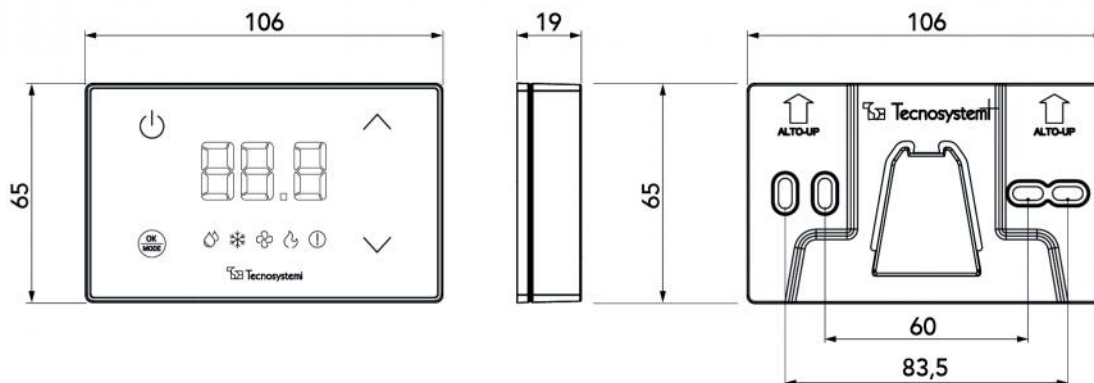
The thermostat works in perfect harmony with the Polaris 5X controller, does not require connection cables and ensures easy and intuitive control.

This thermostat not only monitors the temperature but also humidity, making the room pleasant and comfortable at all times.

Using the TECNOSYSTEMI app in combination with the GALAXY system, it is possible to programme the time bands and access advanced functions.

This flexibility is used to adapt the climate according to daily need, simply by touching your smartphone screen.

DIMENSIONS



TECHNICAL SPECIFICATIONS

TECHNICAL SPECIFICATIONS	
Power supply:	2 AAA 1.5 V batteries
Battery life:	≥ 1 year
Protection rating:	IP30
Operating temperature:	0° C ÷ +40° C
Storage temperature:	-10° C ÷ +50° C
Operating humidity:	20% ÷ 80% RH
Radio communication frequency:	868 MHz
Temperature control setpoint:	10° C ÷ 35° C
Measured temperature resolution:	0.1° C
Transmission range:	up to 50 m in open field
Weight (without batteries):	75 g
Body material:	ABS white
Front material:	white PMMA

FUNCTIONAL FEATURES

- Front cover in white PMMA.
- White ABS base for wall installation (fixing kit included).
- LED user Interface.
- Capacitive touch keys.
- Keypad lock function to prevent changes by unauthorised personnel.
- Compatible with POLARIS 5X controller.
- Radio communication between devices.
- RF transmission up to 50 m in open field.
- Battery power supply (not included).
- Set point management and room temperature display.
- Season change.
- Shutter opening control.

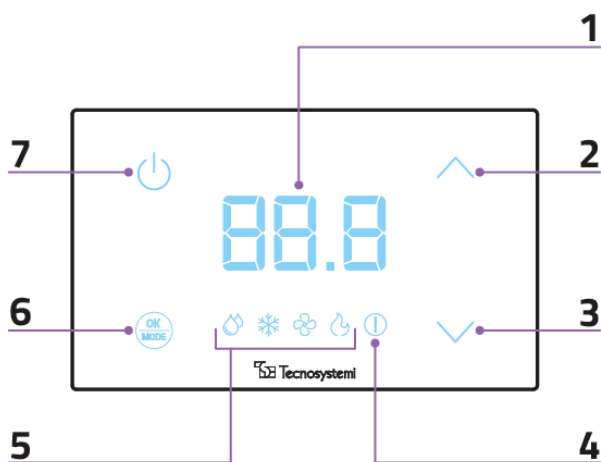
- Chrono or manual functions. (*)
- ON/OFF master function.
- Alarm signals.
- Sensor type: electronic.
- Temperature and humidity sensor.

(*) can be set from the 'Polaris' controller, the 'Proair Multi-Zone' app or the Master Chronothermostat

REFERENCE STANDARDS

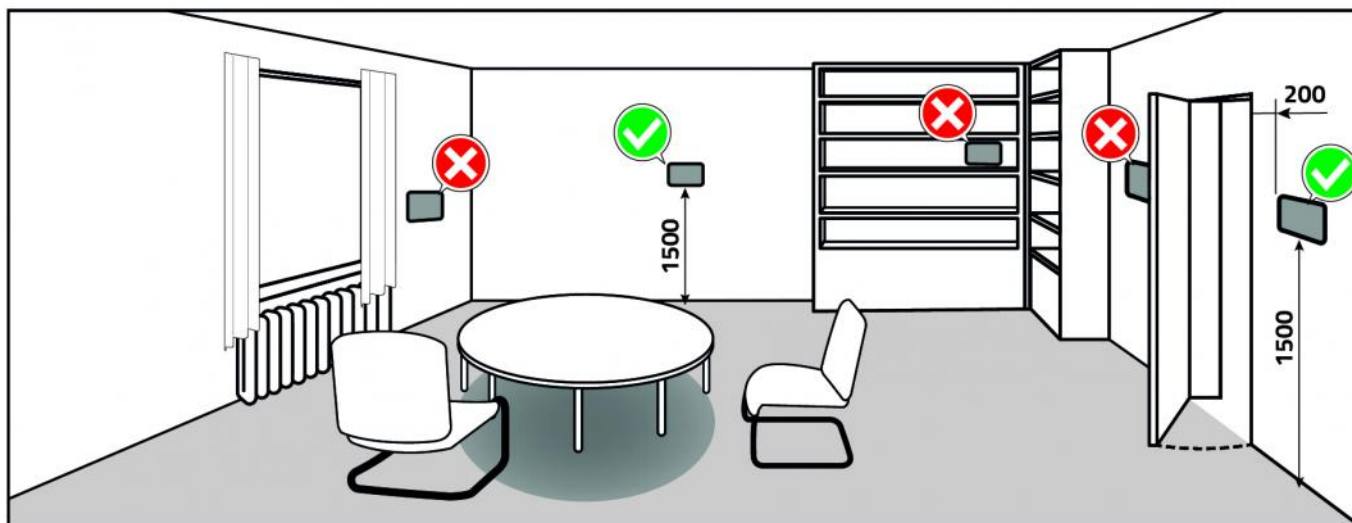
Conformity to EU Directives LVD (2014/35/UE) and EMC (2014/30/UE) is declared with reference to Standards CEI EN 60730-1 and CEI EN 60730-2-9.

REFERENCES

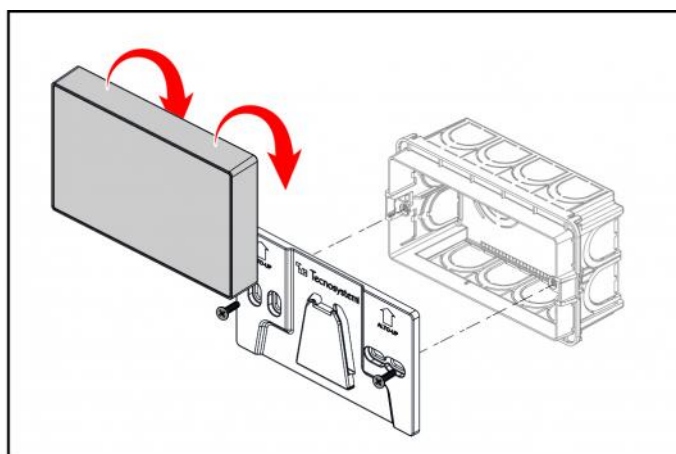
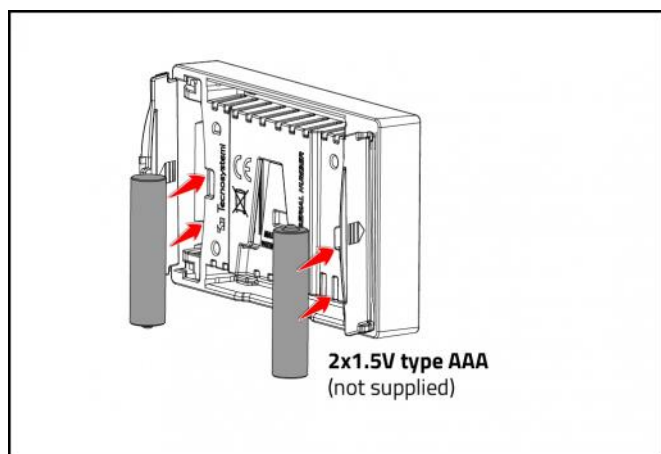


- [1] Display
- [2] UP / Increase key
- [3] DOWN / Decrease key
- [4] Messages
- [5] Operating mode (view only)
- [6] Select/Save
- [7] ON/OFF / Exit

RECOMMENDED INSTALLATION



ASSEMBLY



ITEMS

CODE	DESCRIPTION
GAD100016	"MINI-LED ASTRA" THERMOSTAT , TOUCH, IN RADIO FREQUENCY, BATTERY OPERATING, WALL INSTALLATION

All rights relating to this publication are the exclusive property of Tecnosystemi SpA. Tecnosystemi SpA reserves the right to make changes at any time and without notice, for technical or commercial needs.