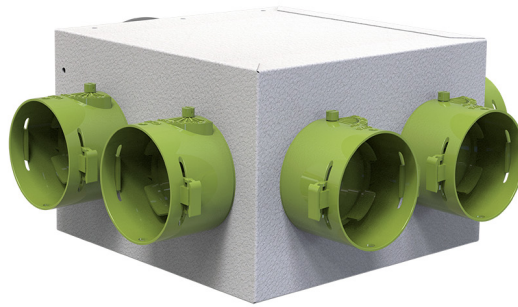


# Insulated distribution plenum H160 for VMC for flexible ducted hose 6 - 8 outlets Ø75 and Ø90 with sleeves complete with calibration damper with adjustment

- cod. ACD600158 - cod. ACD600159 - cod. ACD600160  
- cod. ACD600161



## DESCRIPTION

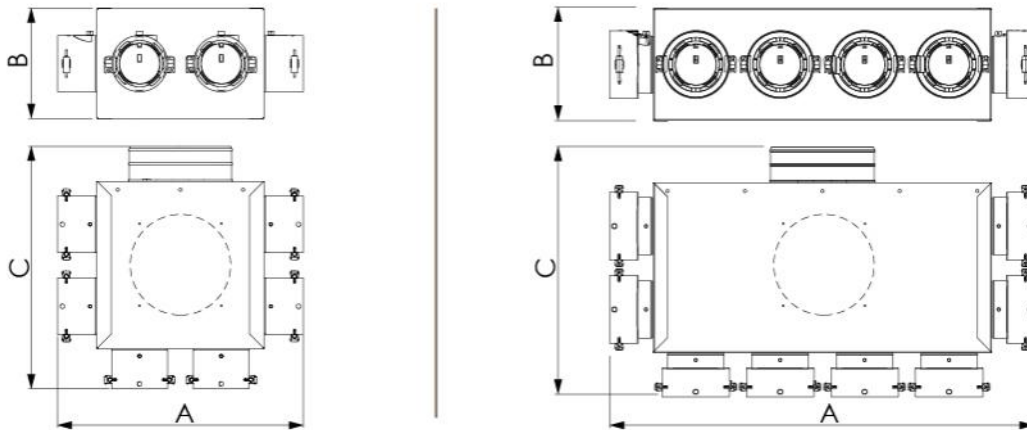
Distribution plenum for VMC made of galvanised metal sheet and insulated externally with polyethylene (thk. 3 mm), designed for use with flexible ducted pipes.

The reduced height allows installation in confined spaces (e.g. false ceilings).

The plenum is equipped with an inlet collar for Ø150 mm pipes (not mounted) and 6 or 8 pre-mounted Ø75 or Ø90 outlet collars complete with damper.

It is equipped with two pre-drilled Ø150 inlets to be perforated as required.

## DIMENSIONS

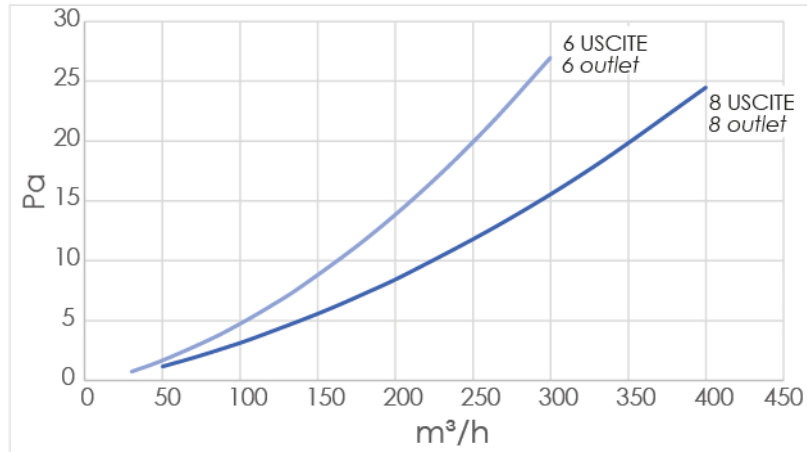


CODE	A	B	C	Weight
ACD600158	355	160	350	1.5
ACD600159	595	160	350	2.5
ACD600160	365	160	355	1.5
ACD600161	605	160	355	2.5

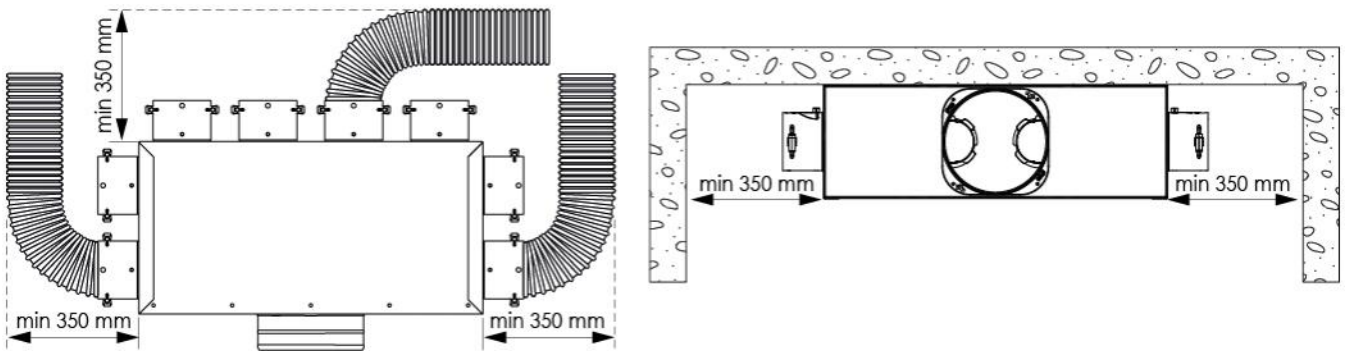
## TECHNICAL SPECIFICATIONS

	ACD600158	ACD600159	ACD600160	ACD600161
Material	galvanised metal sheet			
Insulation material	polyethylene thk. 3mm			
IN connection	Ø 150			
OUT connection	7 - Ø75	9 - Ø75	7 - Ø90	9 - Ø90

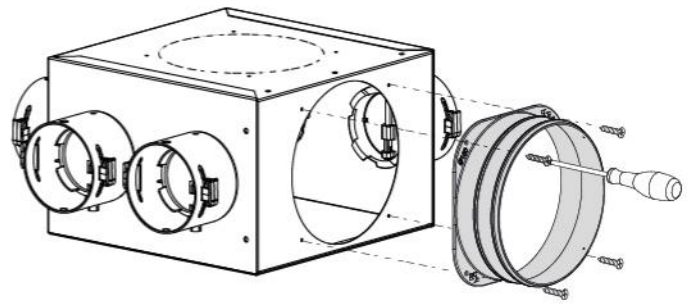
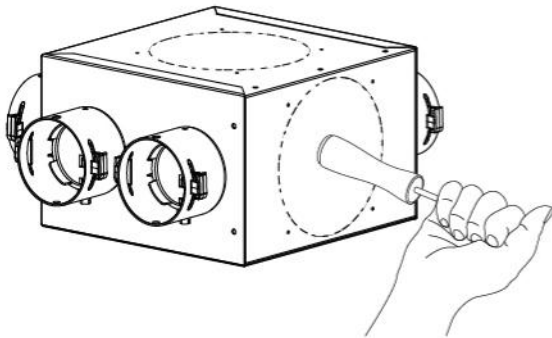
## LOAD LOSS DIAGRAM



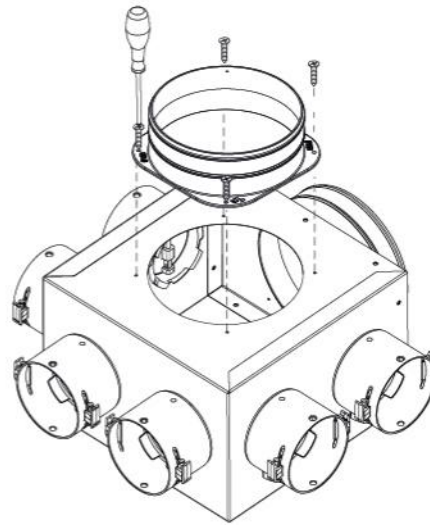
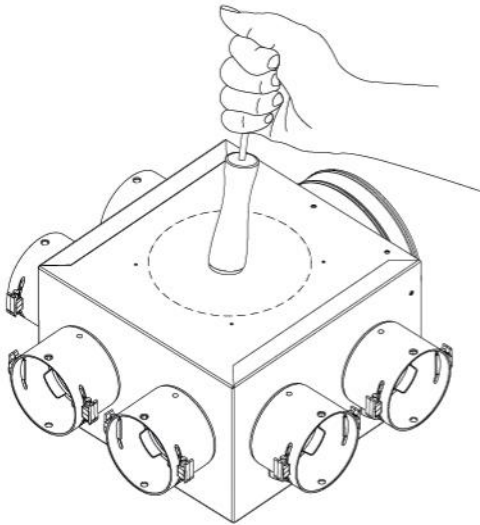
## MINIMUM INSTALLATION DIMENSIONS



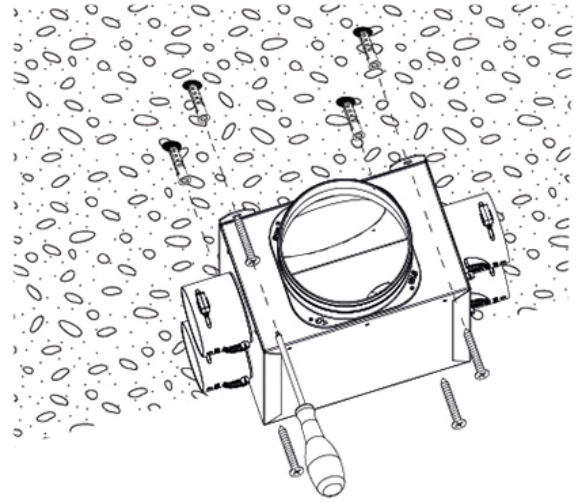
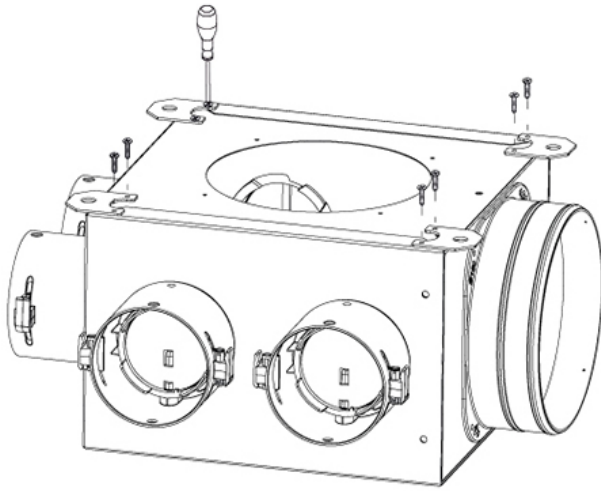
## COLLAR ASSEMBLY



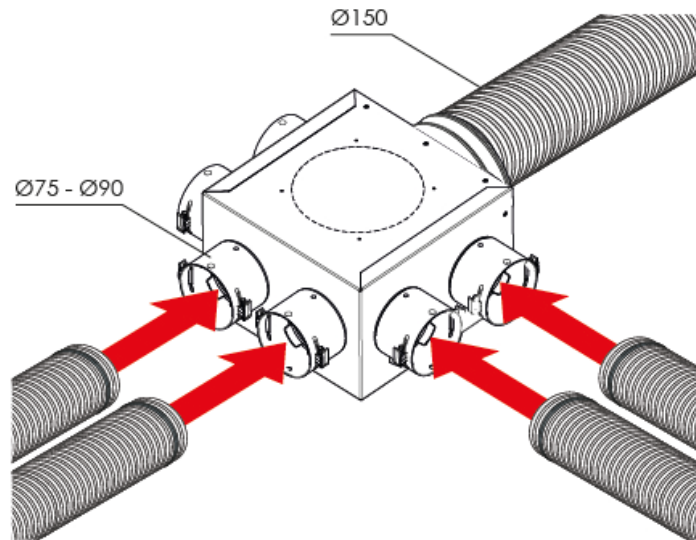
## ALTERNATIVE APPLICATIONS



EXAMPLE OF ASSEMBLY



## EXAMPLE OF PIPE CONNECTION



## ITEMS

CODE	DESCRIPTION
ACD600158	CMV INSULATED SHEET METAL PLENUM - 6 OUTLETS Ø 75 - INLET Ø 150
ACD600159	CMV INSULATED SHEET METAL PLENUM - 8 OUTLETS Ø 75 - INLET Ø 150
ACD600160	CMV INSULATED SHEET METAL PLENUM - 6 OUTLETS Ø 90 - INLET Ø 150
ACD600161	CMV INSULATED SHEET METAL PLENUM - 8 OUTLETS Ø 90 - INLET Ø 150

All rights relating to this publication are the exclusive property of Tecnosystemi SpA.  
 Tecnosystemi SpA reserves the right to make changes at any time and without notice, for technical or commercial needs.