

# AirFor3 Up

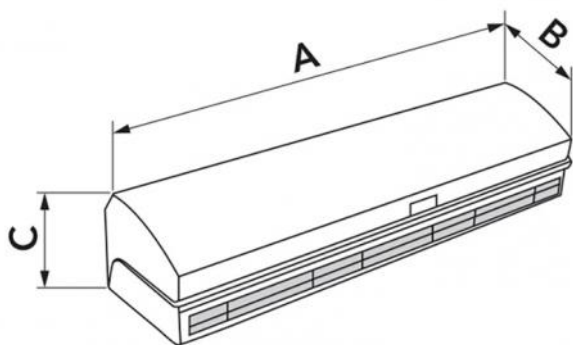
Centrifugal air curtain with upper extraction

- cod. 12300038 - cod. 12300039



## TECHNICAL SPECIFICATIONS:

- 2 models in white
- Operating temperature: + 50°C to -10°C
- 3 speeds operated by remote control or manually
- Air curtains are designed for indoor use.
- Upper air intake
- The unit must be installed horizontally
- Maximum installation height 3.5 m



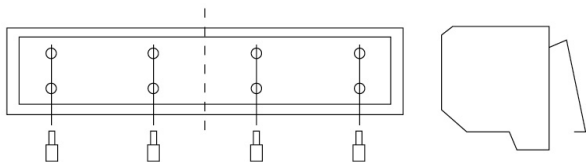
## DIMENSIONS

CODE	MODEL	A [mm]	B [mm]	C [mm]	SUITABLE FOR LARGE DOORS [mm]
12300038	1000		230	212	L 1000 H 3500
12300039	1500		230	212	L1500 H3500

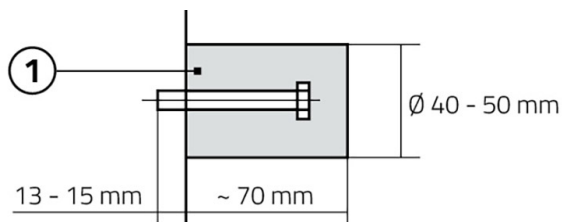
## TECHNICAL DATA

CODE	SUPPLY VOLTAGE [V]	FREQUENCY [Hz]	POWER CONSUMPTION [W]	AIR SPEED AT INLET [m/s]	AIR FLOW RATE [m³/h]	SOUND POWER LEVEL [DB(A)]	REMOTE CONTROL	WEIGHT [kg]
12300038	230 ac	50	I:186 II:238 III: 322	I:9 II:11 III: 12.5	798	I:46 II:51 III:58	3-speed adjustment	16,9
12300039	230 ac	50	I:291 II:381 III: 536	I:9 II:11 III: 12.5	1330	I:51 II:56 III: 62	3-speed adjustment	22,6

## INSTALLATION AND START-UP

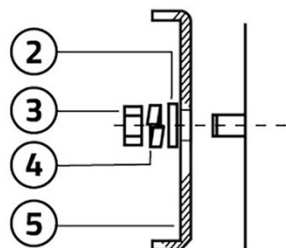


Unscrew the mounting plate and remove it.



Drill a hole as shown in the instructions and insert the bolt into it, securing it with cement.

[1] Concrete



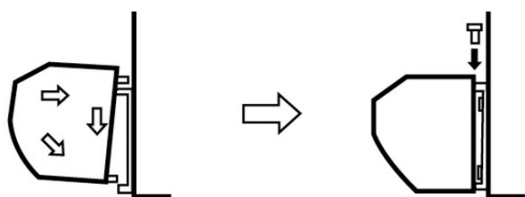
Position the mounting plate and secure it.

[2] Washer

[3] Nut

[4] Elastic washer

[5] Assembly plate



Install the air curtain on the mounting plate, making sure that it is in the safety position and tighten it with the appropriate screws.

## ITEMS

CODE	DESCRIPTION
12300038	"AIRFOR3 UP" CENTRIFUGAL AIR CURTAIN WITH UPPER AIR INTAKE 1000
12300039	"AIRFOR3 UP" CENTRIFUGAL AIR CURTAIN WITH UPPER AIR INTAKE 1500

All rights relating to this publication are the exclusive property of Tecnosystemi SpA. Tecnosystemi SpA reserves the right to make changes at any time and without notice, for technical or commercial needs.