

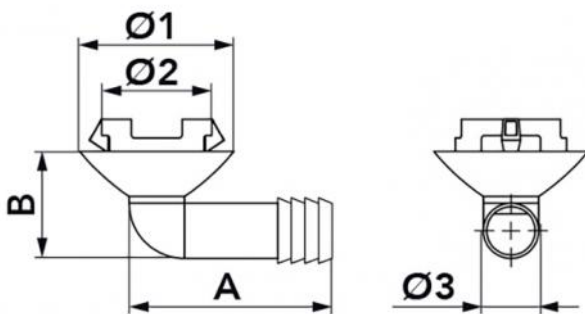
Large condensate collection pipette kit

- cod. 11126361



THE KIT CONSISTS OF:

- 1 large pipette
- 2 caps



DIMENSIONS

CODE	A [mm]	B [mm]	Ø 1 [mm]	Ø 2 [mm]	Ø 3 [mm]
11126361	43	30	45	32	16

PIPETTE TECHNICAL DATA

SPECIFICATIONS	DATA
Material	Polypropylene
Shrinkage [%]	1.05
Fluidity index [g/10min]	6-8
Density [g/cm ³]	1.03
Flexural modulus [Mpa]	1750
Tensile strength [Mpa]	26.5
Flexural strength [Mpa]	35.5
Impact resistance [KJ/m ²]	88
Shear resistance [KJ/m ²]	13
Elongation at break [%]	69
Combustion residue [%]	20

ITEMS

CODE	DESCRIPTION
11126361	LARGE CONDENSATE DRIP FUNNEL KIT WITH SEALS

All rights relating to this publication are the exclusive property of Tecnosystemi SpA.
 Tecnosystemi SpA reserves the right to make changes at any time and without notice, for technical or commercial needs.

