

BLUE RIVER

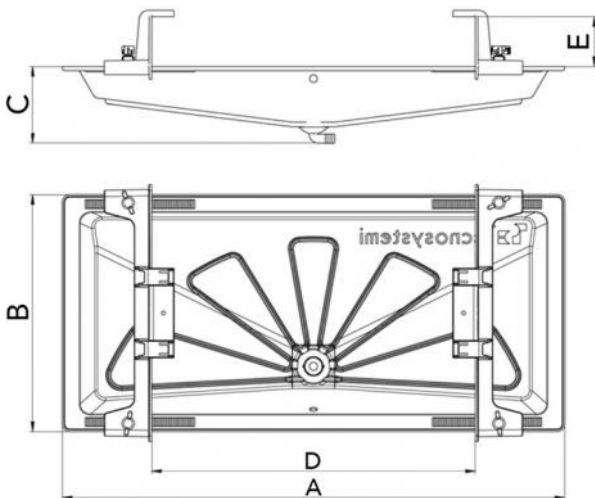
Condensate drain pan

- cod. 11100100F - cod. 11100101F - cod. SCD300030



DESCRIPTION

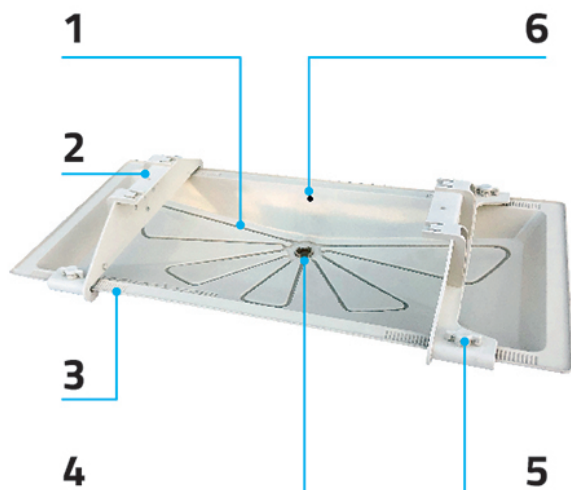
Ivory coloured ABS+PMMA plastic tank complete with PA6 plastic adjustable fixing brackets to the external unit. The tray is equipped with a built-in installation box for heating cable and \varnothing 20 mm condensate discharge pipe fitting. Blue River tanks are designed to easily adapt to the wide range of wall brackets available in the catalogue.



DIMENSIONS

CODE	A [mm]	B [mm]	C [mm]	D [mm]	E [mm]
11100100F	850	400	130	320 ÷ 680	85
11100101F	1050	400	125	330 ÷ 885	85
SCD300030	1250	500	100	565 ÷ 1125	85

REFERENCES



- [1] BUILT-IN INSTALLATION BOX FOR HEATING CABLE
- [2] TELESCOPIC ANCHORING BRACKETS
- [3] TELESCOPIC BRACKET POSITIONING RACK
- [4] HOLE FOR CONDENSATE COLLECTION PIPETTE FIXING
- [5] FLOWER-SHAPED LOCKING SCREW FOR TELESCOPIC BRACKET
- [6] BUILT-IN INSTALLATION BOX FOR HEATING CABLE SEAL DUCT

EXAMPLES OF INSTALLATION:





ITEMS

CODE	DESCRIPTION
11100100F	"BLUE RIVER" DRAIN PAN IN PMMA W/TELESCOPIC BRACKETS & BLOCKING RACK (850X400 mm)
11100101F	"BLUE RIVER" DRAIN PAN IN PMMA W/TELESCOPIC BRACKETS & BLOCKING RACK (1050x400 mm)
SCD300030	"BLUE RIVER" DRAIN PAN IN PMMA W/TELESCOPIC BRACKETS & BLOCKING RACK (1250x500 mm)

All rights relating to this publication are the exclusive property of Tecnosystemi SpA.
 Tecnosystemi SpA reserves the right to make changes at any time and without notice, for technical or commercial needs.

