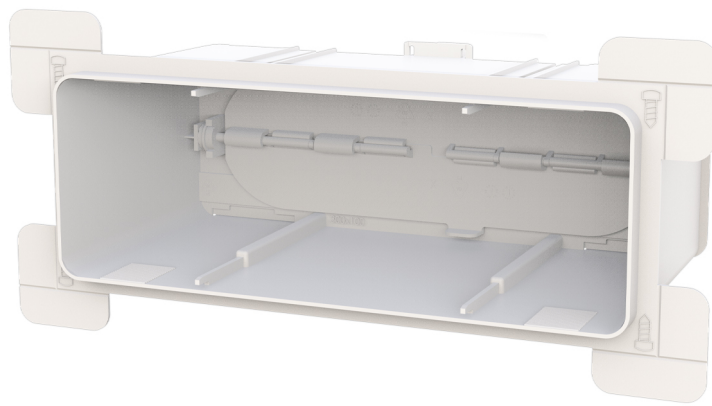


# WALL BOX

white polystyrene plenum

- cod. PWD402430 - cod. PWD402431 - cod. PWD402432
- cod. PWD402433 - cod. PWD402434 - cod. PWD402440
- cod. PWD402441 - cod. ACD600091



## DESCRIPTION

The plenum in PS (polystyrene) plastic is the ideal solution for an efficient controlled mechanical ventilation system (VMC).

The plenum assures easy installation and integration with the installed ventilation system.

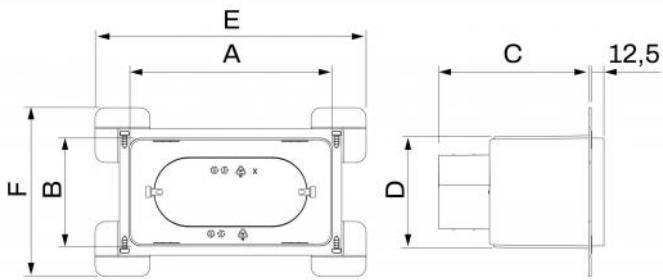
The plenum has adjustable calibration dampers used to balance the air flow in the room.

Practical plastic clips for easy and sturdy hose installation.

## APPLICATIONS

The PS plenum is applied to residential and commercial controlled mechanical ventilation systems.

The plenum is designed for fixing on plasterboard or walls with a minimum depth of 150 to 200 mm.



## DIMENSIONS

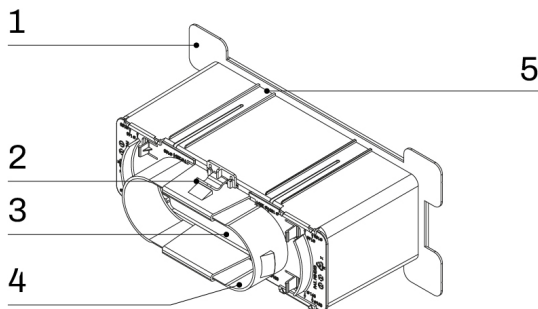
CODE	A [mm]	B [mm]	C [mm]	D [mm]	E [mm]	F [mm]	Ø PLENUM NECK
PWD402430	200	100	150	110	270	170	125
PWD402431	300	100	190	120	370	170	150 - 165 - 180 - 200
PWD402432	400	100	190	120	470	170	150 - 165 - 180 - 200
PWD402433	300	150	190	150	370	210	150 - 165 - 180 - 200
PWD402434	400	150	190	150	470	210	150 - 165 - 180 - 200
PWD402440	500	150	190	150	570	210	150 - 165 - 180 - 200
PWD402441	500	200	190	180	570	250	200

## POLYSTYRENE TECHNICAL FEATURES

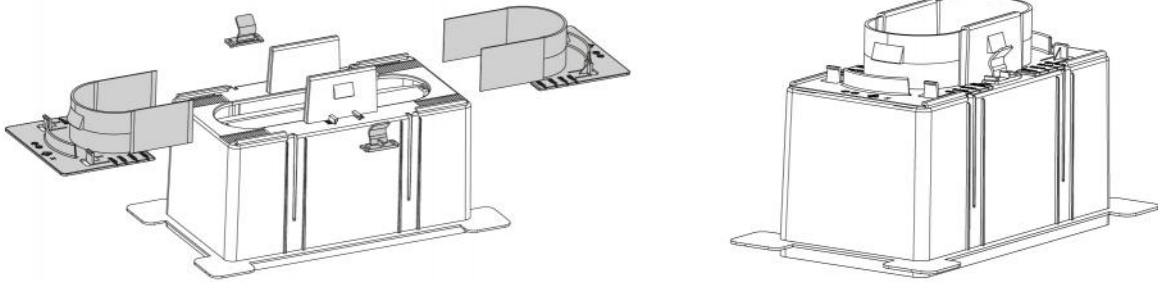
	UNIT OF MEASUREMENT	REF. STANDARD	VALUE
Density:	g/cm <sup>3</sup>	ISO 1183	1.05
Flow index MFI (200°C / 5 kg)	g/10 min	ISO 1133	/
Shrinkage	%		0,3-0,7
Water absorption (24h/23°C)	%	ISO 62	0.05
Izod impact test (notch/23° C)	KJ/m <sup>2</sup>	ISO 180/1A	8
Izod impact test (no notch/23° C)	KJ/m <sup>2</sup>	ISO 180/1U	30
Tensile strength	N/mm <sup>2</sup>	ISO 527-2	20
Tensile creep	%	ISO 527-2	/
Tensile strength	N/mm <sup>2</sup>	ISO 527-2	18
Elongation at break	%	ISO 527-2	/
Modulus of elasticity	N/mm <sup>2</sup>	ISO 527-2	/
Modulus of elasticity in bending	N/mm <sup>2</sup>	ISO 178	/
HDT (0.455 Mpa)	°C	ISO 75-2	110
HDT (1.820 Mpa)	°C	ISO 75-2	80
VICAT (10 N)	°C	ISO 306	n.a.
VICAT (50 N)	°C	ISO 306	n.a.
Melting temperature	°C	ISO 3146	/

## REFERENCES

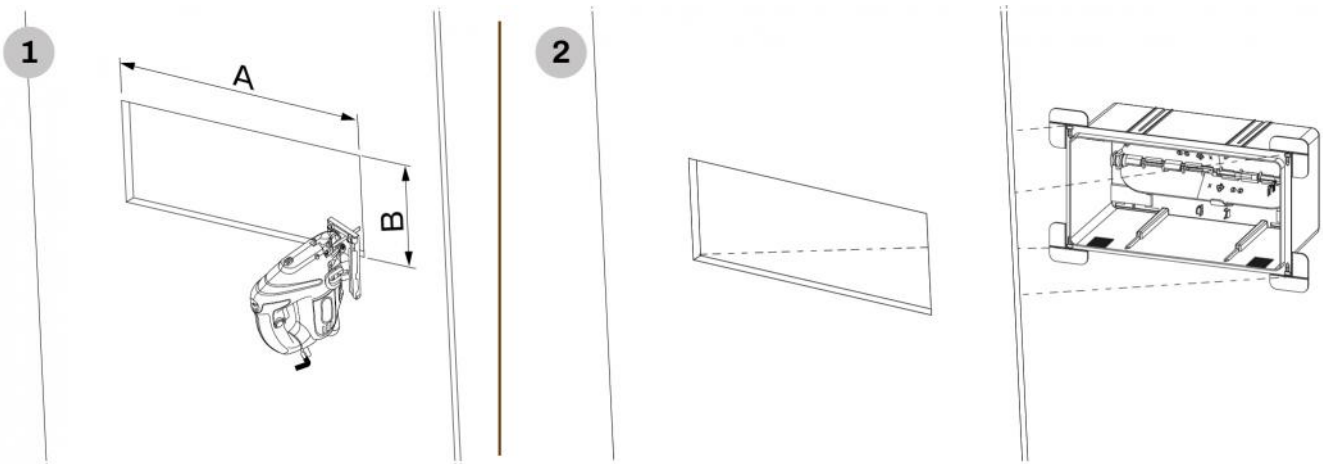
- [1] Fixing flaps for plasterboard
- [2] Hose assembly clips
- [3] Adjustable calibration damper
- [4] Telescopic hose coupling
- [5] Plenum fixing hooks on plasterboard



## ASSEMBLY



## EXAMPLE OF INSTALLATION ON PLASTERBOARD

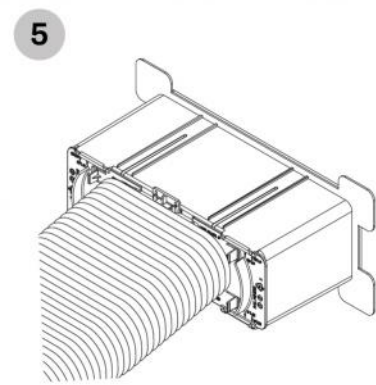
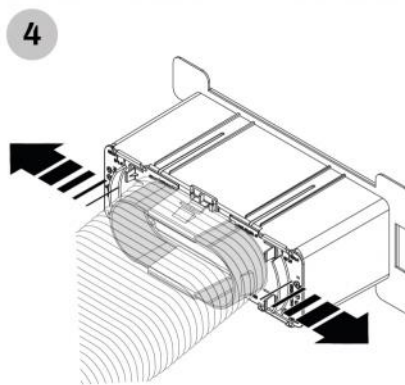
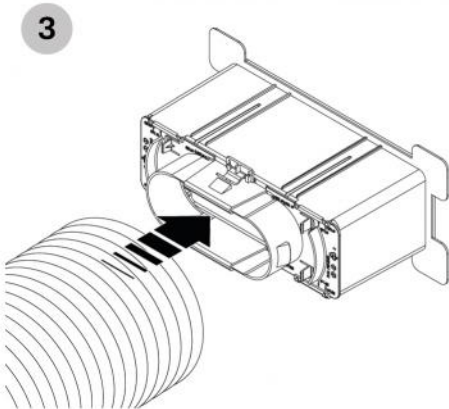
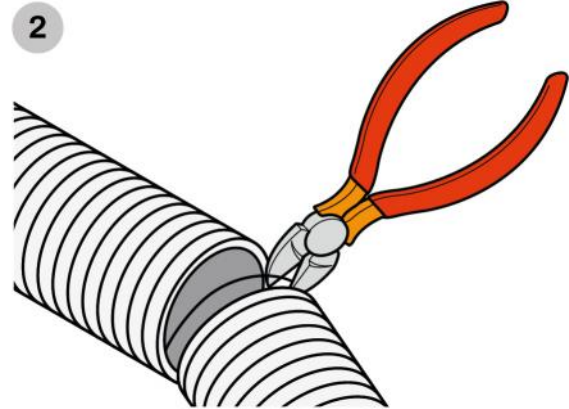
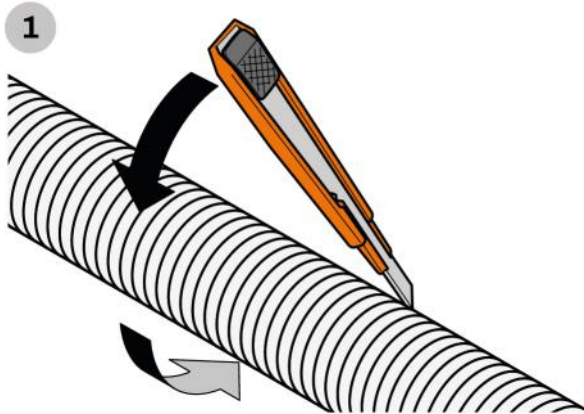




## EXAMPLE OF WALL INSTALLATION



## HOSE FIXING



## ITEMS

CODE	DESCRIPTION
PWD402430	PLENUM IN PS WITH REAR TELESCOPIC COLLAR FOR GRILLE 200X100
PWD402431	PLENUM IN PS WITH REAR TELESCOPIC COLLAR FOR GRILLE 300X100
PWD402432	PLENUM IN PS WITH REAR TELESCOPIC COLLAR FOR GRILLE 400X100
PWD402433	PLENUM IN PS WITH REAR TELESCOPIC COLLAR FOR GRILLE 300X150
PWD402434	PLENUM IN PS WITH REAR TELESCOPIC COLLAR FOR GRILLE 400X150
PWD402440	PLENUM IN PS WITH REAR TELESCOPIC COLLAR FOR GRILLE 500X150
PWD402441	PLENUM IN PS WITH REAR TELESCOPIC COLLAR FOR GRILLE 500X200
ACD600091	BRACKETS KIT FOR CMV PLENUM

All rights relating to this publication are the exclusive property of Tecnosystemi SpA.  
Tecnosystemi SpA reserves the right to make changes at any time and without notice, for technical or commercial needs.