

# LUXURY

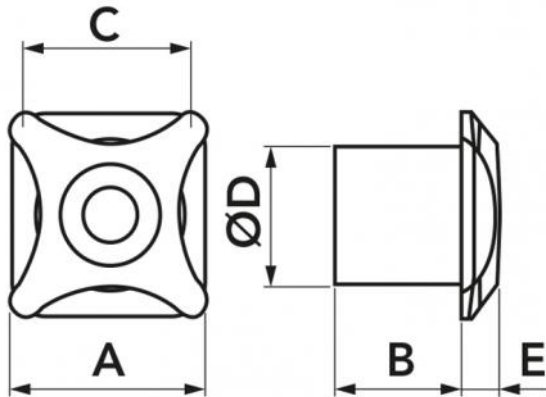
electric extractor

- cod. 11104026



## TECHNICAL SPECIFICATIONS:

- Made of ABS
- Fastening by means of hidden screws
- 7-blade fan
- Designed for ventilation of medium to small rooms
- Wall- or ceiling-mounted
- Built-in 12 V LED light



## DIMENSIONS

CODE	A [mm]	B [mm]	C [mm]	Ø D [mm]	E [mm]
11104026	152	95	120	100	36

## TECHNICAL DATA

TECHNICAL SPECIFICATIONS	TECHNICAL DATA
Power supply [V]	220
Frequency [Hz]	50
Power [W]	16
Absorbed current [A]	0,085
Extraction capacity [m³/h]	89
Air pressure [Pa]	31
Max sound level [dB(A)]	33
SPEED [RPM]	2300
Weight [kg]	0,62

## ITEMS

CODE	DESCRIPTION
11104026	"LUXURY" ELECTRIC EXTRACTOR

All rights relating to this publication are the exclusive property of Tecnosystemi SpA.  
 Tecnosystemi SpA reserves the right to make changes at any time and without notice, for technical or commercial needs.