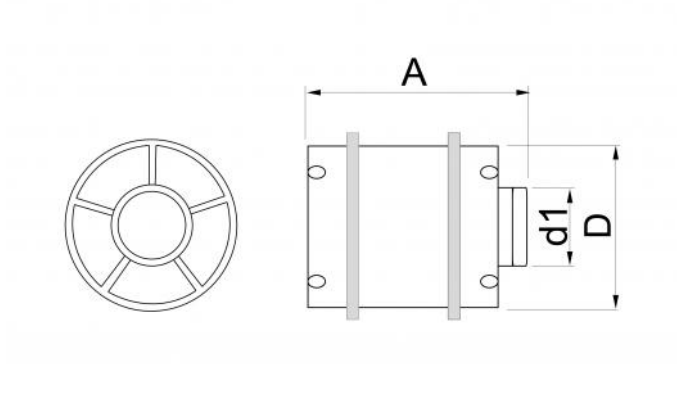


SOTTOCAPPA

electric extractor

- cod. 11104030 - cod. 11104031 - cod. 11104032



DIMENSIONS

CODE	MODEL	A [mm]	Ø D [mm]	Ø d1 [mm]
11104030	SOTTOCAPPA Ø 100	110	100	59
11104031	SOTTOCAPPA Ø 125	118	125	59
11104032	SOTTOCAPPA Ø 150	128	150	59

DESCRIPTION

Underbench axial fan in high-quality UVA-resistant ABS.

Underbench units are ideal for the continuous or periodic ventilation of rooms such as the bathroom, shower room, kitchen, etc.

Designed for PVC or flexible hose duct systems - Ø100 mm - Ø125 mm - Ø150 mm

TECHNICAL DATA

MODEL	Ø 100	Ø 125	Ø 150
Power supply [V]	230		
Frequency [Hz]	50		
Power [W]	14	16	29
Absorbed current [A]	0,085	0,1	0,13
Extraction capacity [m³/h]	107	190	305
Air pressure [Pa]	41	60	95
Max sound level [dB(A)]	36	38	40
SPEED [RPM]	2300	2400	
Protection rating	IPX4		
Weight [kg]	0,41	0,43	0,80

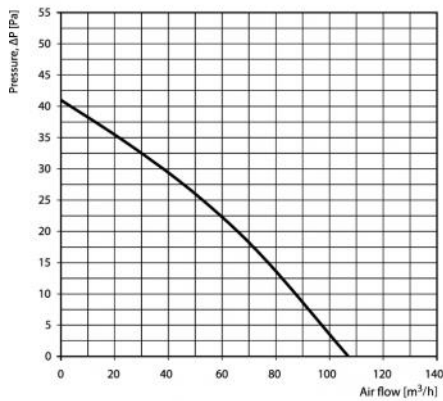
DATI ECODESIGN

MODEL		11104030	11104031	11104032
Type		RVU - uni-directional		
Driving type		multi-speed		
Specific energy consumption - cold climate	kWh/(m ² /a)	31	32	
Class SEC - cold climate		B		
Specific energy consumption - temperate climate	kWh/(m ² /a)	15		
Class SEC - temperate climate		E		
Specific energy consumption - hot climate	kWh/(m ² /a)	5	6	
Class SEC - hot climate		F		
Maximum capacity	m ³ /h	107	190	305
Electrical power consumption	W	14	16	29
Nominal capacity	m ³ /s	0.021	0.037	0.059
Specific power input (SPI)	W/(m ³ /h)	0.084	0.054	0.061
Type of control		manual		
Maximum external drawing	%	2.7		
Annual consumption (AEC) - cold climate	kWh/a	100		
Annual consumption (AEC) - temperate climate	kWh/a	100		
Annual consumption (AEC) - hot climate	kWh/a	100		
Annual heating savings (AHS) - cold climate	kWh/a	3400		
Annual heating savings (AHS) - temperate climate	kWh/a	1700		
Annual heating savings (AHS) - hot climate	kWh/a	800		
Declared type		RVU UVU		
Noise power level	dB(A)	56	58	60

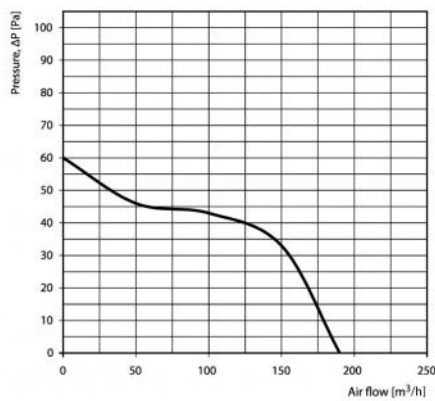
In accordance with Regulation (EU) 1253/2014 and Regulation (EU) 1254/2014

FLOW RATE DIAGRAMS

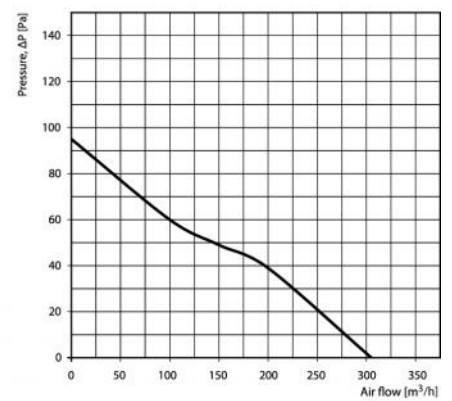
11104030



11104031



11104032



ITEMS

CODE	DESCRIPTION
11104030	"SOTTOCAPPA" ELECTRIC EXTRACTOR, D.100
11104031	"SOTTOCAPPA" ELECTRIC EXTRACTOR, D.125
11104032	"SOTTOSCAPA" ELECTRIC EXTRACTOR, D.150

All rights relating to this publication are the exclusive property of Tecnosystemi SpA.
 Tecnosystemi SpA reserves the right to make changes at any time and without notice, for technical or commercial needs.