

# HERCULES

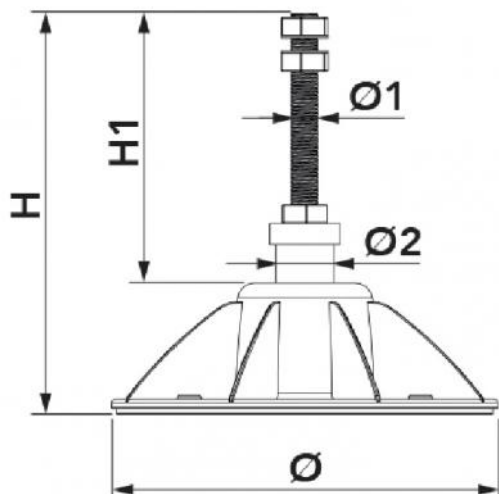
adjustable floor support

- cod. 11105110 - cod. 11105120 - cod. 11105130  
- cod. 11105140



## TECHNICAL SPECIFICATIONS:

- High mechanical strength
- Rear anti-vibration rubber mat 10 mm
- Built-in spirit level
- Threaded bar
- Galvanised tube Ø 50 mm
- Available in black
- Capacity 2000 kg
- Prepared for pipes Ø 50, profile 41x41 and pipe 40x40



## DIMENSIONS

CODE	Ø [mm]	Ø1 [mm]	Ø2 [mm]	H [mm]	H1 [mm]
11105110	330	--	--	106	--
11105120	330	M24	50	210 - 300	104 - 194
11105130	330	M24	50	260 - 390	154 - 194
11105140	330	M24	50	370 - 500	264 -- 394

## TECHNICAL DATA

CODE	LOAD CAPACITY [kg]
11105110	2000
11105120	2000
11105130	2000
11105140	2000

## ITEMS

CODE	DESCRIPTION
11105110	"HERCULES" 100 FOOT MOUNT
11105120	ADJUSTABLE "HERCULES" 150-300 FOOT MOUNT
11105130	ADJUSTABLE "HERCULES" 150-400 FOOT MOUNT
11105140	ADJUSTABLE "HERCULES" 150-500 FOOT MOUNT

All rights relating to this publication are the exclusive property of Tecnosystemi SpA.  
 Tecnosystemi SpA reserves the right to make changes at any time and without notice, for technical or commercial needs.