

INFINITY

INFINITY floor support with BLUE RIVER drain pan and GENIUS 1000 fixed foot

- cod. SCD500010 - cod. SCD500011 - cod. SCD500292
- cod. SCD500293 - cod. SCD500296 - cod. SCD500297



TECHNICAL SPECIFICATIONS:

- Electro-galvanised metal sheet feet
- Polyester exterior feet painted in ivory RAL 9002
- BLUE RIVER basin in ivory ABS PMMA plastic
- Coupling for condensate drain pipe Ø 16
- Includes "No- Shock" 2 Hard + 2 Soft vibration-damping kit
- Genius 1000 feet with Ø10 quick release pin
- Capacity 150 kg

ELECTRICAL HEATING CABLE SPECIFICATIONS:

- Heating cable diameter 6 mm
- Power supply voltage 230 V
- Resistance tolerances -5% / +10%
- Activation of element at +3°C
- Built-in thermal sensor

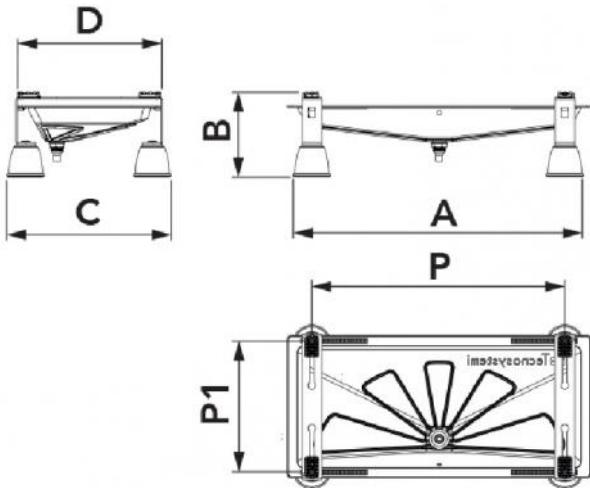
MODELS AVAILABLE:

WITH HEATING CABLE 3 m:

- Includes 15 W/m 3 m heating cable
- Coupling for condensate drain pipe Ø 16

WITH HEATING CABLE 3 + 3 m

- Includes 15 W/m 3 m + 3 m (6 m total) heating cable
- Coupling for condensate drain pipe Ø 20
- Equipped with a condensate drain pipe securing clamp
- With 3 m insulated condensate drain pipe



DIMENSIONS

CODE	A [mm]	B [mm]	C [mm]	D [mm]	P [mm]	P1 [mm]
SCD500010	850	230	460	410	400 - 800	150 - 370
SCD500011	1050	230	460	410	1000 - 400	370 - 150
SCD500292	850	230	460	410	800 - 400	370 - 150
SCD500293	1050	230	460	410	1000 - 400	370 - 150
SCD500296	850	230	460	410	800 - 400	370 - 150
SCD500297	1050	230	460	410	1000 - 400	370 - 150

TECHNICAL DATA

CODE	LOAD CAPACITY [kg]
SCD500010	150
SCD500011	150
SCD500292	150
SCD500293	150
SCD500296	150
SCD500297	150

- Heating cable diameter 6 mm
- Power supply voltage 230 V
- Resistance tolerances -5% / +10%
- Activation of element at +3°C
- Built-in thermal sensor

ITEMS

CODE	DESCRIPTION
SCD500010	FLOOR STAND "INFINITY" W/ SMALL DRAIN PAN "BLUE RIVER + FIXED FEET "GENIUS 1000"
SCD500011	FLOOR STAND "INFINITY" W/ LARGE DRAIN PAN "BLUE RIVER + FIXED FEET "GENIUS 1000"
SCD500292	FLOOR STAND "INFINITY" W/ SMALL DRAIN PAN "BLUE RIVER + 3 MT CABLE + FIXED FEET "GENIUS 1000"
SCD500293	FLOOR STAND "INFINITY" W/ LARGE DRAIN PAN "BLUE RIVER + 3 MT CABLE + FIXED FEET "GENIUS 1000"
SCD500296	FLOOR STAND "INFINITY" W/ SMALL DRAIN PAN "BLUE RIVER + 6 MT CABLE + FIXED FEET "GENIUS 1000"
SCD500297	FLOOR STAND "INFINITY" W/ LARGE DRAIN PAN "BLUE RIVER + 6 MT CABLE + FIXED FEET "GENIUS 1000"

All rights relating to this publication are the exclusive property of Tecnosystemi SpA.
 Tecnosystemi SpA reserves the right to make changes at any time and without notice, for technical or commercial needs.

