

# Spring-loaded vibration-damping for suspended systems

- cod. SCC500035 - cod. SCC500033 - cod. SCC500034



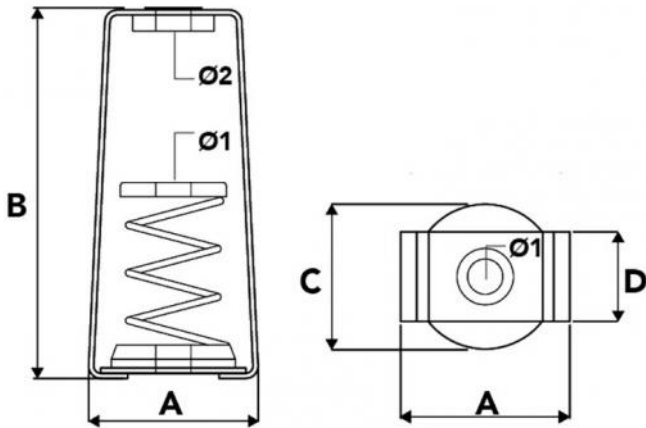
**SCC500035**  
**25 KG**

**SCC500033**  
**50 KG**

**SCC500034**  
**75 KG**

## TECHNICAL SPECIFICATIONS:

- Steel compression spring mounted on rubber washer with anti-vibration damper on top
- Reduces acoustic bridging in ceiling-mounted machine installations
- Suitable for mounting ducted units, heat recovery unit and circular air ducts
- Pack in a set of 4 pcs.



## DIMENSIONS

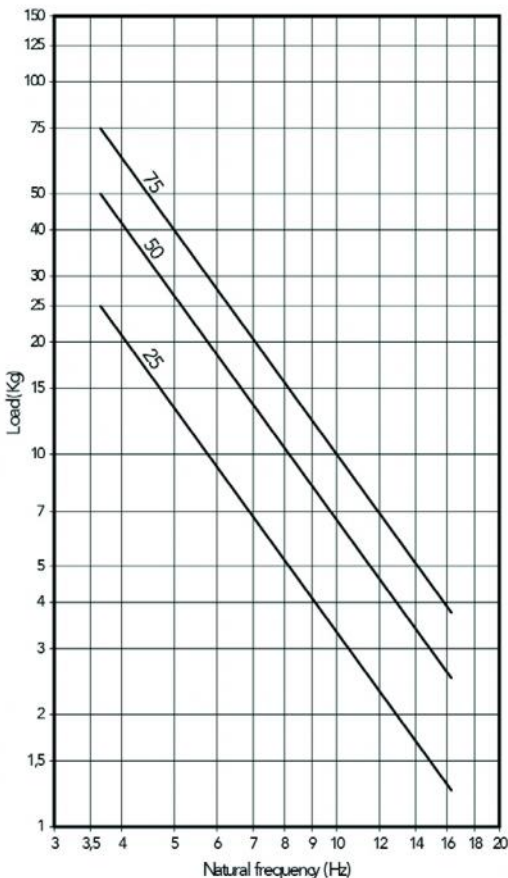
CODE	A [mm]	B [mm]	C [mm]	D [mm]	Ø 1 [mm]	Ø 2 [mm]
SCC500035	80	120	60	50	M8	12
SCC500033	80	120	60	50	M8	12
SCC500034	80	120	60	50	M8	12

## TECHNICAL DATA

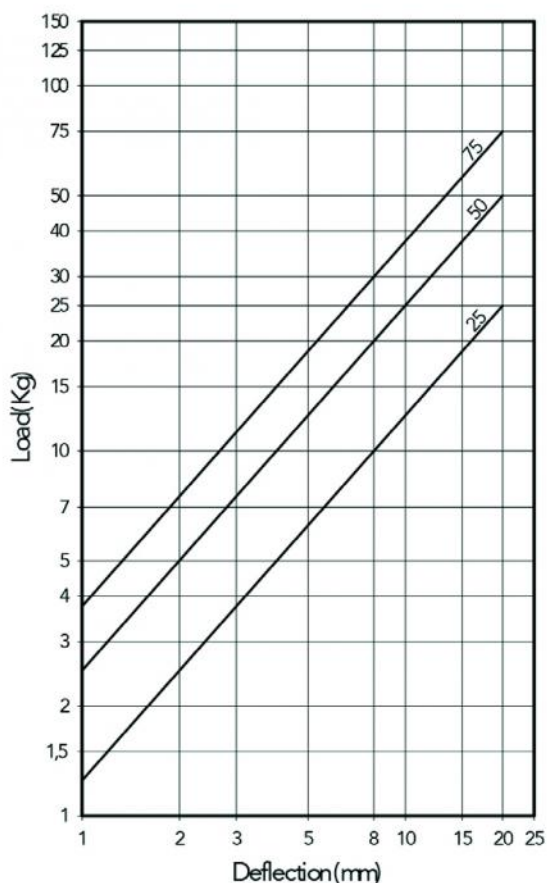
CODE	MAX. CAPACITY [kg/pz]
SCC500035	25
SCC500033	50
SCC500034	75

**ELASTIC PROPERTIES:**

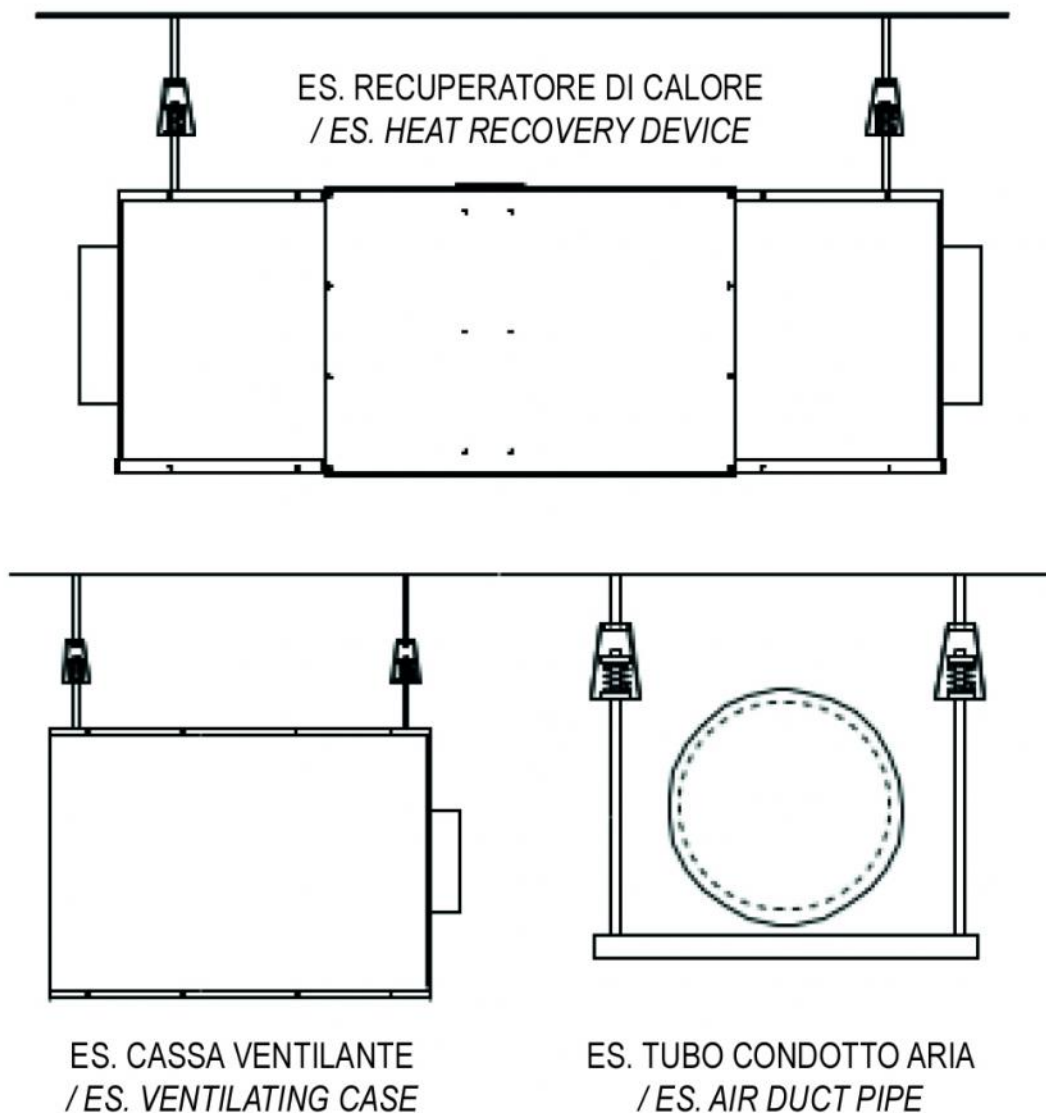
Frequenza naturale / Natural frequency (Hz)



Deflessione sotto carico / Deflection (mm)



**EXAMPLE OF INSTALLATION:**



**ITEMS**

CODE	DESCRIPTION
SCC500035	ANTI-VIBRATION SPRING FOR SUSPENDED UNITS - 25 KG
SCC500033	ANTI-VIBRATION SPRING FOR SUSPENDED UNITS - 50 KG
SCC500034	ANTI-VIBRATION SPRING FOR SUSPENDED UNITS - 75 KG

All rights relating to this publication are the exclusive property of Tecnosystemi SpA.  
Tecnosystemi SpA reserves the right to make changes at any time and without notice, for technical or commercial needs.