

# EOLO

custom insulated plenum for units ducted in sintered expanded polystyrene



## DESCRIPTION

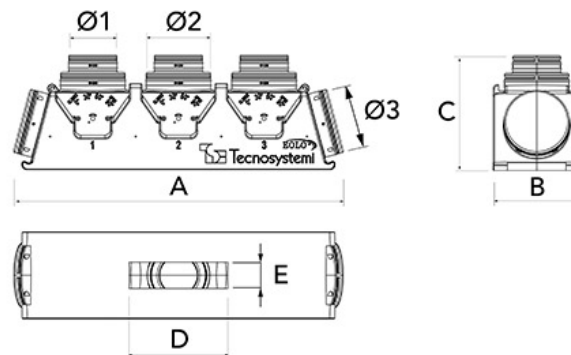
Sintered polystyrene foam plenum model for Ø 200/150 collars

## TECHNICAL SPECIFICATIONS:

- Made of sintered expanded polystyrene
- Thermal conductivity: 0.030 / 0.033 W/mK with respect to the EN 12667 / EN 12939 standard

- Resistance to vapour 40 / 70  $\mu$  in relation to EN 12086
- Operating temperature - 30° / + 90°
- Water absorption % volume in relation to EN 12087
- Reaction to fire class E according to EN- ISO - 11925 - 2
- Thermal performance thickness 30 mm 0.95 m<sup>2</sup>K/W
- Made of graphite-infused EPS material
- Collars integrated into plenum
- Total depth including collar 350 mm
- Machine fastening flange included
- Front collars 150/200mm
- Side collars 200mm

## DIMENSIONS



MODEL	WIDTH A [mm]	HEIGHT B [mm]	DEPTH C [mm]	MAX TEMPLATE HOLE WIDTH [mm]	MAX. HEIGHT OF TEMPLATE HOLE E [mm]	FRONT COLLAR INCLUDED No. Ø 1 [mm]	FRONT COLLAR INCLUDED No. Ø 2 [mm]	SIDE COLLAR INCLUDED N° Ø 3 [mm]
EOLO 2-WAY	741	244	348	up to 550	up to 215	No. 2 Ø 150	N°2 Ø 200	No. 2 Ø 200
EOLO 3-WAY	1000	264	348	up to 800	up to 215	No.3 Ø 150	No.3 Ø 200	N°2 Ø 200
EOLO 4-WAY	1261	284	348	up to 1060	up to 235	No.4 Ø 150	No.4 Ø 200	N°2 Ø 200
EOLO 5-WAY	1520	304	348	up to 1300	up to 245	No.4 Ø 150	No.5 Ø 200	N°2 Ø 200

All rights relating to this publication are the exclusive property of Tecnosystemi SpA. Tecnosystemi SpA reserves the right to make changes at any time and without notice, for technical or commercial needs.