

# MGFO

## Flexible sleeve for Optima duct

- cod. SCD100590 - cod. SCD100591 - cod. SCD100592  
- cod. SCD100593 - cod. SCD100594 - cod. SCD100595

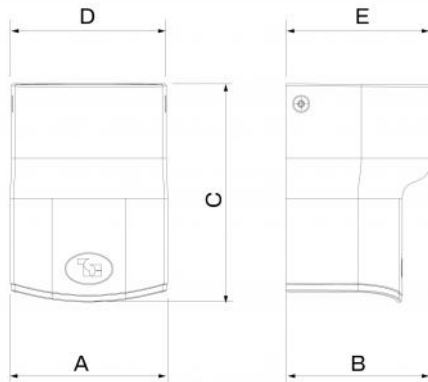


## DESCRIPTION

The sleeve is made of PVC and can be used with 60 or 80 mm flexible hose.

The sleeve is made with a transverse opening so that it can be installed when the connection pipes to the external units are already connected, in order to cover damaged pipes at the level of the external insulating sheath.

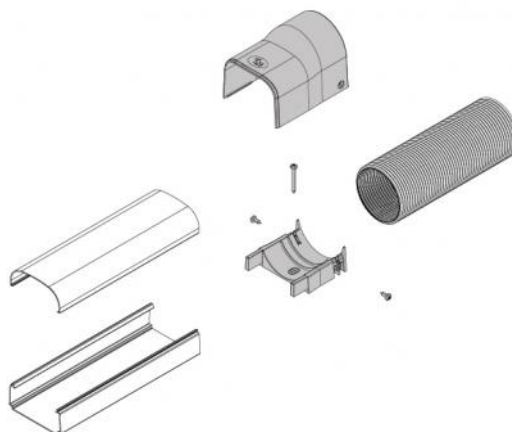
The sleeve allows OPTIMA ducts and flexible hose to be connected to each other.



## DIMENSIONS

CODE	MODEL	A [mm]	B [mm]	C [mm]	D [mm]	E [mm]
SCD100590	MGFO 60 WHITE	78	58	108	77	72
SCD100591	MGFO 60 BLACK	78	58	108	77	72
SCD100592	MGFO 60 GREY	78	58	108	77	72
SCD100593	MGFO 80 WHITE	102	71	116	102	95
SCD100594	MGFO 80 BLACK	102	71	116	102	95
SCD100595	MGFO 80 GREY	102	71	116	102	95

## EXAMPLE OF INSTALLATION:



## ITEMS

CODE	DESCRIPTION
SCD100590	MGF - CONNECTION SLEEVE FOR OPTIMA MGF 75-OPT PVC WHITE
SCD100591	MGF - CONNECTION SLEEVE FOR OPTIMA MGF 75-OPT PVC BLACK
SCD100592	MGF - CONNECTION SLEEVE FOR OPTIMA MGF 75-OPT PVC GREY
SCD100593	MGF - CONNECTION SLEEVE FOR OPTIMA MGF 102-OPT PVC WHITE
SCD100594	MGF - CONNECTION SLEEVE FOR OPTIMA MGF 102-OPT PVC BLACK
SCD100595	MGF - CONNECTION SLEEVE FOR OPTIMA MGF 102-OPT PVC GREY

All rights relating to this publication are the exclusive property of Tecnosystemi SpA.  
Tecnosystemi SpA reserves the right to make changes at any time and without notice, for technical or commercial needs.

