

# OPTIMA TM

## wall-mounted terminal

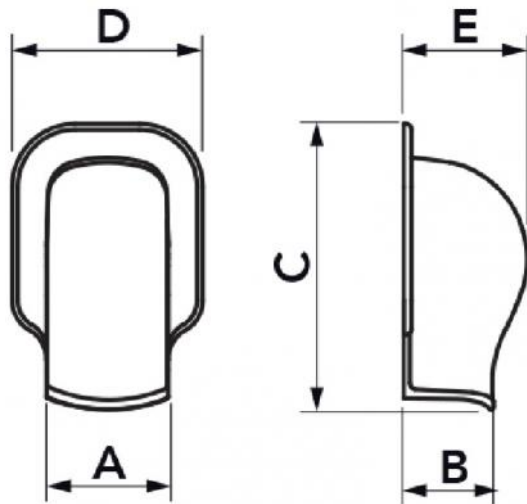
- cod. SCD100144 - cod. 11106001 - cod. 11106002
- cod. 11106003 - cod. SCD100112 - cod. SCD100415
- cod. SCD100417 - cod. SCD100418 - cod. SCD100372
- cod. SCD100373 - cod. SCD100374 - cod. SCD100415BOX



## TECHNICAL SPECIFICATIONS:

- High impact resistance plastic, recyclable
- Innovative design
- Ultra-fast interlocking fastening system
- Large outer flange
- Hole covers
- 3 pre-slots for drain pipe
- 3 pre-drilled holes for wall mounting
- Extremely high outer finish
- Heat shrink barcode packaging
- Paintable
- Operating temperature -20°C / + 60°C

**MODELS AVAILABLE:**

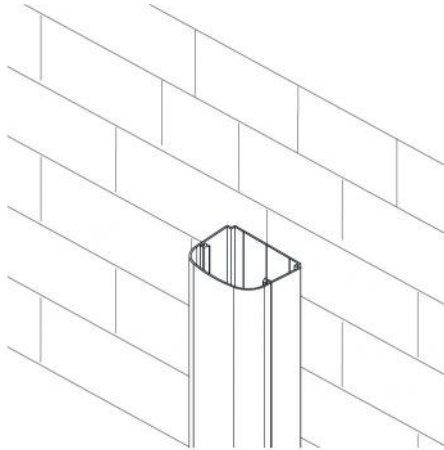


**DIMENSIONS**

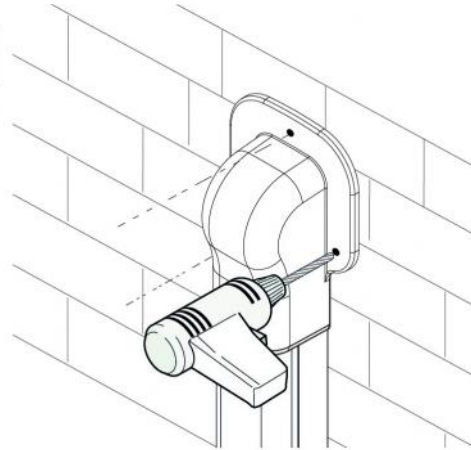
CODE	MODEL	A [mm]	B [mm]	C [mm]	D [mm]	E [mm]
SCD100144	TM 35 - OPT W	35	28	77	56	32
11106001	TM 62 - OPT W	66	48	155	95	60
11106002	TM 75 - OPT W	78	58	170	110	74
11106003	TM 102 - OPT W	104	68	200	135	85
SCD100112	TM 135 - OPT W	140	85	237	175	100
SCD100415	TM 75 - OPT G	78	58	170	110	74
SCD100417	TM 102 - OPT G	104	68	200	135	85
SCD100418	TM 135 - OPT G	140	85	237	175	100
SCD100372	TM 75 - OPT B	78	58	170	110	74
SCD100373	TM 102 - OPT B	104	68	200	135	85
SCD100374	TM 135 - OPT B	140	85	237	175	100

## EXAMPLE OF FIXING WITH SCREWS

1

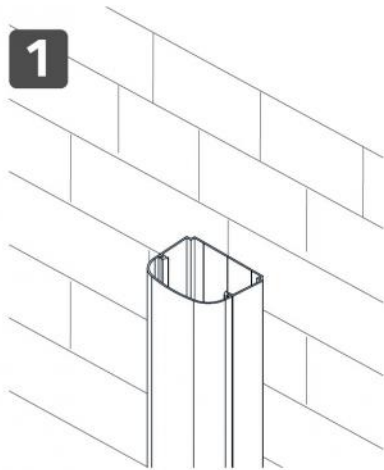


2

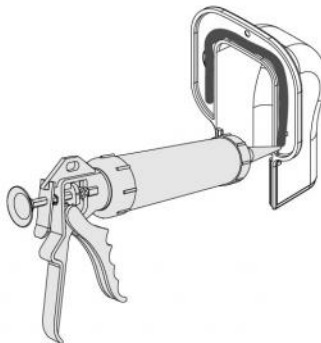


## EXAMPLE OF FIXING WITH SILICONE AND SCREWS

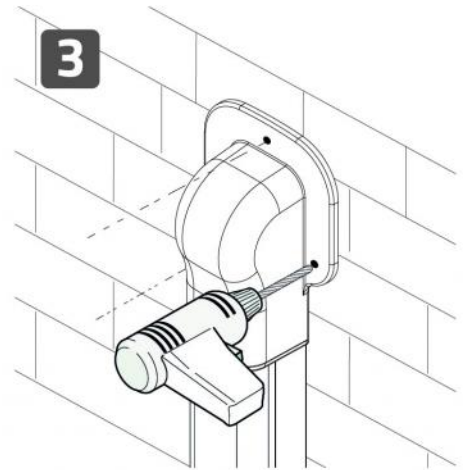
1



2



3



## ITEMS

CODE	DESCRIPTION
SCD100144	TM35-OPT - "OPTIMA TM" LINE WALL COVER
11106001	TM62 -OPT - "OPTIMA TM" LINE WALL COVER
11106002	TM75- OPT - "OPTIMA TM" LINE WALL COVER
11106003	TM102 -OPT - "OPTIMA TM" LINE WALL COVER
SCD100112	TM135 -OPT - "OPTIMA TM" LINE WALL COVER
SCD100415	"OPTIMA TM" LINE WALL COVER - ANTHRACITE GREY
SCD100417	"OPTIMA TM" LINE WALL COVER - ANTHRACITE GREY
SCD100418	"OPTIMA TM" LINE WALL COVER - ANTHRACITE GREY
SCD100372	"OPTIMA TM" LINE WALL COVER - BLACK - TM75- OPT
SCD100373	"OPTIMA TM" LINE WALL COVER - BLACK - TM102 -OPT
SCD100374	"OPTIMA TM" LINE WALL COVER - BLACK - TM135 -OPT
SCD100415BOX	"OPTIMA TM" LINE WALL COVER - GREY - TM75- OPT - CUSTOMIZED BOX (BOX 60 pcs)

All rights relating to this publication are the exclusive property of Tecnosystemi SpA.  
Tecnosystemi SpA reserves the right to make changes at any time and without notice, for technical or commercial needs.

