

OPTIMA TMQ CLEAN

flanged square wall-mounted terminal CLEAN

- cod. SCD100628 - cod. SCD100629 - cod. SCD100630
- cod. SCD100631



DESCRIPTION

Wall terminal with square flange for ducts in the OPTIMA series in recycled knock-proof and anti-UVA rigid PVC. The terminal was designed with a quick and easy slot-in fixing system. The wall terminal has a large external flange with an innovative square shape, pre-cut slots for the discharge pipe outfeed and 3 pre-cut holes for wall fixing if required. The PVC characteristics ensure use at temperatures from -20°C to +60°C.

APPLICATIONS

Conditioning systems.
Wall installation both indoors and outdoors.

AVAILABLE MODELS



WHITE

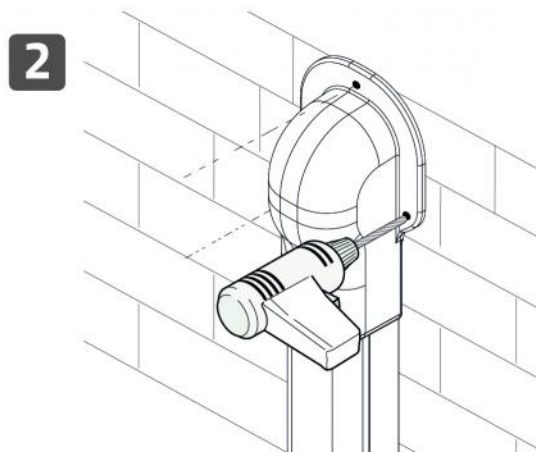
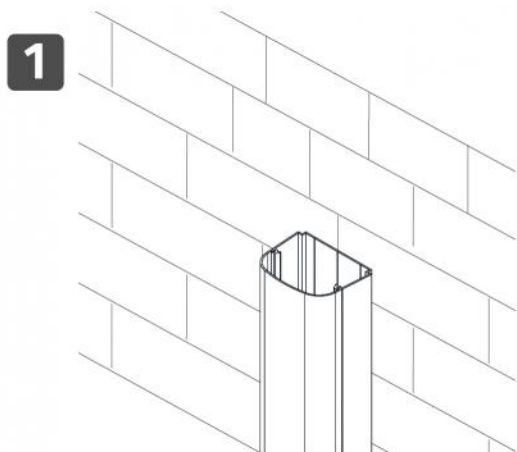
DIMENSIONS

CODE	MODEL	A [mm]	B [mm]	C [mm]	D [mm]	E [mm]
SCD100628	TMQ OPT 62 CLEAN	63	46	166	99	63
SCD100629	TMQ OPT 75 CLEAN	77	58	193	113	75
SCD100630	TMQ OPT 102 CLEAN	100	69	222	140	85
SCD100631	TMQ OPT 135 CLEAN	135	84	262	181	100

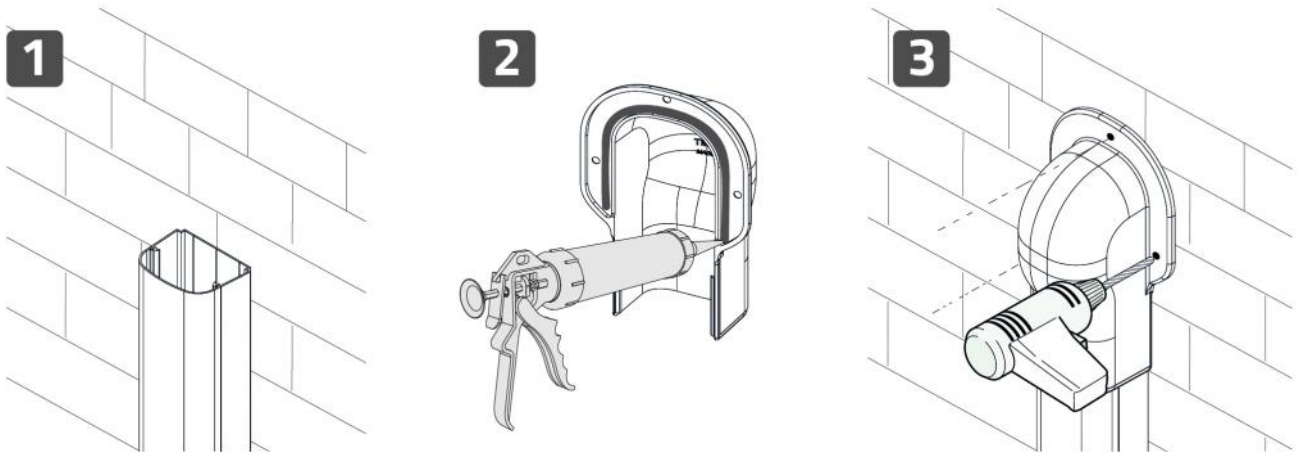
TECHNICAL SPECIFICATIONS OF MATERIAL

	METHOD	U.M.	VALUE
Density	ISO 1183	g/cm ³	1.35÷1.70
Vicat	ISO 306	°C	≥72
Flow index	ISO 1133	g/10 min	≥5
Ultimate tensile strength	ISO 572	MPa	≥20
Yield strength	ISO 572	MPa	≥20
Modulus of elasticity	ISO 572	MPa	≥2000
Flexural modulus of elasticity	ISO 178A	MPa	≥2000
Flame resistance	UL 94		V0

EXAMPLE OF FIXING WITH SCREWS



EXAMPLE OF FIXING WITH SILICONE AND SCREWS



ITEMS

CODE	DESCRIPTION
SCD100628	
SCD100629	
SCD100630	
SCD100631	

All rights relating to this publication are the exclusive property of Tecnosystemi SpA.
 Tecnosystemi SpA reserves the right to make changes at any time and without notice, for technical or commercial needs.