

OPTIMA TMQ

flanged square wall terminal

- cod. SCD100248 - cod. SCD100249 - cod. SCD100250
- cod. SCD100251 - cod. SCD100256 - cod. SCD100257
- cod. SCD100258 - cod. SCD100259 - cod. SCD100269
- cod. SCD100270 - cod. SCD100271 - cod. SCD100272



DESCRIPTION

Flanged square wall-mounted terminal for ducts of the OPTIMA series, in high impact resistance plastic, recyclable. The terminal was designed with a quick and easy slot-in fixing system. The wall terminal has a large external flange with an innovative square shape, pre-cut slots for the discharge pipe outfeed and 3 pre-cut holes for wall fixing if required. The PVC characteristics ensure use at temperatures from -20°C to +60°C.

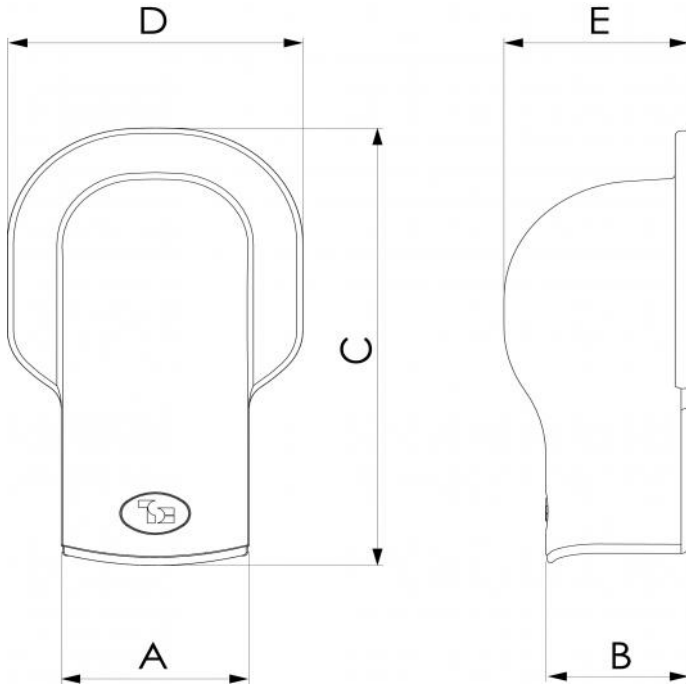
APPLICATIONS

Conditioning systems.
Wall installation both indoors and outdoors.

AVAILABLE MODELS



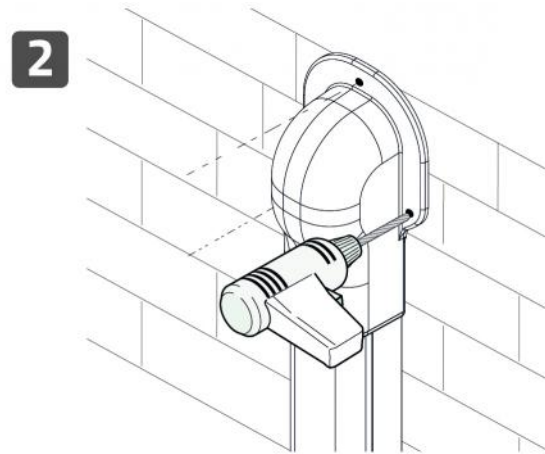
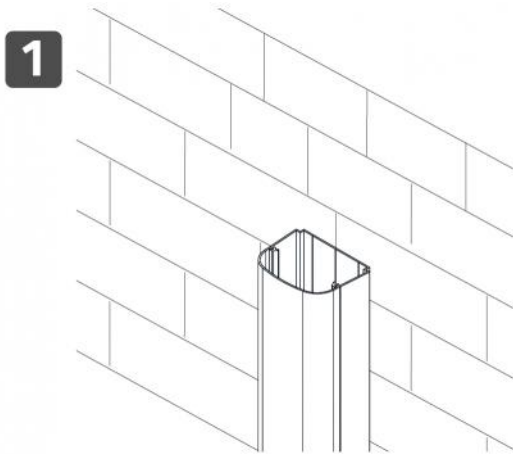
WHITE



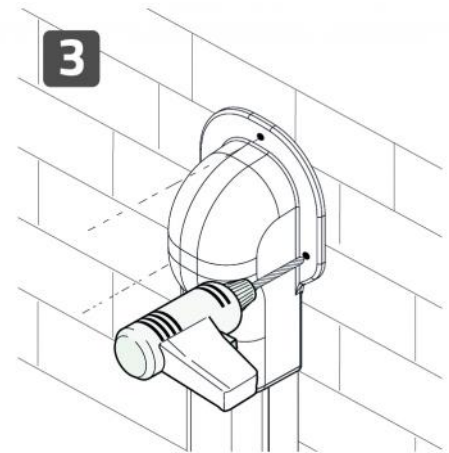
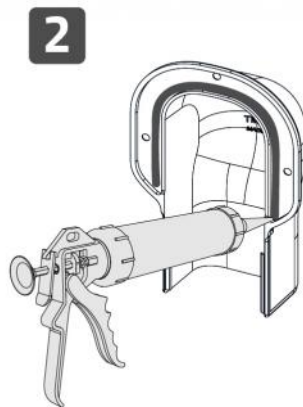
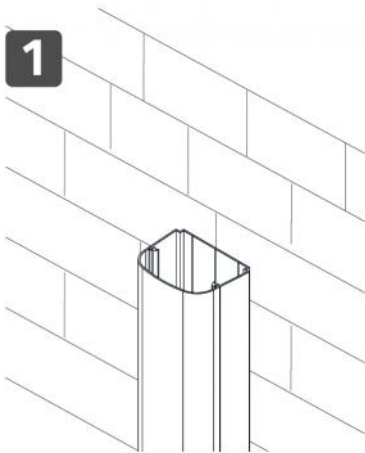
DIMENSIONS

CODE	MODEL	A [mm]	B [mm]	C [mm]	D [mm]	E [mm]
SCD100248	TMQ OPT 62 W	63	46	166	99	63
SCD100249	TMQ OPT 75 W	77	58	193	113	75
SCD100250	TMQ OPT 102 W	100	69	222	140	85
SCD100251	TMQ OPT 135 W	135	84	262	181	100
SCD100256	TMQ OPT 62 G	63	46	166	99	63
SCD100257	TMQ OPT 75 G	77	58	193	113	75
SCD100258	TMQ OPT 102 G	100	69	222	140	85
SCD100259	TMQ OPT 135 G	135	84	262	181	100
SCD100269	TMQ OPT 62 B	63	46	166	99	63
SCD100270	TMQ OPT 75 B	77	58	193	113	75
SCD100271	TMQ OPT 102 B	100	69	222	140	85
SCD100272	TMQ OPT 135 B	135	84	262	181	100

EXAMPLE OF FIXING WITH SCREWS



EXAMPLE OF FIXING WITH SILICONE AND SCREWS



ITEMS

CODE	DESCRIPTION
SCD100248	OPTIMA TMQ SQUARE WALL COVER - WHITE
SCD100249	OPTIMA TMQ SQUARE WALL COVER - WHITE
SCD100250	OPTIMA TMQ SQUARE WALL COVER - WHITE
SCD100251	OPTIMA TMQ SQUARE WALL COVER - WHITE
SCD100256	
SCD100257	OPTIMA TMQ SQUARE WALL COVER - GREY
SCD100258	OPTIMA TMQ SQUARE WALL COVER - GREY
SCD100259	OPTIMA TMQ SQUARE WALL COVER - GREY
SCD100269	
SCD100270	OPTIMA TMQ SQUARE WALL COVER - BLACK
SCD100271	OPTIMA TMQ SQUARE WALL COVER - BLACK
SCD100272	OPTIMA TMQ SQUARE WALL COVER - BLACK

All rights relating to this publication are the exclusive property of Tecnosystemi SpA.
 Tecnosystemi SpA reserves the right to make changes at any time and without notice, for technical or commercial needs.

