

OPTIMA TS

pipe output terminal

- cod. 11106035 - cod. 11106036 - cod. 11106037
- cod. SCD100440 - cod. SCD100441 - cod. SCD100393
- cod. SCD100394



TECHNICAL SPECIFICATIONS:

- High impact resistance plastic, recyclable
- Innovative design
- Ultra-fast interlocking fastening system
- Extremely high outer finish
- Heat shrink barcode packaging
- Paintable
- Operating temperature -20°C / +60°C

MODELS AVAILABLE:



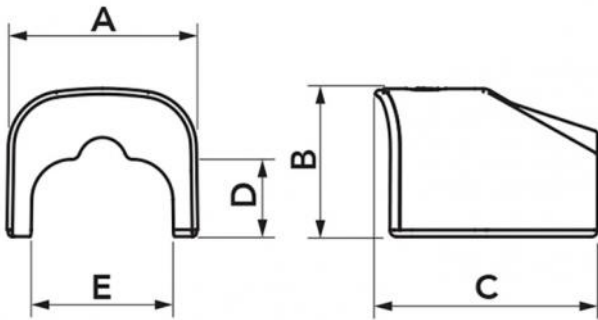
WHITE



ANTHRACITE
GREY



BLACK



DIMENSIONS

CODE	MODEL	A [mm]	B [mm]	C [mm]	D [mm]	E [mm]
11106035	TS 62 - OPT W	66	48	76	30	50
11106036	TS 75 - OPT W	78	58	90	30	56
11106037	TS 102 - OPT W	104	68	110	40	72
SCD100440	TS 75 - OPT G	78	58	90	30	56
SCD100441	TS 102 - OPT G	104	68	110	40	72
SCD100393	TS 75 - OPT B	78	58	90	30	56
SCD100394	TS 102 - OPT B	104	68	110	40	72

ITEMS

CODE	DESCRIPTION
11106035	TS62-OPT - "OPTIMA TS" LINE PIPE OUTLET END FITTING
11106036	TS75-OPT - "OPTIMA TS" LINE PIPE OUTLET END FITTING
11106037	TS102-OPT - "OPTIMA TS" LINE PIPE OUTLET END FITTING
SCD100440	"OPTIMA TS" LINE PIPE OUTLET END FITTING - ANTHRACITE GREY
SCD100441	"OPTIMA TS" LINE PIPE OUTLET END FITTING - ANTHRACITE GREY
SCD100393	"OPTIMA TS" LINE PIPE OUTLET END FITTING - BLACK - TS75-OPT
SCD100394	"OPTIMA TS" LINE PIPE OUTLET END FITTING - BLACK - TS102-OPT

All rights relating to this publication are the exclusive property of Tecnosystemi SpA.
 Tecnosystemi SpA reserves the right to make changes at any time and without notice, for technical or commercial needs.