

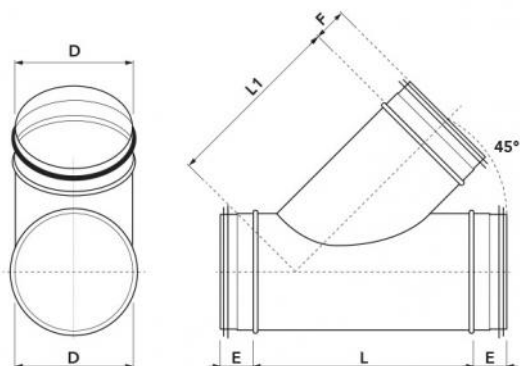
## 45° symmetrical shunt

- cod. PWC500045 - cod. PWC500046 - cod. PWC500047  
- cod. PWC500048 - cod. PWC500049 - cod. PWC500050  
- cod. PWC500051 - cod. PWC500052 - cod. PWC500053  
- cod. PWC500054



### TECHNICAL SPECIFICATIONS:

- Made of galvanized steel
- With double lip EPDM gasket



## DIMENSIONS

CODE	D [mm]	E [mm]	F [mm]	L [mm]	L1 [mm]	WEIGHT [kg]
PWC500045	80	36	36	185	165	0,40
PWC500046	100	36	36	210	200	0,50
PWC500047	125	36	36	250	245	0,70
PWC500048	155	36	36	300	305	1,00
PWC500049	195	36	36	355	370	1,40
PWC500050	250	36		480	455	2,30
PWC500051	300	36		540	545	3,10
PWC500052	315	55	55	530	570	3,30
PWC500053	340	55		585	6,35	4,80
PWC500054	400	55		650	715	6,30

## ITEMS

CODE	DESCRIPTION
PWC500045	SIMMETRIC BRANCH 45° Ø 80
PWC500046	SIMMETRIC BRANCH 45° Ø 100
PWC500047	SIMMETRIC BRANCH 45° Ø 125
PWC500048	SIMMETRIC BRANCH 45° Ø 160
PWC500049	SIMMETRIC BRANCH 45° Ø 200
PWC500050	SIMMETRIC BRANCH 45° Ø 250
PWC500051	SIMMETRIC BRANCH 45° Ø 300
PWC500052	SIMMETRIC BRANCH 45° Ø 315
PWC500053	SIMMETRIC BRANCH 45° Ø 355
PWC500054	SIMMETRIC BRANCH 45° Ø 400

All rights relating to this publication are the exclusive property of Tecnosystemi SpA.  
 Tecnosystemi SpA reserves the right to make changes at any time and without notice, for technical or commercial needs.