

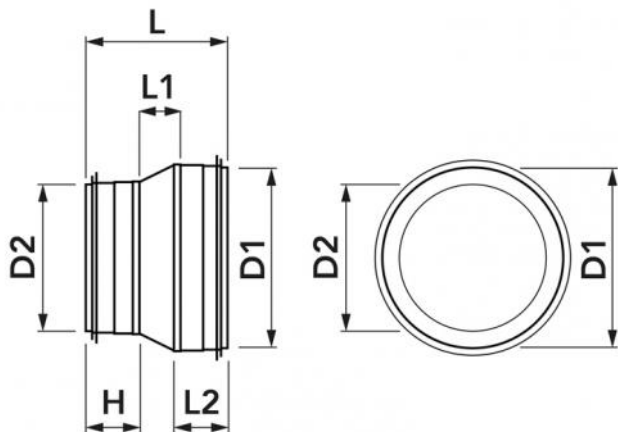
Reduction male sleeve

- cod. 31500490 - cod. 31500500 - cod. 31500510
- cod. 31500520 - cod. 31500530 - cod. 31500540
- cod. 31500550 - cod. 31500552 - cod. 31500560
- cod. 31500562 - cod. PWC500044 - cod. 31500564
- cod. 31500566



TECHNICAL SPECIFICATIONS:

- Made of galvanized steel
- With double lip EPDM gasket



DIMENSIONS

| CODE | D1 [mm] | D2 [mm] | L [mm] | H [mm] | L1 [mm] | L2 [mm] | WEIGHT [kg] |
|-----------|---------|---------|--------|--------|---------|---------|-------------|
| 31500490 | 100 | 80 | 110 | 40 | 18 | 55 | 0,20 |
| 31500500 | 125 | 80 | 130 | 40 | 45 | 35 | 0,20 |
| 31500510 | 125 | 100 | 92 | 35 | 22 | 35 | 0,20 |
| 31500520 | 160 | 100 | 120 | 40 | 45 | | 0,30 |
| 31500530 | 160 | 125 | 95 | 35 | 26 | 35 | 0,20 |
| 31500540 | 200 | 100 | 135 | 40 | 58 | 35 | 0,40 |
| 31500550 | 200 | 120 | 125 | 40 | 45 | 40 | 0,30 |
| 31500552 | 200 | 160 | 100 | 40 | 26 | 35 | 0,30 |
| 31500560 | 250 | 200 | 110 | 40 | 31 | 35 | 0,60 |
| 31500562 | 300 | 250 | 132 | 45 | 30 | 55 | 0,60 |
| PWC500044 | 315 | 300 | 195 | 65 | | 60 | 0,70 |
| 31500564 | 355 | 300 | 190 | 60 | 95 | 35 | 0,91 |
| 31500566 | 400 | 355 | 195 | 60 | 80 | 55 | 1,20 |

ITEMS

| CODE | DESCRIPTION |
|-----------|--|
| 31500490 | MALE REDUCTION CONNECTION SLEEVE Ø 100-80 |
| 31500500 | MALE REDUCTION CONNECTION SLEEVE Ø 125-80 |
| 31500510 | MALE REDUCTION CONNECTION SLEEVE Ø 125-100 |
| 31500520 | MALE REDUCTION CONNECTION SLEEVE Ø 160-100 |
| 31500530 | MALE REDUCTION CONNECTION SLEEVE Ø 160-125 |
| 31500540 | MALE REDUCTION CONNECTION SLEEVE Ø 200-100 |
| 31500550 | MALE REDUCTION CONNECTION SLEEVE Ø 200-125 |
| 31500552 | MALE REDUCTION CONNECTION SLEEVE Ø 200-160 |
| 31500560 | MALE REDUCTION CONNECTION SLEEVE Ø 250-200 |
| 31500562 | MALE REDUCTION CONNECTION SLEEVE Ø 300-250 |
| PWC500044 | REDUCTION MALE SLEEVE Ø315-300 |
| 31500564 | MALE REDUCTION CONNECTION SLEEVE Ø 355-300 |
| 31500566 | MALE REDUCTION CONNECTION SLEEVE Ø 400-355 |

All rights relating to this publication are the exclusive property of Tecnosystemi SpA.
 Tecnosystemi SpA reserves the right to make changes at any time and without notice, for technical or commercial needs.