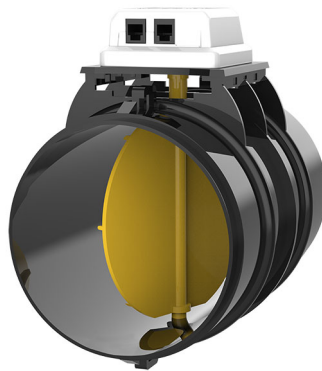


ALTAIR POINT

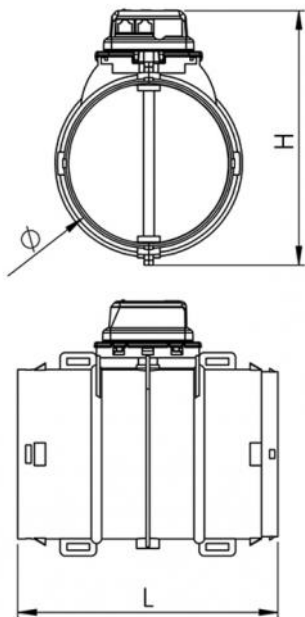
motorised circular damper kit

- cod. 11181551 - cod. 11181556 - cod. 11181561
- cod. 11181566 - cod. 11181571



TECHNICAL SPECIFICATIONS:

- Removable motor that can be positioned at: 0° - 90° - 180° 270° - 360°
- Made of anti-condensate plastic material
- Ensures thermal insulation between the inner and outer surfaces



DIMENSIONS

CODE	Ø COUPLER [mm]	H [mm]	LENGTH [mm]
11181551	100	230	360
11181556	150	230	
11181561	200	280	250
11181566	250	330	280
11181571	300	380	350

TECHNICAL DATA

MAX AIR FLOW [m³/h]	
152	
388	
678	
1060	
1526	

FUNCTIONS

- Communicates directly with the system control unit
- The dampers connect to each other by means of the cascading system
- The connection cable used is of the 8-wire telephone type with RJ45 plug connection
- Appropriately configured using the “Polaris 4X” and “Polaris 5X” control units, the damper can take on the function of a motorised circular bypass.

ATTENTION!

Use only Tecnosystemi cables - do not use cables other than those indicated in order not to compromise the correct functioning of the system.

There must always be an inspection hatch to access the control unit and the dampers.

Always install the dampers with the motor facing downwards.

ITEMS

CODE	DESCRIPTION
11181551	ELECTRIC ROUND DAMPER KIT FOR "PRO AIR POINT" SYSTEM Ø 100
11181556	ELECTRIC ROUND DAMPER KIT FOR "PRO AIR POINT" SYSTEM Ø 150
11181561	ELECTRIC ROUND DAMPER KIT FOR "PRO AIR POINT" SYSTEM Ø 200
11181566	ELECTRIC ROUND DAMPER KIT FOR "PRO AIR POINT" SYSTEM Ø 250
11181571	ELECTRIC ROUND DAMPER KIT FOR "PRO AIR POINT" SYSTEM Ø 300

All rights relating to this publication are the exclusive property of Tecnosystemi SpA.
 Tecnosystemi SpA reserves the right to make changes at any time and without notice, for technical or commercial needs.