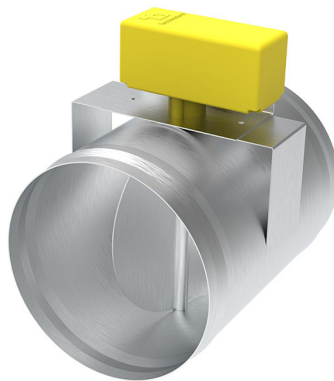


# SIRIO POINT

motorised butterfly damper for point system

- cod. 11161854 - cod. 11161855 - cod. 11161856  
- cod. 11161857 - cod. C11161863



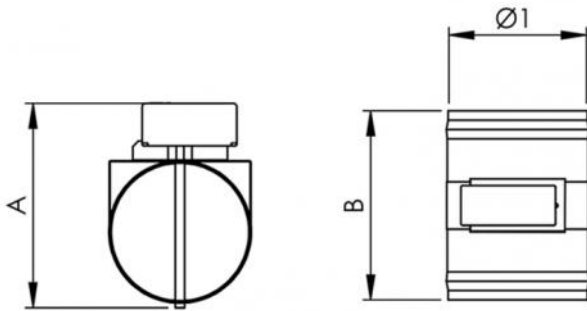
## DESCRIPTION

The “Sirio” throttle dampers have an end-of-stroke micro contact, which indicates the opening and closing position of the throttle with a clean ON/OFF contact.

It integrates perfectly into new and existing ducted systems in which it is intended to manage only a part of the ducted system.

## TECHNICAL SPECIFICATIONS:

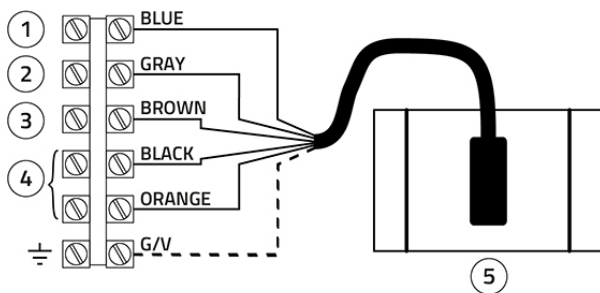
- Made from galvanised metal
- Butterfly opening from 0 to 90°
- Operating temperature 0°C to +70°C
- Includes motor (220 V power supply)
- Option of management by means of: wall/built-in regulator, with deflector, with thermostats.



## DIMENSIONS

CODE	A [mm]	B [mm]	Ø1 [mm]
11161854	190	154	120
11161855	220	154	150
11161856	270	154	200
11161857	320	154	250

## WIRING CONNECTION DIAGRAM



- [1] N - Common
- [2] F - 230 VAC Close
- [3] F- 230 VAC Close
- [4] Output contact clean
- [5] Damper

## ITEMS

CODE	DESCRIPTION
11161854	ELECTRIC BUTTERFLY DAMPER FOR 230 V POINT-TO-POINT SYSTEM Ø 120
11161855	ELECTRIC BUTTERFLY DAMPER FOR 230 V POINT-TO-POINT SYSTEM Ø 150
11161856	ELECTRIC BUTTERFLY DAMPER FOR 230 V POINT-TO-POINT SYSTEM Ø 200
11161857	ELECTRIC BUTTERFLY DAMPER FOR 230 V POINT-TO-POINT SYSTEM Ø 250
C11161863	

All rights relating to this publication are the exclusive property of Tecnosystemi SpA.  
Tecnosystemi SpA reserves the right to make changes at any time and without notice, for technical or commercial needs.