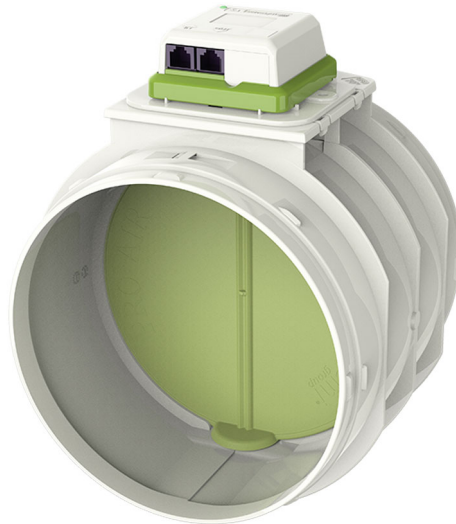


PROAIR MULTI ZONE

motorised circular damper / motorised circular by-pass for system

- cod. GAD300019 - cod. GAD300020

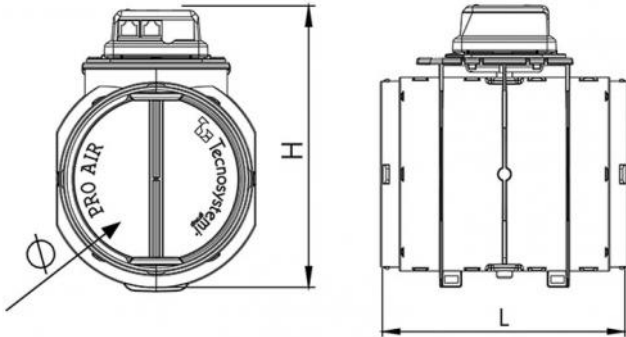


TECHNICAL SPECIFICATIONS:

- Removable motor that can be positioned at: 0° - 90° - 180° - 270° - 360°
- Made of anti-condensate plastic material
- Ensures thermal insulation between the inner and outer surfaces

FUNCTIONS

- The motorised circular dampers for the "ProAir Multizone" system integrate perfectly into new and existing ducted systems, communicating directly with the system control unit.
- The dampers connect to each other by means of the cascading system
- The connection cable used is of the 8-wire telephone type with rj45 plug connection, present in this catalogue in different sizes already with wired connector.
- Appropriately configured using the POLARIS control units, the damper can take on the function of a motorised circular bypass.
- The automatic or manual management of the damper allows the throttle to move to one of the 4 positions pre-set by the system: 0%, 33%, 66% and 100%.



DIMENSIONS

CODE	Ø COUPLER [mm]	H [mm]	L [mm]	MAX. AIR FLOW RATE [m³/h]
GAD300019	150	218	190	388
GAD300020	200	268	190	678

ITEMS

CODE	DESCRIPTION
GAD300019	MOTORISED CIRCULAR DAMPER/MOTORISED CIRCULAR BY-PASS Ø150
GAD300020	MOTORISED CIRCULAR DAMPER/MOTORISED CIRCULAR BY-PASS Ø200

All rights relating to this publication are the exclusive property of Tecnosystemi SpA.
 Tecnosystemi SpA reserves the right to make changes at any time and without notice, for technical or commercial needs.