

Screw kit screw + nut + washer

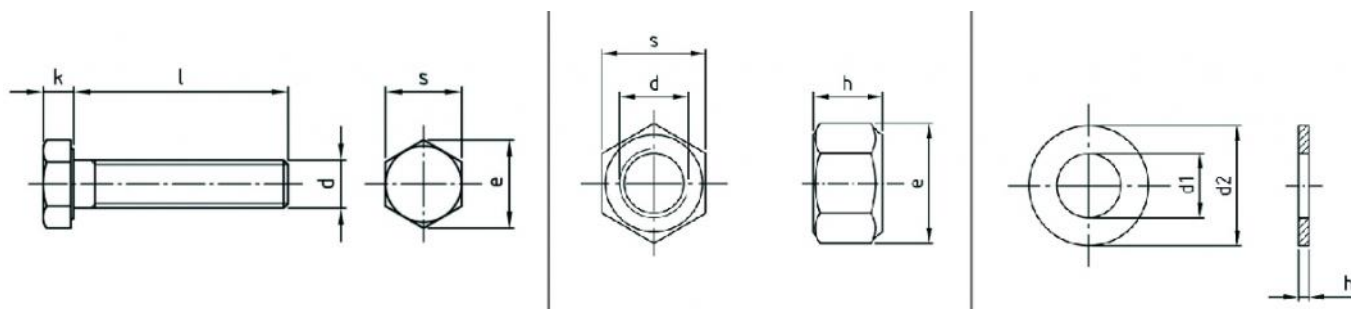
- cod. 11110881 - cod. FVD600012BOX - cod. 11110881BOX
- cod. FVD600008BOX - cod. 11110882 - cod. FVD600013BOX
- cod. 11110882BOX - cod. FVD600009BOX - cod. 11110883
- cod. FVD600014BOX - cod. 11110883BOX - cod. FVD600010BOX
- cod. 11111038 - cod. FVD600015BOX - cod. 11111038BOX
- cod. FVD600011BOX



DESCRIPTION

Hardware kit consisting of A2 stainless steel screw, nut and washer.

DIMENSIONS



TECHNICAL CHARACTERISTICS SCREW

	DATA			
	FVD600012BOX	FVD600013BOX	FVD600014BOX	FVD600015BOX
	11110881BOX	11110882BOX	11110883BOX	11111038BOX
Material:	STAINLESS steel A2			
Diameter (d) [mm]:	8			
Length (l) [mm]	10	20	25	35
Head height (k) [mm]	5.3			
Reference Measurement (e) [mm]	14.38			
Thread type:	metrics			
Head shape:	hexagonal			
Tensile strength [N/mm ²]	700			

TECHNICAL CHARACTERISTICS NUT

SPECIFICATIONS	DATA			
	FVD600012BOX	FVD600013BOX	FVD600014BOX	FVD600015BOX
	11110881BOX	11110882BOX	11110883BOX	11111038BOX
Material:	STAINLESS steel A2			
Diameter (d) [mm]:	8			
Thread type:	fine pitch thread			
Reference Measurement (e) [mm]	14.38			
Height (h) [mm]	8			
Tensile strength [N/mm ²]	700			

TECHNICAL CHARACTERISTICS WASHER

SPECIFICATIONS	DATA			
	FVD600012BOX	FVD600013BOX	FVD600014BOX	FVD600015BOX
	11110881BOX	11110882BOX	11110883BOX	11111038BOX
Material:	STAINLESS steel A2			
Internal diameter (d1) [mm]:	8.4			
External diameter (d2) [mm]:	16			
Nominal height (h) [mm]	1.6			
Hardness [Hv]	200			

ITEMS

CODE	DESCRIPTION
11110881	SCREW KIT: SCREW M8X10 + NUT + WASHER
FVD600012BOX	
11110881BOX	SCREW KIT: SCREW M8X10 + NUT + WASHER - BOX 100 pcs
FVD600008BOX	
11110882	SCREW KIT: SCREW M8X20 + NUT + WASHER
FVD600013BOX	
11110882BOX	SCREW KIT: SCREW M8X20 + NUT + WASHER - BOX 100 pcs
FVD600009BOX	
11110883	SCREW KIT: SCREW M8X25 + NUT + WASHER
FVD600014BOX	
11110883BOX	SCREW KIT: SCREW M8X25 + NUT + WASHER - BOX 1000 pcs
FVD600010BOX	
11111038	KIT: M8X35 SCREW KIT + NUT + WASHER
FVD600015BOX	
11111038BOX	KIT: M8X35 SCREW KIT + NUT + WASHER - BOX 100 pcs
FVD600011BOX	

All rights relating to this publication are the exclusive property of Tecnosystemi SpA. Tecnosystemi SpA reserves the right to make changes at any time and without notice, for technical or commercial needs.

All rights relating to this publication are the exclusive property of Tecnosystemi SpA.

Tecnosystemi SpA reserves the right to make changes at any time and without notice, for technical or commercial needs.