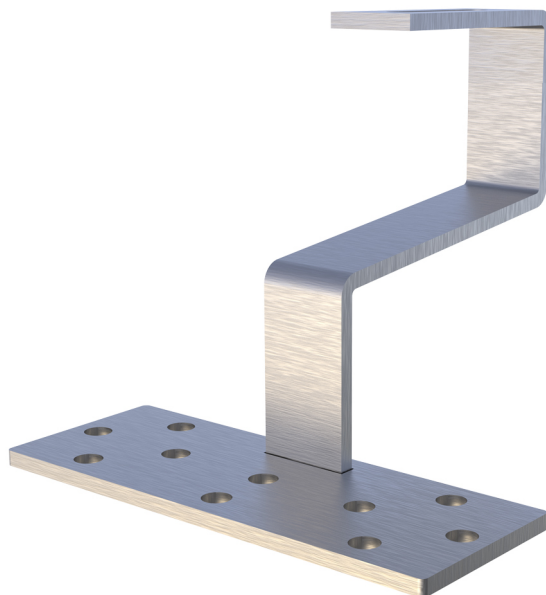


# HSTT 175/45-115

STL 160-140R supports for fixing to tiles on roofs

- cod. 11110703 - cod. 11110703BOX - cod. 11110703Z
- cod. 11110703ZBOX



## TECHNICAL SPECIFICATIONS:

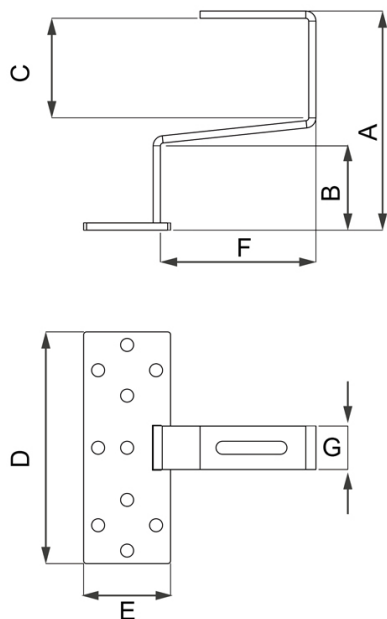
MATERIAL: AISI 304 stainless steel

- Flexural modulus of elasticity: 196000 N/mm<sup>2</sup>
- Tensile breaking load: 515 N/mm<sup>2</sup>

MATERIAL: galvanized steel

- Tensile strength: 440 N/mm<sup>2</sup>
- Treatment: hot dip galvanised
- Hook dimensions: 30mm x 5mm thickness
- 10 holes Ø 9 prepared for plate fixing

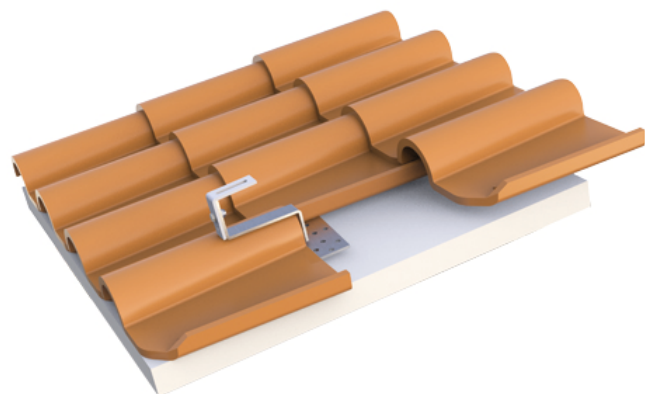
## TECHNICAL DRAWING:



## FULL SIZED:

CODE:	A [mm]	B [mm]	C [mm]	D [mm]	E [mm]	F [mm]	G [mm]
11110703	175	45	115	160	60	110	30
11110703BOX	175	45	115	160	60	110	30

## APPLICATION:



Fixing of photovoltaic systems on roofing tiles supported by strips of varying thickness.

## STAINLESS STEEL CODE

CODE	DESCRIPTION
11110703	SUPPORT FOR FIXING ON ROOFS WITH TILES HSTT 175/45-115 INOX AISI 304
11110703BOX	SUPPORT FOR FIXING ON ROOFS WITH TILES HSTT 175/45-115 INOX AISI 304 - BOX 10 pcs

## GALVANISED STEEL CODE

CODE	DESCRIPTION
11110703Z	SUPPORT FOR FIXING ON ROOFS WITH TILES HSTT 175/45-115 ZINCATO
11110703ZBOX	SUPPORT FOR FIXING ON ROOFS WITH TILES HSTT 175/45-115 GALVANIZED- BOX 10 pcs

All rights relating to this publication are the exclusive property of Tecnosystemi SpA. Tecnosystemi SpA reserves the right to make changes at any time and without notice, for technical or commercial needs.

All rights relating to this publication are the exclusive property of Tecnosystemi SpA.

Tecnosystemi SpA reserves the right to make changes at any time and without notice, for technical or commercial needs.