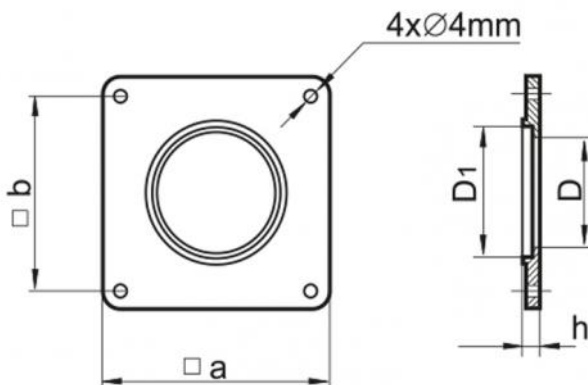


PMT 100

PVC wall plate with hole

- cod. 11161375 - cod. 11161375B - cod. 11161375C
- cod. PWC500076



DIMENSIONS

CODE	A [mm]	B [mm]	D [mm]	D1 [mm]	h [mm]
11161375	150	134	100,5	103	3
11161375B	170	154	125	127	3
11161375C	204	188	151	153	3
PWC500076	250	230	202	204	3

DESCRIPTION

White plastic wall plate (PVC).

It is designed to cover the connection of the air sleeves to the ventilation ducts.

It is equipped with four holes and the corresponding wall mounting screws.

ITEMS

CODE	DESCRIPTION
11161375	PVC WALL PLATE WITH HOLE "PMT" 100
11161375B	PVC WALL PLATE WITH HOLE "PMT" 125
11161375C	PVC WALL PLATE WITH HOLE "PMT" 150
PWC500076	

All rights relating to this publication are the exclusive property of Tecnosystemi SpA.
 Tecnosystemi SpA reserves the right to make changes at any time and without notice, for technical or commercial needs.