

# DONATELLO SD

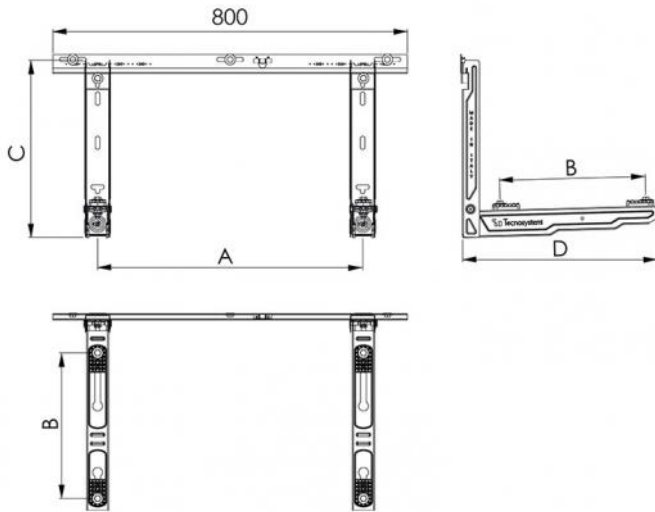
coupling bracket with graduated and sliding bar

- cod. SCD500398 - cod. SCD500400 - cod. SCD500402  
- cod. SCD500404



## TECHNICAL SPECIFICATIONS:

- Made of electro-galvanised metal sheet
- External polyester painting RAL 9002
- Graduated wall bracket with spirit level included
- Adjustable rear swivel feet
- Ready for condensate drain pan
- "NO-SHOCK" vibration dampers supplied
- Wall mounting fixing plugs
- Pre-assembled wall bracket



## DIMENSIONS

| CODE      | A [mm]  | B [mm]  | C [mm] | D [mm] | LOAD CAPACITY [kg] |
|-----------|---------|---------|--------|--------|--------------------|
| SCD500398 | 350/750 | 180/330 | 400    | 440    | 110                |
| SCD500400 | 350/750 | 230/390 | 400    | 500    | 110                |
| SCD500402 | 350/750 | 270/450 | 400    | 560    | 110                |
| SCD500404 | 350/750 | 340/540 | 400    | 650    | 100                |

## ITEMS

| CODE      | DESCRIPTION                     |
|-----------|---------------------------------|
| SCD500398 | WALL BRACKET "DONATELLO" - 440L |
| SCD500400 | WALL BRACKET "DONATELLO" - 500L |
| SCD500402 | WALL BRACKET "DONATELLO" - 560L |
| SCD500404 | WALL BRACKET "DONATELLO" - 650L |

All rights relating to this publication are the exclusive property of Tecnosystemi SpA.  
 Tecnosystemi SpA reserves the right to make changes at any time and without notice, for technical or commercial needs.