

MICHELANGELO - SM

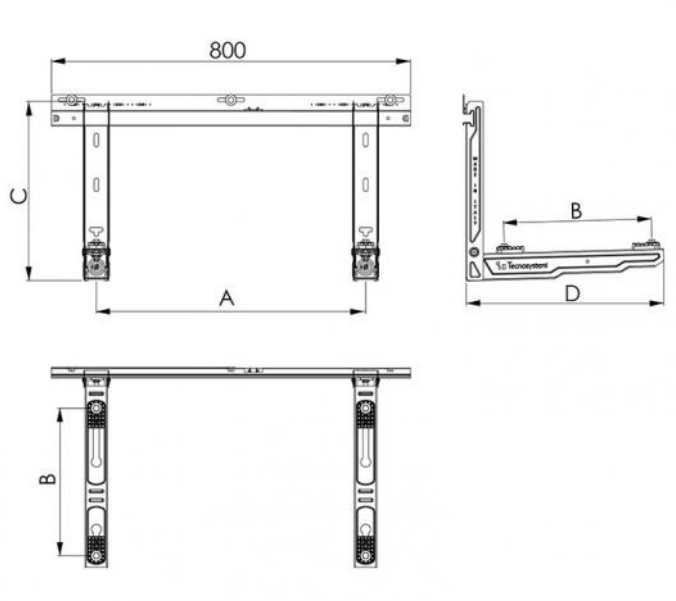
bracket with graduated bar

- cod. SCD500414 - cod. SCD500415 - cod. SCD500416
- cod. SCD500417 - cod. SCD500341



TECHNICAL SPECIFICATIONS:

- Electrogalvanised sheet
- External polyester painting
- Graduated wall bracket with spirit level included
- Adjustable rear swivel feet
- Ready for condensate drain pan
- "NO-SHOCK" vibration dampers supplied
- Wall mounting fixing plugs
- Pre-assembled bracket



DIMENSIONS

CODE	A [mm]	B [mm]	C [mm]	D [mm]	LOAD CAPACITY [kg]
SCD500414	350/750	180/330	400	440	110
SCD500415	350/750	230/390	400	500	110
SCD500416	350/750	270/450	400	560	110
SCD500417	350/750	340/540	400	650	100

Vibration damping kit for brackets Giotto, Leonardo and Michelangelo

The vibration damping kit is designed to dampen vibrations, shocks or noise generated by external air conditioning units or heat pumps.

The kit is suitable for use with the Brackets Model GIOTTO, LEONARDO and MICHELANGELO.

KIT CONTENTS:

- Vibration damper for roof bracket (3 pieces)
- O-ring OR4106 (2 pieces)

VIBRATION DAMPING TECHNICAL SPECIFICATIONS:

- Material: polyurethane
- Hardness: 85 ± 3 Shore A
- Elongation at break / dry 300%

TECHNICAL SPECIFICATIONS O-RING:

- Material: NBR
- Hardness: 70 ± 5 Shore A

ITEMS

CODE	DESCRIPTION
SCD500414	WALL BRACKET "MICHELANGELO" - 440L
SCD500415	WALL BRACKET "MICHELANGELO" - 500L
SCD500416	WALL BRACKET "MICHELANGELO" - 560L
SCD500417	WALL BRACKET "MICHELANGELO" - 650L
SCD500341	ANTI-VIBRATION KIT FOR WALLBAR - SUITABLE FOR WALL-BRACKET GIOTTO/LEONARDO/MICHELANGELO

All rights relating to this publication are the exclusive property of Tecnosystemi SpA.
 Tecnosystemi SpA reserves the right to make changes at any time and without notice, for technical or commercial needs.

