

TSTT 140 A

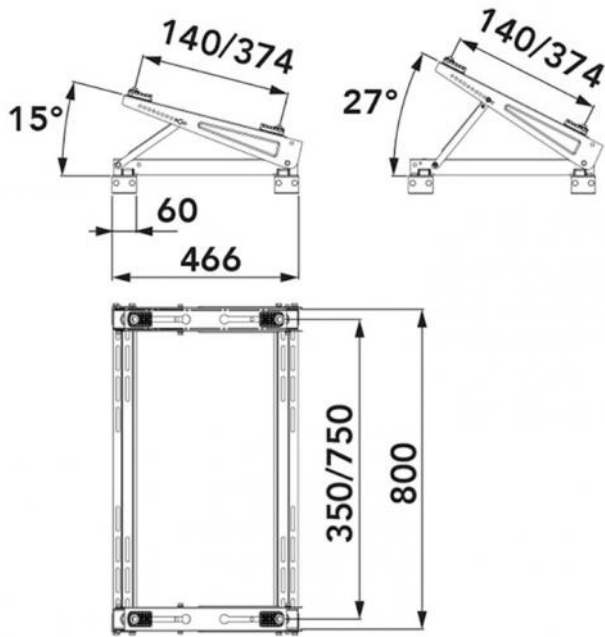
transverse roof bracket for crimped metal sheet

- cod. SCD500109



TECHNICAL SPECIFICATIONS:

- Made of electro-galvanised metal sheet
- Adjustable tilt from 14° to 27°
- External polyester painting RAL 9002
- “NO-SHOCK” sliding vibration dampers supplied
- With #4 clamp mounts for stainless steel standing seam sheets



DIMENSIONS

CODE	LOAD CAPACITY [kg]
SCD500109	140

PACK COMPLETE WITH

- “No-Shock” sliding vibration dampers
- 4 clamp supports for crimped metal sheet in stainless steel
- 1 instruction booklet

ITEMS

CODE	DESCRIPTION
SCD500109	ROOF BRACKET TSTT-140A FOR METAL SHEET ROOFS

All rights relating to this publication are the exclusive property of Tecnosystemi SpA.
 Tecnosystemi SpA reserves the right to make changes at any time and without notice, for technical or commercial needs.