

# TSTT 140 T

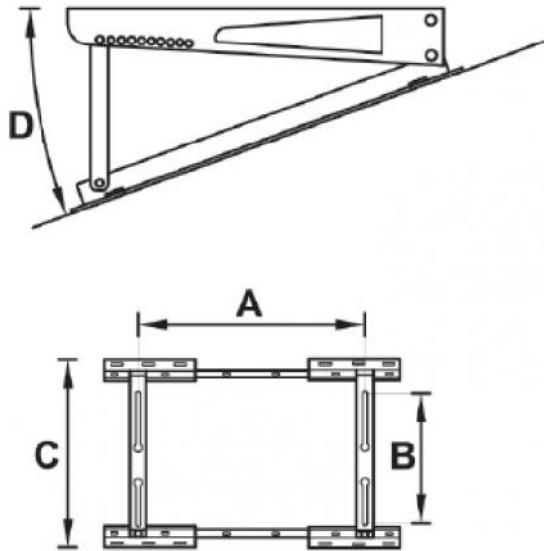
## telescopic transverse roof bracket

- cod. 11100005



## TECHNICAL SPECIFICATIONS:

- Made of electro-galvanised metal sheet
- Adjustable tilt from 14° to 27°
- External polyester painting RAL 9002
- Telescopic bar
- “NO-SHOCK” sliding vibration dampers supplied
- Fixing plugs with chain
- Rubber sliding feet
- Adaptable to all machines on the market
- Suitable for all roofs



## DIMENSIONS

CODE	A [mm]	B [mm]	C [mm]	D [mm]	LOAD CAPACITY [kg]
11100005	130 - 600	140 - 370	500	14° - 27°	140

## PACK COMPLETE WITH

- non-slip rubber feet
- “No-Shock” sliding vibration dampers
- wall mount dowels set with chain
- 1 instruction booklet

## ITEMS

CODE	DESCRIPTION
11100005	ROOF BRACKET TSTT-140 TELESCOPIC

All rights relating to this publication are the exclusive property of Tecnosystemi SpA.  
 Tecnosystemi SpA reserves the right to make changes at any time and without notice, for technical or commercial needs.